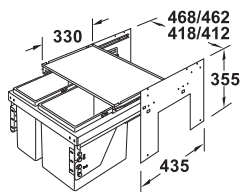


# Waste/Recycling Bins Behind Fronts For screw fixing to side panel

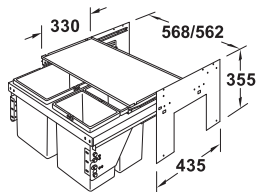
→ 2 x 11 litres / 1 x 17 and 1 x 11 litres / 2 x 17 litres / 1 x 17 and 2 x 8 litres



- |    |    |   |   |
|----|----|---|---|
| 11 | 11 | > For cabinet width:  | 450, 500 or 600 mm  |
| 17 | 11 | > Internal installation depth:  | Min. 450 mm   |
| 17 | 17 | > Type of pull out:   | Full extension with soft closing and self closing mechanisms, with extension stop                     |
| 17 | 8  | > Material:   | Bin holder: Steel, bins: Plastic, anthracite  |
| 17 | 8  | > Version:  | With lid storage system (waste bins), extending, with non-slip mat, can be cut to size, 3D adjustable |
|    |    | > Side panel thickness:   | 16–19 mm  |
|    |    | > Load bearing capacity:  | 50 kg   |
|    |    | > Installation:   | For screw fixing to side panel, easy and fast mounting with metal installation template               |
|    |    | > Low frame depth of only 330 mm (rails 435 mm) provides plenty of space for waste trap or other under unit devices |   |

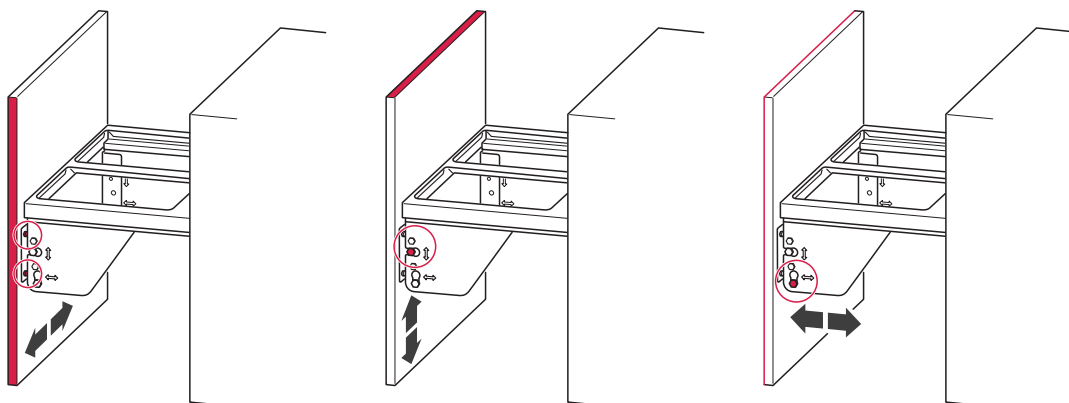


Two compartment waste bin

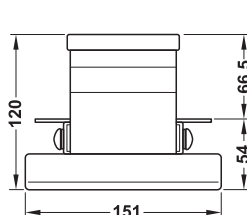
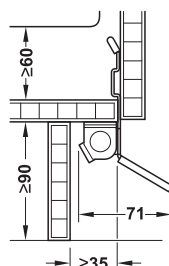
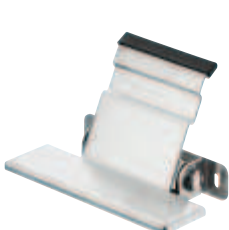


Three compartment waste bin

### 3D adjustment facility



### Foot pedal



- |                        |   |
|------------------------|---|
| > Area of application: | For pull outs with self closing and soft closing mechanisms, can be retrofitted |
| <b>Material</b>        | Stainless steel   |
| <b>Cat. No.</b>        | 503.02.999  |
| Packing: 1 piece       |   |

For cabinet width mm	Capacity l	Cat. No.
<b>Two compartment waste bin</b>		
450	2 x 11	503.76.311
500	1 x 17 and 1 x 11	503.76.312
600	2 x 17	503.76.314
<b>Three compartment waste bin</b>		
600	1 x 17 and 2 x 8	503.76.313
<b>Replacement bin</b>		
225 x 152 x 295 mm (LxWxH) plastic, anthracite	8	503.76.990
304 x 152 x 295 mm (LxWxH) plastic, anthracite	11	503.76.991
304 x 225 x 295 mm (LxWxH) plastic, anthracite	17	503.76.992

Packing: 1 piece

