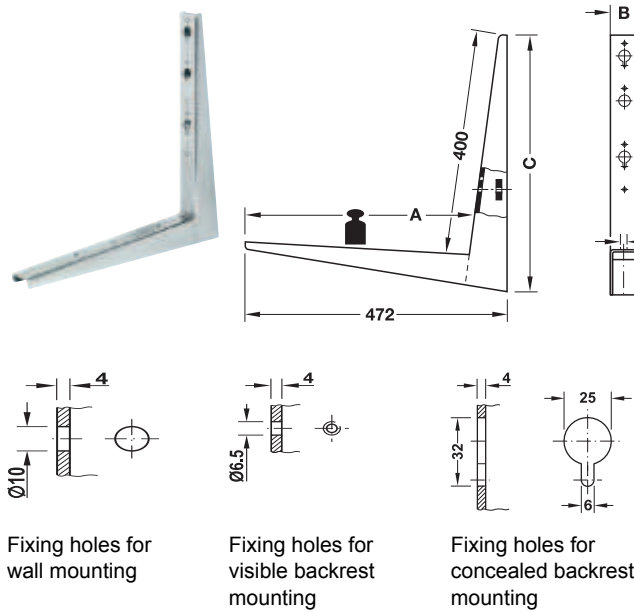


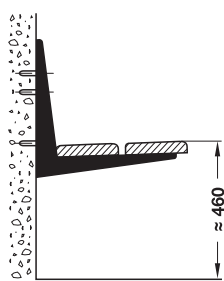
Hebgo Bracket for benches with load bearing capacity of 500 kg per pair

Rigid



- > Area of application: For benches
- > Material: Steel
- > Version: Rigid

Installation



Mark drilling points using provided marking bolt.

Supplied with

- 1 Bracket
- 1 Marking bolt
- 1 Set of installation instructions

Dim. A mm	Dim. B mm	Dim. C mm	Bright galvanized
410	48	460	287.47.971

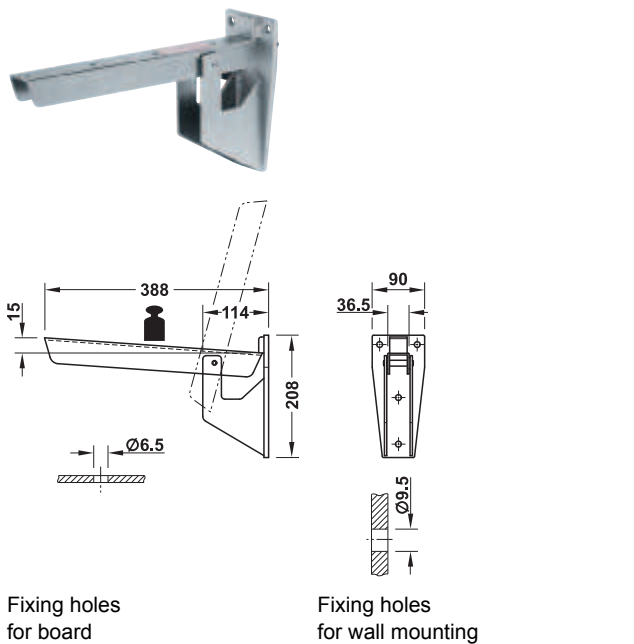
Packing: 1 piece

Note

Max. distance between two shelf supports: 850 mm.
 The specified load bearing capacity applies only with even load distribution (surface load) and proper and reliable attachment to the wall.

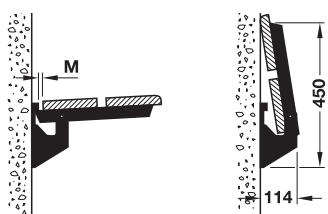
Hebgo Bracket for benches with load bearing capacity of 500 kg per pair

Folding



- > Area of application: For benches
- > Material: Steel
- > Version: With and without pull-in spring

Installation



Note dimension M when installing to guarantee functionality.

- > Dimension M minimum value: 17 mm
- > Seat thickness: 30 mm
- > Effective length of support arm: 380 mm

	Hot-galvanized
Without pull-in spring	287.47.917
With pull-in spring	287.47.920

Packing: 1 piece

Note

Max. distance between two shelf supports: 700 mm.
 The specified load bearing capacity applies only with even load distribution (surface load) and proper and reliable attachment to the wall.

DGH-M 2021, HDE-en, 1/120; Dimensional data not binding. We reserve the right to alter specifications without notice.