

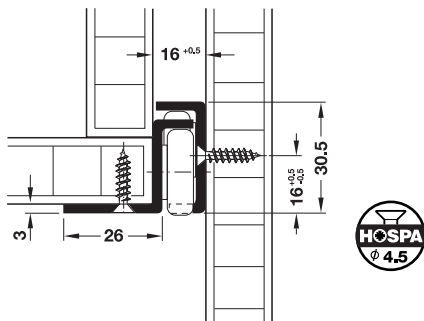
Single extension

Load bearing capacity up to 100 kg

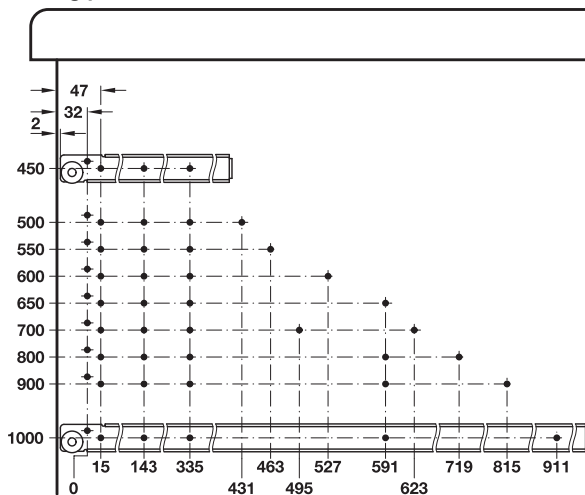


- > Version: With stay closed feature for holding in closed position and steel return stop, guided by: 4 ball bearing mounted steel rollers
- > Material: Steel
- > Finish: Galvanized
- > Dim.: Max. drawer width = internal cabinet width – 32 mm
- > Installation: At drawer, surface mounted

Installation



Drilling pattern



Installation length L mm	Extension length AL mm	Cat. No.
450	345	421.08.458
500	395	421.08.501
550	445	421.08.556
600	495	421.08.609
650	545	421.08.654
700	565	421.08.707
800	655	421.08.805
900	745	421.08.903
1000	835	421.08.109

Packing: 1 pair

Information

► MB 9.265

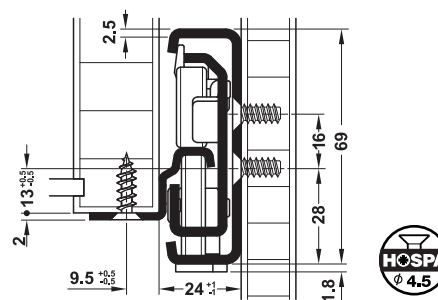
Full extension

Load bearing capacity up to 200 kg

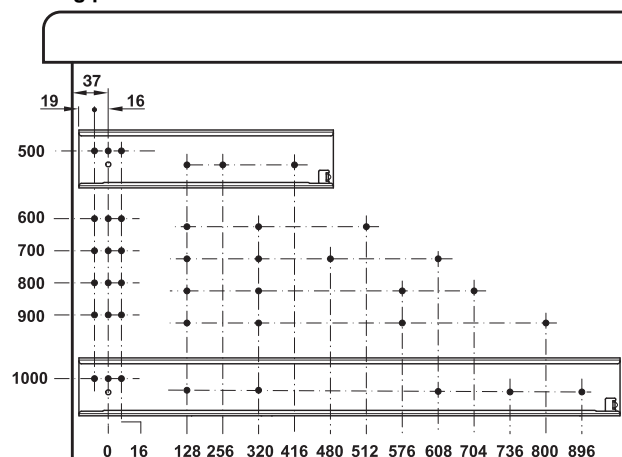


- > Version: Self-closing, excellent side stability provided by automatic guidance on both sides and special design of centre profile and guide rollers, optimum running properties provided by an integrated progressive drive, hook-off protection integrated in centre rail, guided by: 6 friction bearing mounted plastic rollers
- > Material: Runners: Steel, rollers: Plastic (POM)
- > Finish/colour: Runner: Galvanized, rollers: White
- > Dim.: Max. drawer width = internal cabinet width – 48 mm
- > Installation: At drawer, surface mounted

Installation



Drilling pattern



Installation length L mm	Extension length AL mm	Cat. No.
500	485	421.76.951
600	585	421.76.961
700	685	421.76.971
800	785	421.76.981
900	885	421.76.991
1000	985	421.76.996

Packing: 1 pair



9

Roller Runners