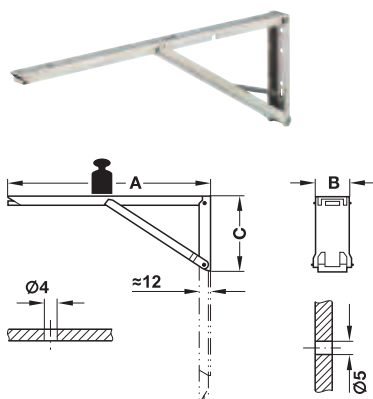


### Bracket

Folding



Mounting holes for plate

Mounting holes for wall

> Version: With locking mechanism and spring-loaded support

#### Functionality

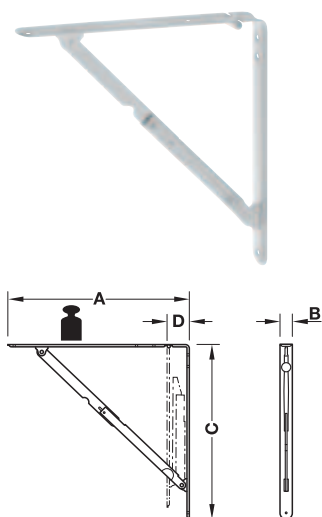
Press integral release button to fold down.

Material	Finish	Dim. A mm	Dim. B mm	Dim. C mm	Packing pieces	Cat. No.
Steel	Yellow chromated	250	25	85	2 or 40	287.41.906
		380	25	120	2 or 10	287.41.915
Stainless steel	–	250	25	85	1 or 40	287.41.600



### Bracket with load bearing capacity of 30–60 kg per pair

Folding



> Load bearing capacity: Per piece, tested to DIN EN 16337:2013-08 with 1.7 kg plate for impact test, i.e. double load bearing capacity with surface load and 2 supports, shelf size must suit the respective bracket depth

> Material: Steel

> Version: With locking mechanism

#### Functionality

To raise bracket lift support arm and allow to engage.

To fold down bracket lift support arm and push locking arm backwards.

Load bearing capacity kg	Dim. A mm	Dim. B mm	Dim. C mm	Dim. D mm	Screw hole Ø	White coated, similar to RAL 9003
15	210	24	200	40	5	287.40.740
25	320	30	310	45	5	287.40.741
30	430	30	410	55	5	287.40.742

Packing: 2 pieces

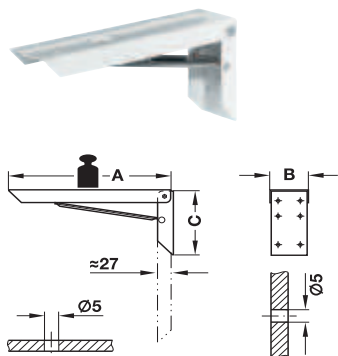
#### Note

Max. distance between two brackets: 600 mm.

The specified load bearing capacity applies only with even load distribution (surface load) and proper and reliable attachment to the wall.

### Bracket with load bearing capacity of 100 kg per pair

Folding



Fixing holes for top mounting

Fixing holes for wall mounting

> Material: Steel

> Load bearing capacity: 50 kg per piece, tested to DIN EN 16337:2013-08 with 2.5 kg plate for impact test, i.e. 100 kg load bearing capacity with surface load and 2 supports

> Colour: White

> Finish: Support: Zinc plated

> Version: With locking mechanism

#### Functionality

To raise bracket lift support arm and allow to engage.

To fold down bracket slightly lift support arm and release locking mechanism.

Dim. A mm	Dim. B mm	Dim. C mm	White coated
200	61	115	287.54.721
250	61	115	287.54.726
300	61	115	287.54.731

Packing: 2 pieces

#### Note

Max. distance between two brackets: 600 mm.

The specified load bearing capacity applies only with even load distribution (surface load) and proper and reliable attachment to the wall.