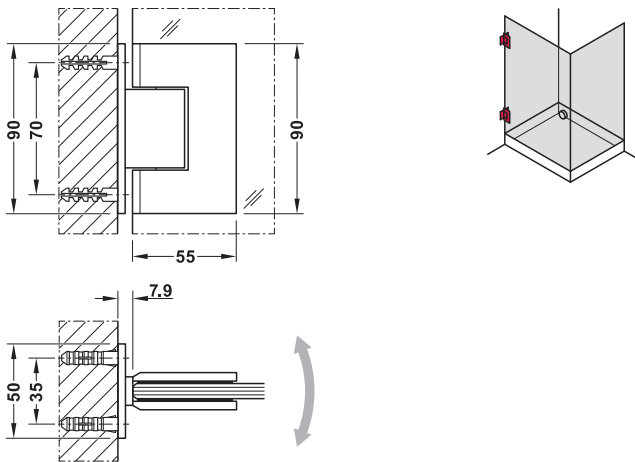
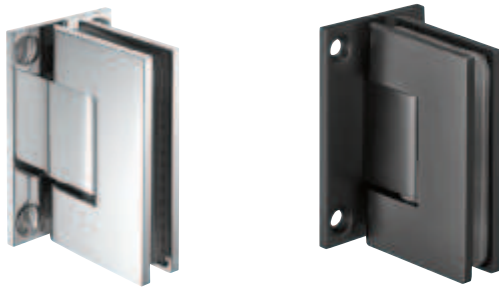


Shower door hinge, straight



- > Area of application: For wall-glass connection
- > For glass thickness: 8–12 mm
- > Material: Brass
- > Version: With interlocking function on both sides in open position
- > Mounting: For DIN left and DIN right hand use
- > Load bearing capacity: Max. 45 kg (when using 2 shower door hinges)
- > Door height: ≤2,400 mm
- > Door width: ≤800 mm
- > Opening angle: 90°, on both sides
- > Locking function: From an opening angle of approx. 85°
- > Installation: For screw fixing, glass cut-out required

Note

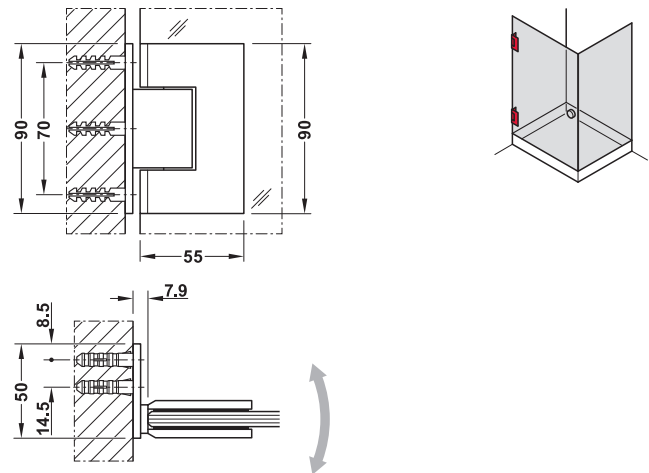
Dimensions for glass preparation see Häfele online shop www.hafele.com

Finish/colour	Cat. No.
Polished chrome plated	981.51.004
Graphite black	981.51.003

Order reference

Glass door seal not supplied. Please order separately.

Shower door hinge, straight



- > Area of application: For wall-glass connection
- > For glass thickness: 8–12 mm
- > Material: Brass
- > Version: With interlocking function on both sides in open position
- > Mounting: For DIN left and DIN right hand use
- > Load bearing capacity: Max. 45 kg (when using 2 shower door hinges)
- > Door height: ≤2,400 mm
- > Door width: ≤800 mm
- > Opening angle: 90°, on both sides
- > Locking function: From an opening angle of approx. 85°
- > Installation: For screw fixing, glass cut-out required

Note

Dimensions for glass preparation see Häfele online shop www.hafele.com

Finish/colour	Cat. No.
Polished chrome plated	981.02.081
Graphite black	981.02.083

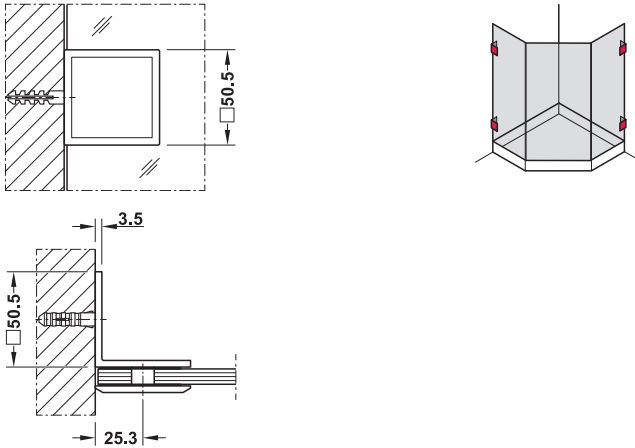
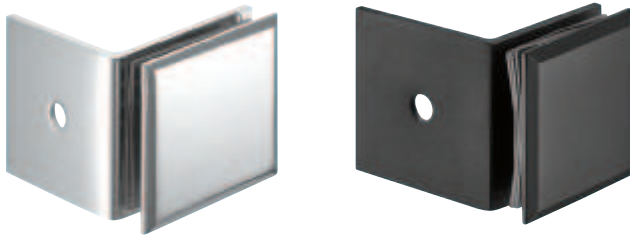
Order reference

Glass door seal not supplied. Please order separately.

Glass door seal	▶ AH 9.36
Stabilising rod 90°, for shower walls	▶ AH 9.35

Glass door seal	▶ AH 9.36
Stabilising rod 90°, for shower walls	▶ AH 9.35

Glass clamp, with bracket



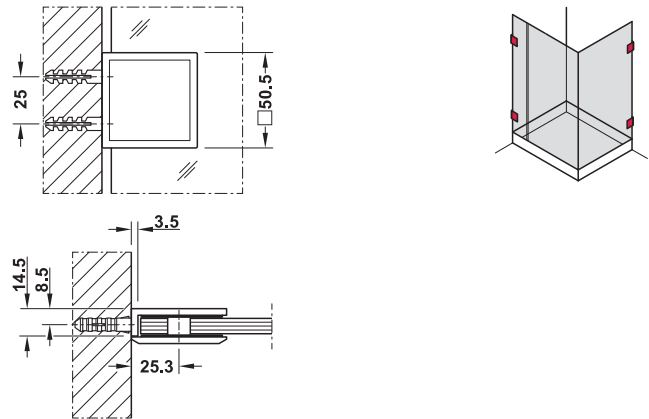
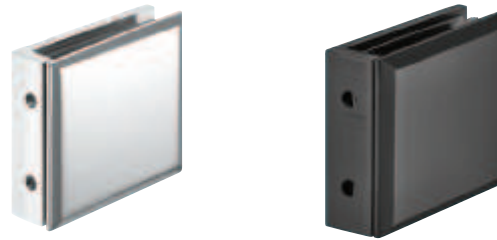
- > Area of application: For wall-glass connection
- > For glass thickness: 8–12 mm
- > Material: Brass
- > Angle: 90°
- > Mounting: For left and right hand use
- > Installation: For screw fixing, glass cut-out required

Note

Dimensions for glass preparation see Häfele online shop www.hafele.com

Finish/colour	Cat. No.
Polished chrome plated	981.02.254
Graphite black	981.02.253

Glass clamp, straight



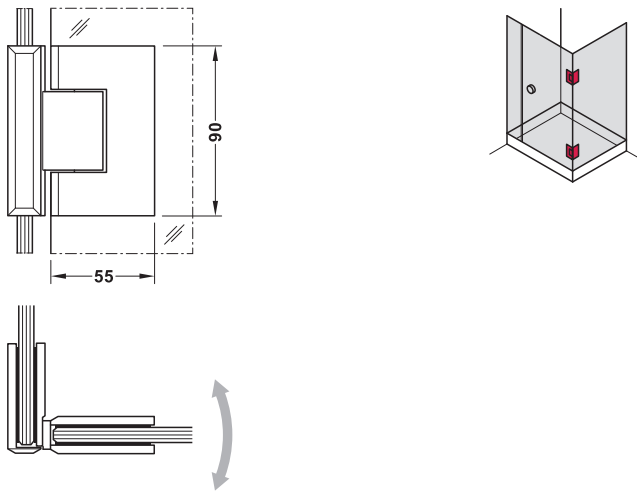
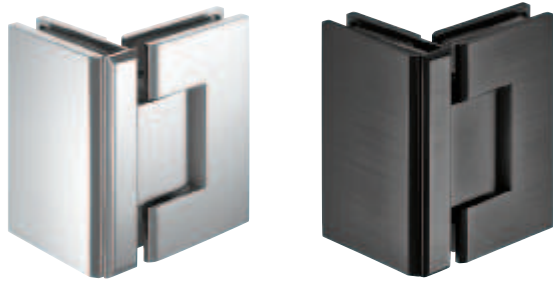
- > Area of application: For wall-glass connection, concealed wall mounting
- > For glass thickness: 8–12 mm
- > Material: Brass
- > Angle: 90°
- > Mounting: For left and right hand use
- > Installation: For screw fixing, glass cut-out required

Note

Dimensions for glass preparation see Häfele online shop www.hafele.com

Finish/colour	Cat. No.
Polished chrome plated	981.02.244
Graphite black	981.02.243

Shower door hinge, 90°



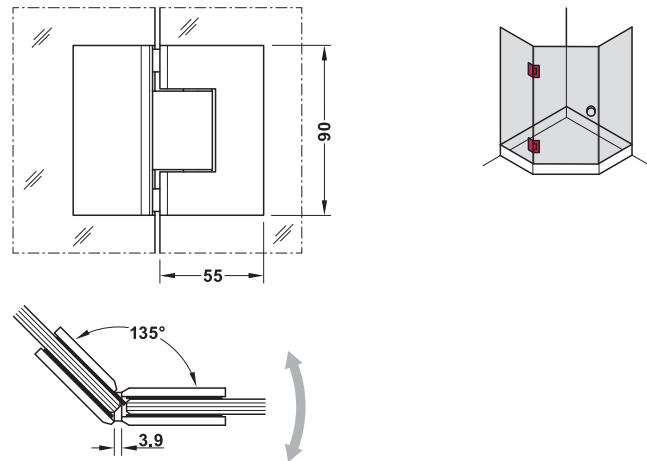
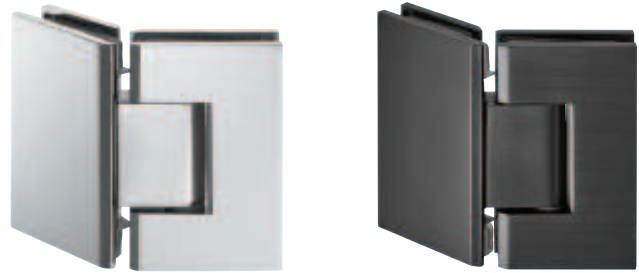
- > Area of application: For glass-glass connection, for 90° glass front
- > For glass thickness: 8–12 mm
- > Material: Brass
- > Version: With interlocking function on both sides in open position
- > Mounting: For DIN left and DIN right hand use
- > Load bearing capacity: Max. 45 kg (when using 2 shower door hinges)
- > Door height: ≤2,400 mm
- > Door width: ≤800 mm
- > Opening angle: 90°, on both sides
- > Locking function: From an opening angle of approx. 85°
- > Installation: For screw fixing, glass cut-out required

Note

Dimensions for glass preparation see Häfele online shop www.hafele.com

Finish/colour	Cat. No.
Polished chrome plated	981.51.014
Graphite black	981.51.013

Shower door hinge, 135°



- > Area of application: For glass-glass connection, for 135° glass front
- > For glass thickness: 8–12 mm
- > Material: Brass
- > Version: With interlocking function on both sides in open position
- > Mounting: For DIN left and DIN right hand use
- > Load bearing capacity: Max. 45 kg (when using 2 shower door hinges)
- > Door height: ≤2,400 mm
- > Door width: ≤800 mm
- > Opening angle: 90°, on both sides
- > Locking function: From an opening angle of approx. 85°
- > Installation: For screw fixing, glass cut-out required

Note

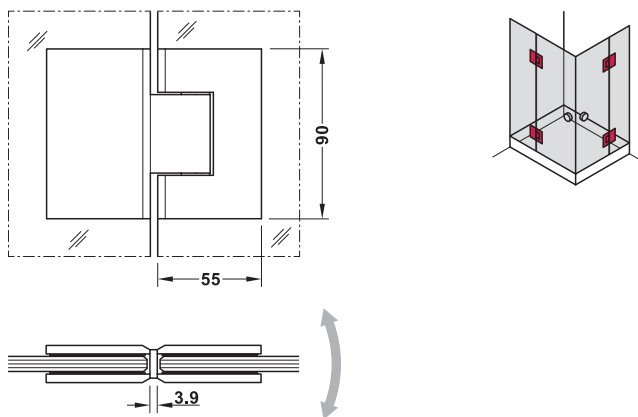
Dimensions for glass preparation see Häfele online shop www.hafele.com

Finish/colour	Cat. No.
Polished chrome plated	981.51.021
Graphite black	981.51.023

Glass door seal	▶ AH 9.36
Stabilising rod 90°, for shower walls	▶ AH 9.35

Glass door seal	▶ AH 9.36
Stabilising rod 45°, for shower walls	▶ AH 9.35

Shower door hinge, 180°



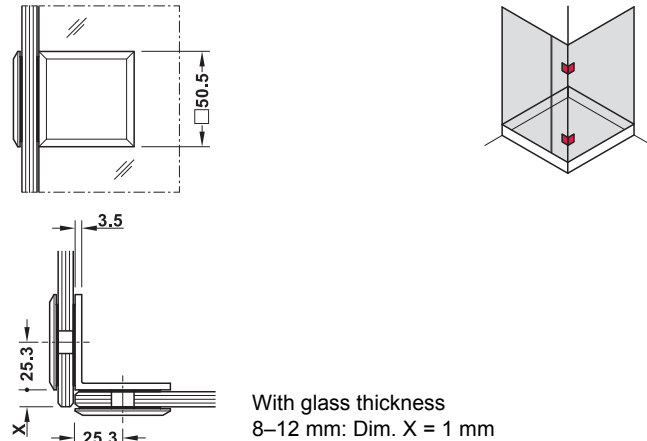
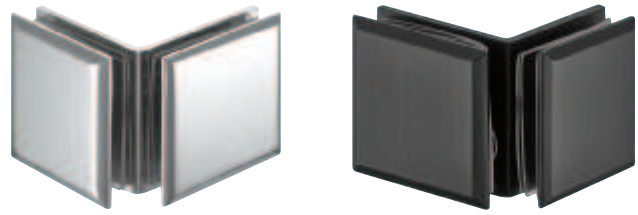
- > Area of application: For glass-glass connection, for 180° glass front
- > For glass thickness: 8–12 mm
- > Material: Brass
- > Version: With interlocking function on both sides in open position
- > Mounting: For DIN left and DIN right hand use
- > Load bearing capacity: Max. 45 kg (when using 2 shower door hinges)
- > Door height: ≤2,400 mm
- > Door width: ≤800 mm
- > Opening angle: 90°, on both sides
- > Locking function: From an opening angle of approx. 85°
- > Installation: For screw fixing, glass cut-out required

Note

Dimensions for glass preparation see Häfele online shop www.hafele.com

Finish/colour	Cat. No.
Polished chrome plated	981.51.031
Graphite black	981.51.033

Glass clamp, 90°



With glass thickness 8–12 mm: Dim. X = 1 mm

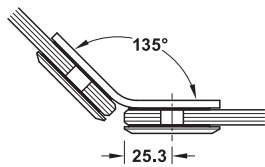
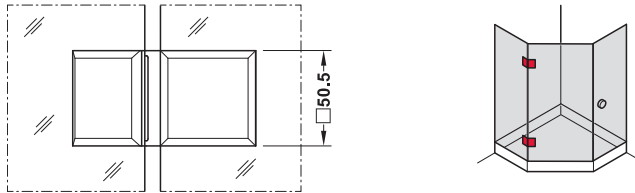
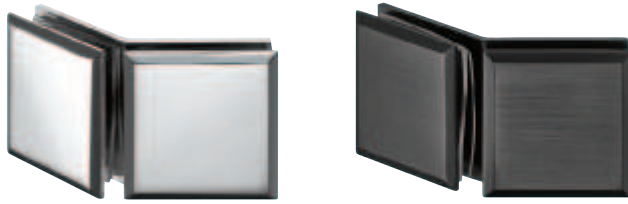
- > Area of application: For glass-glass connection, for 90° glass front
- > For glass thickness: 8–12 mm
- > Material: Brass
- > Angle: 90°
- > Mounting: For left and right hand use
- > Installation: For screw fixing, glass cut-out required

Note

Dimensions for glass preparation see Häfele online shop www.hafele.com

Finish/colour	Cat. No.
Polished chrome plated	981.02.264
Graphite black	981.02.263

Glass clamp, 135°



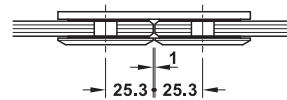
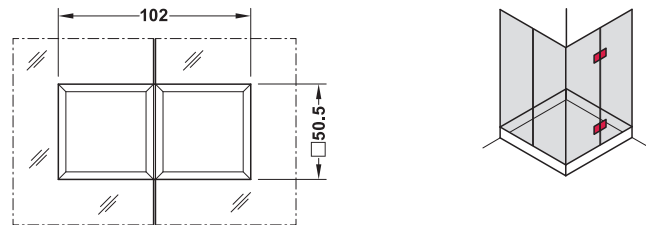
- > Area of application: For glass-glass connection, for 135° glass front
- > For glass thickness: 8–12 mm
- > Material: Brass
- > Angle: 135°
- > Mounting: For left and right hand use
- > Installation: For screw fixing, glass cut-out required

Note

Dimensions for glass preparation see Häfele online shop www.hafele.com

Finish/colour	Cat. No.
Polished chrome plated	981.02.091
PVD coated, graphite black	981.02.093

Glass clamp, 180°



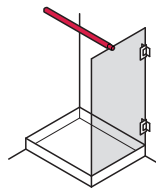
- > Area of application: For glass-glass connection, for 180° glass front
- > For glass thickness: 8–12 mm
- > Material: Brass
- > Angle: 180°
- > Mounting: For left and right hand use
- > Installation: For screw fixing, glass cut-out required

Note

Dimensions for glass preparation see Häfele online shop www.hafele.com

Finish/colour	Cat. No.
Polished chrome plated	981.02.274
PVD coated, graphite black	981.02.273

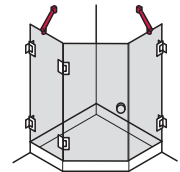
**Stabilising rod 90°,
 for shower walls**



- > For glass thickness: 8–12 mm
- > Material: Brass
- > Length: 1,050 mm
- > Diameter: Rod: 20 mm,
end cap: 28 mm
- > Installation: For screw fixing to the wall,
glass is held by fixing clamps

Finish/colour	Cat. No.
Polished chrome plated	981.02.061
PVD coated, graphite black	981.02.063

**Stabilising rod 45°,
 for shower walls**



- > For glass thickness: 8-12 mm
- > Material: Brass
- > Length: 400 mm
- > Diameter: Rod: 20 mm,
end cap: 28 mm
- > Installation: For screw fixing to the wall,
glass is held by fixing clamps

Finish/colour	Cat. No.
Polished chrome plated	981.02.071
PVD coated, graphite black	981.02.073

DGH-B-INT 2019, HDE-en, 12/18; Dimensional data not binding. We reserve the right to alter specifications without notice.