

## Single extension

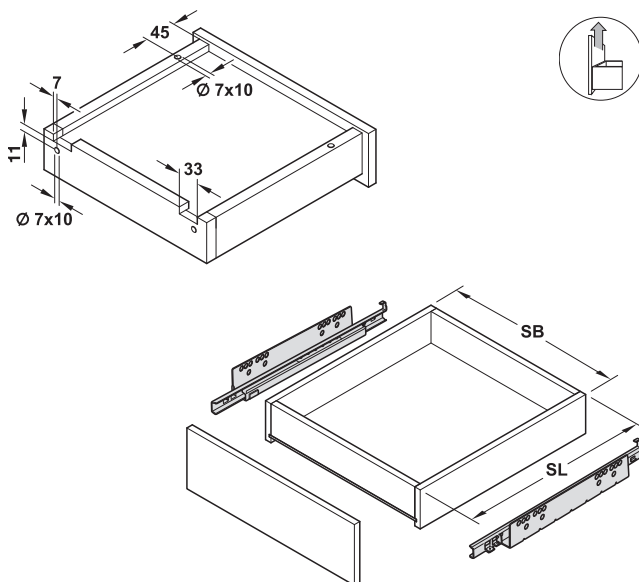
Load bearing capacity up to 25 kg,  
pin installation, with self closing mechanism or  
soft and self closing mechanism or Push



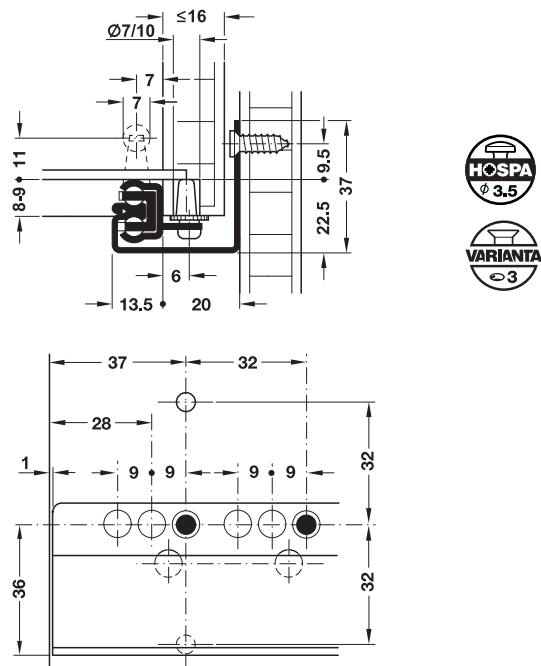
- > Adjustment facility: Max. height adjustment +3 mm
- > Material: Steel
- > Finish: Zinc plated
- > Dim.: Max. drawer width SB = internal cabinet width – 40 mm + 2 x drawer side thickness
- > Soft closing with air dampers

### Note

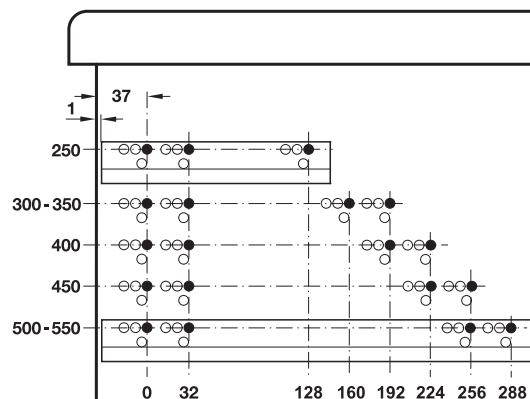
The single extension runners can be replaced by full extension runners with load bearing capacity of up to 30 kg and with pin installation.



## Installation



## Drilling pattern



Installation length L mm	Drawer length SL mm	With self closing mechanism	With soft and self closing mechanism	With Push, without self closing and soft closing mechanisms
252	250	421.14.925	421.14.725	421.14.825
302	300	421.14.930	421.14.730	421.14.830
327	325	421.14.932	421.14.732	421.14.832
352	350	421.14.935	421.14.735	421.14.835
402	400	421.14.940	421.14.740	421.14.840
452	450	421.14.945	421.14.745	421.14.845
502	500	421.14.950	421.14.750	421.14.850
552	550	421.14.955	421.14.755	421.14.855

Packing: 1 or 10 pairs

Information

► MB 9.265