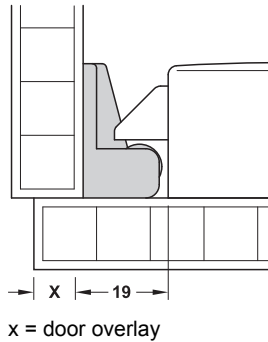
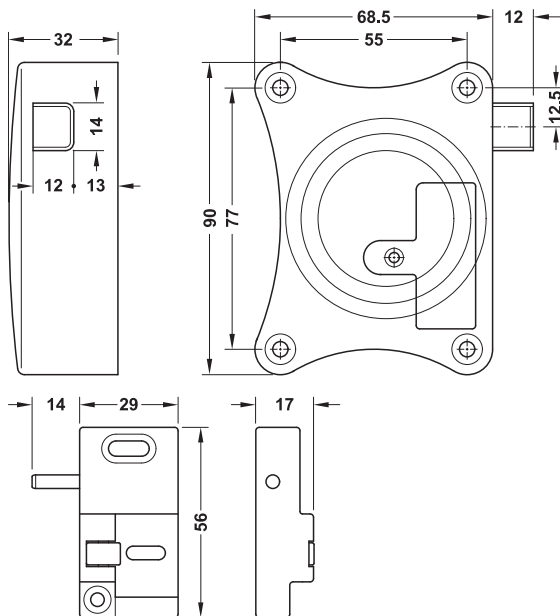


Locker lock, battery-operated



5

Locker Locks



- > Area of application: Battery-operated, intelligent locker lock for indoor use: For wardrobes, lockers and compartment cabinets with wooden doors or for drawers
- > Material: Plastic, impact resistant
- > Colour: Grey
- > Mounting: Left, right or drawer version

Technical data

Degree of protection	IP40
Number of possible keys	2 master keys and 50 user cards
Operating temperature	-5 to +70 °C
Storage temperature	-20 to +85 °C
Salt spray test	>96 h

Multi-user mode "Free choice of locker"

Every user key can lock an open locker. The user key is then programmed in such way that it can only unlock this locker again. Unlocking the locker clears the allocation of the key again.

Regular-user mode "Fixed locker allocation":

One or several (optional) user keys are fixed allocated to one or several (optional) lockers for locking and unlocking.

Emergency opening with master key

Note

This product cannot be combined/extended with Dialock components.

Battery

Required battery change/low battery (CR 123) is indicated by an acoustic signal.

Supplied with

- 1 locker lock
 - 1 user card
 - 1 spring loaded strike restraint (striking plate)
 - 1 sticker, for identifying the lock on the front
- Operating and installation instructions, mounting template

Version	Cat. No.
Locker lock, battery-operated	231.07.070

Packing: 1 piece

Order reference

Locker lock only for use with user card and master key. Master key and CR 123 battery not supplied, please order separately.

User card



- > Area of application: Supplementary to/replacement for supplied user card

	Cat. No.
User card	231.07.171

Packing: 1 piece

Master key



- > Area of application: For assigning the user card and for emergency opening

	Cat. No.
Master key	231.07.170

Packing: 1 piece

Battery



- > CR123 3V photo lithium battery

	Cat. No.
Battery	910.54.950

Packing: 1 piece