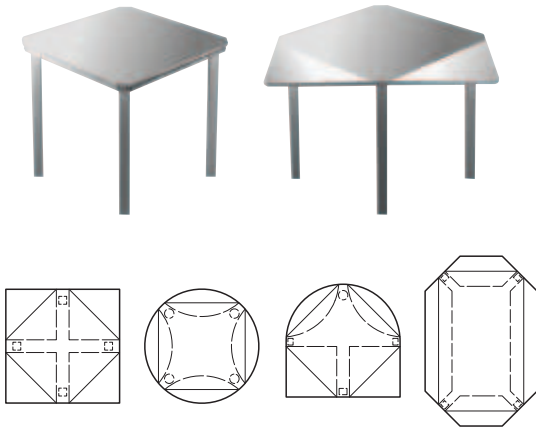


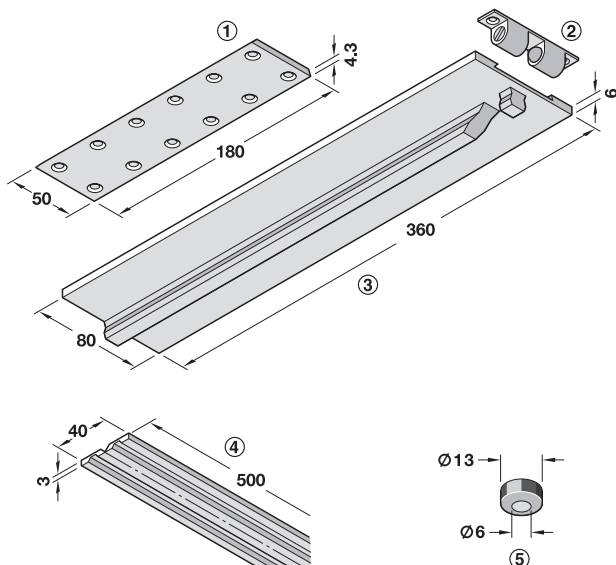
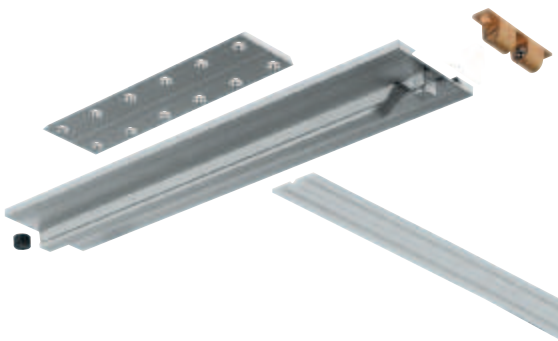
TKB Drop leaf table fitting



- > Area of application: For extending the table top by folding out
- > Installation: For screw fixing

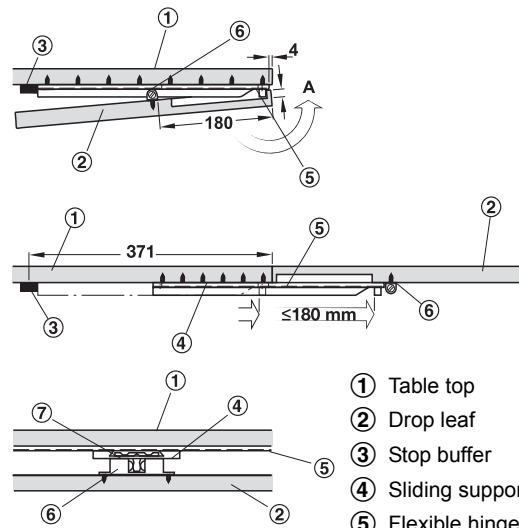
Supplied with

- 1 TKB drop leaf table fitting
- 1 sliding support
- 1 guide profile
- 2 flexible hinges
- 1 double ball catch
- 1 stop buffer



- ① Guide profile
- ② Double ball catch
- ③ Sliding support
- ④ Flexible hinge
- ⑤ Stop buffer

Installation

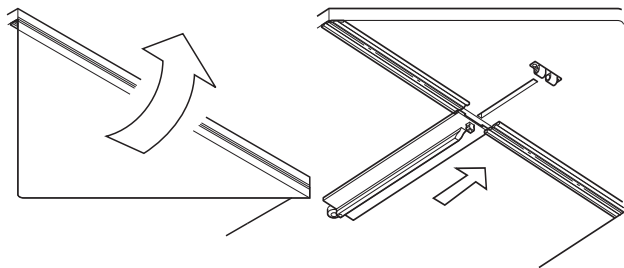


- ① Table top
  - ② Drop leaf
  - ③ Stop buffer
  - ④ Sliding support
  - ⑤ Flexible hinge
  - ⑥ Double ball catch, serves as stop
  - ⑦ Guide profile
- A Groove: 14 mm wide, 12 mm deep

Sample measurements

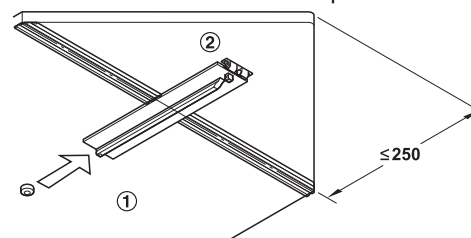
- > Depth approx. 250 mm
- > Install one fitting at width intervals of approx. 600 mm
- > Load bearing capacity approx. 20 kg

Functionality

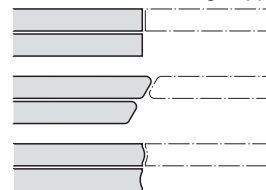


The drop leaf is folded away and held by the ball catch.

The drop leaf is raised and the sliding support must be pulled out.



The extended sliding support supports the drop leaf.



- ① Table top
- ② Drop leaf

Possible table edge profiles

	Cat. No.
Drop leaf table fitting	642.40.008
Packing: 1 set	

DGH-M-INT 2020, HDE-en, 05/19; Dimensional data not binding. We reserve the right to alter specifications without notice.