

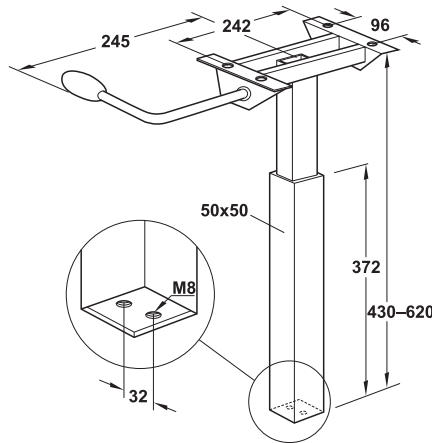
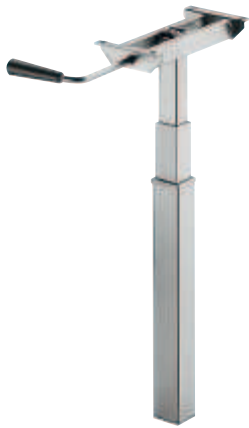
Table lift base

- > Material: Steel
- > Colour: Light grey, RAL 9022
- > Height adjustment: With crank 190 mm

Note

The table top height can be adjusted continuously by operating the crank with one hand. The built-in gas loaded spring provides convenient height adjustment. Returning the crank to its original position locks the lift at any height.

→ Single column lift



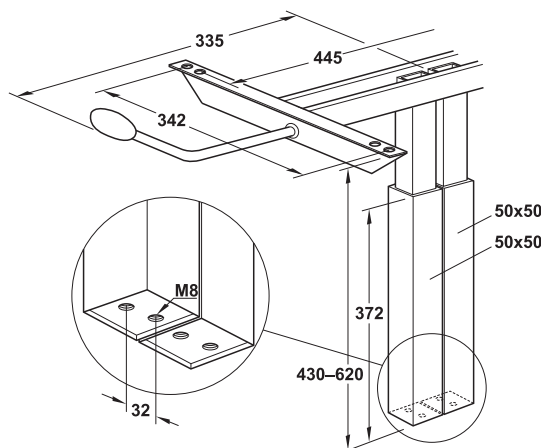
Note

Max. table top dim. 700 x 700 mm

Lifting power kg	Cat. No.
20	638.50.500

Packing: 1 piece

→ Double column lift



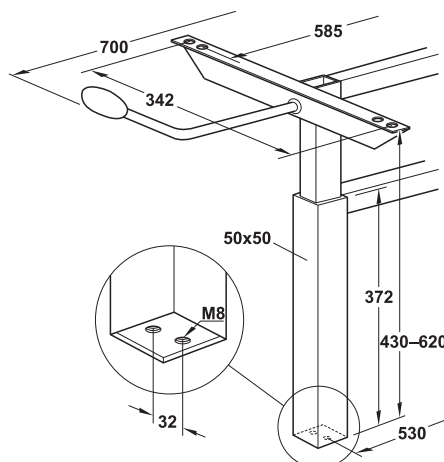
Note

Max. table top dim. 1,300 x 800 mm

Lifting power kg	Cat. No.
20	638.50.551
40	638.50.553

Packing: 1 piece

→ Two column lift



Note

Max. table top dim. 1,300 x 800 mm

Lifting power kg	Cat. No.
20	638.56.521
40	638.56.523

Packing: 1 piece

Supplied with

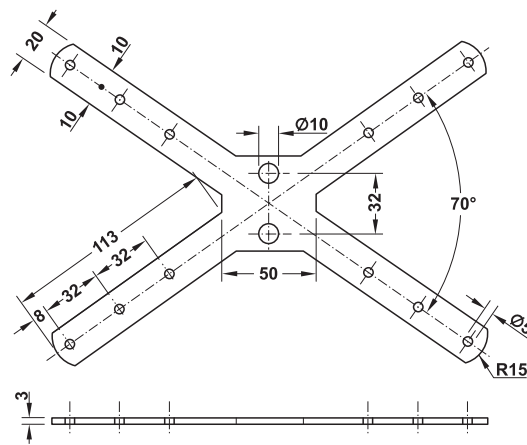
- 1 Lift base
- 2 Screw-on supports, separate/not pre-mounted
- Fixing material
- Installation instructions

Foot plate

For stabilising the table lift bases

> Material: Steel

→ For single column lift

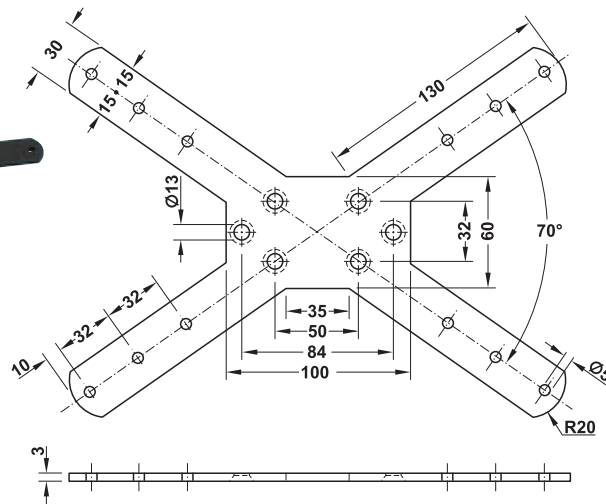
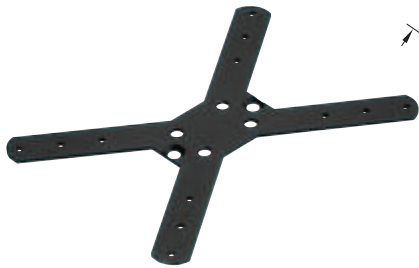


> Finish/colour: Light grey, RAL 9022

Version	Cat. No.
Cross-shaped	638.50.590

Packing: 1 piece

→ For double column lift

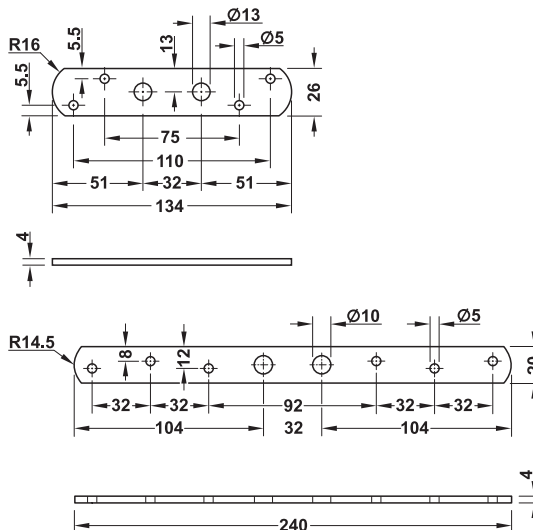
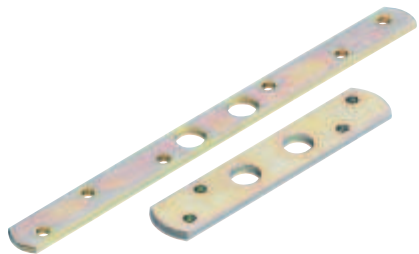


> Finish/colour: Light grey, RAL 9022

Version	Cat. No.
Cross-shaped	638.50.591

Packing: 1 piece

→ For two-column lift



> Finish/colour: Yellow chromated

Length mm	Cat. No.
134	638.56.590
240	638.56.591

Packing: 1 set

DGH-M 2017, HDE-en, 10/16; Dimensional data not binding. We reserve the right to alter specifications without notice.

