

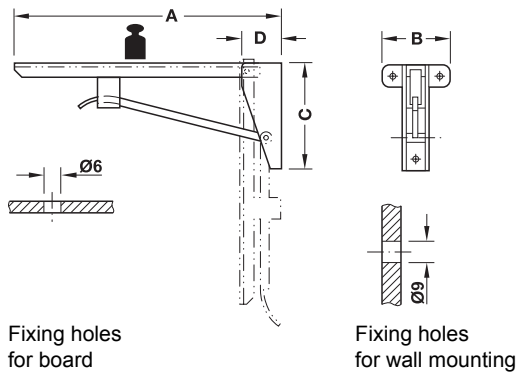


Hebgo Bracket with load bearing capacity of 150 kg per pair

Folding



- > Material: Steel
- > Load bearing capacity: 75 kg per piece, tested to DIN EN 16337:2013-08 with 1.7 kg plate for impact test, i.e. 150 kg load bearing capacity with surface load and 2 supports, shelf size must suit the respective bracket
- > Version: With locking mechanism



Functionality

To raise bracket lift support arm and allow to engage automatically.
To fold down bracket lift support arm and release locking mechanism.

Note

Tested distance between two brackets: 700–750 mm

Dim. A mm	Dim. B mm	Dim. C mm	Dim. D mm	Grey primed
330	82	134	50	287.42.403
380	82	134	50	287.42.412
480	82	152	50	287.42.421
580	82	178	50	287.42.430
680	82	178	50	287.42.449

Packing: 1 piece

Note

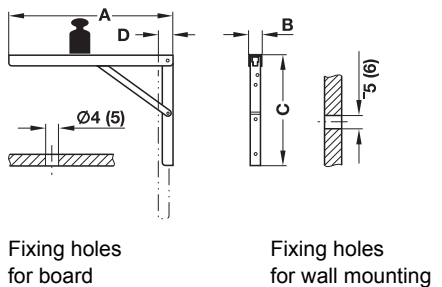
The specified load bearing capacity applies only with even load distribution (surface load) and proper and reliable attachment to the wall.

Bracket

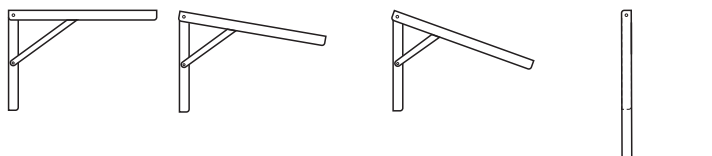
Folding



- > Material: Steel
- > Version: With locking mechanism adjustable in 3 positions



Adjustment facility



Position 1 = 90° Position 2 = 80° Position 3 = 70° Position 4 = 0°



Functionality

To raise bracket lift support arm and allow to engage at required position.
To fold down bracket lift support arm and release locking mechanism.

Dim. A mm	Dim. B mm	Dim. C mm	Dim. D mm	Galvanized	White coated
300	30	200	25	287.55.930	287.55.730
400	36	270	32	287.55.940	287.55.740

Packing: 2 pieces