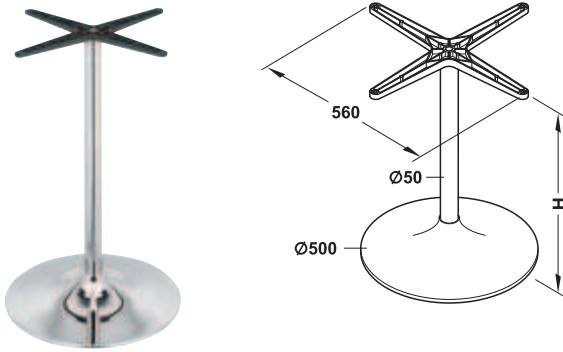


Table base with foot plate



- > Material: Column and foot plate: Steel, table top support: Zinc alloy
- > Finish/colour: Table top support: Black

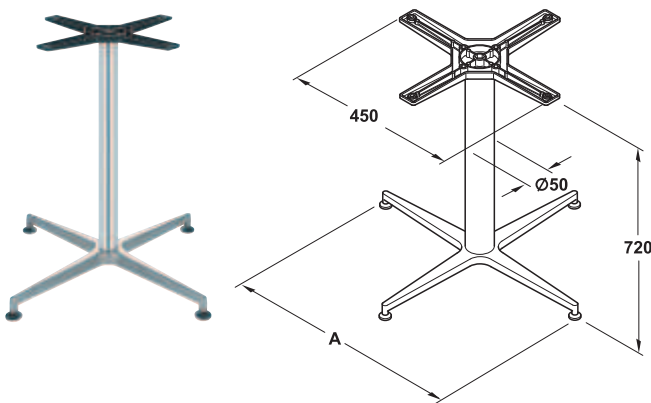
Note

Max. possible outer q of table top with:
H720 = foot plate q x 1.5
H1050 = foot plate q x 1.2

Installation height H mm	Finish/colour	Cat. No.
720	Chrome plated	638.41.270

Packing: 1 piece

Table base with feet
4-feet



- > Material: Column and feet: Aluminium, table top support: Aluminium alloy, glide: Plastic
- > Finish/colour: Column and feet: Polished, table top support: Black lacquered at top, glide: Black

Note

Max. possible outer q of table top approx.:
Feet q (dim. A) x 1.5

Version	Dim. A mm	Cat. No.
4-feet	680	638.37.044

Packing: 1 piece

DGH-M 2017, HDE-en, 10/16; Dimensional data not binding. We reserve the right to alter specifications without notice.