

**TH411 Flex Folding table**  
 Mechanical height adjustment



- > Intuitive, flexible assembly and folding
- > Compact size for freestanding and storage in a space-saving way
- > Ideal solution for temporary workplaces, home offices, children's bedrooms, etc.

- > Material: Frame: Steel, table top: Lightweight panel
- > Finish: Frame: Powder coated, table top: Melamine coating
- > Height adjustment: Manually after opening the locking mechanism, table top height 650–1,250 mm
- > Weight: Frame: 8 kg, table top: 6 kg
- > Load bearing capacity: 35 kg with even load distribution

**Supplied with**  
 Folding table frame  
 Table top with pre-mounted locking mechanism

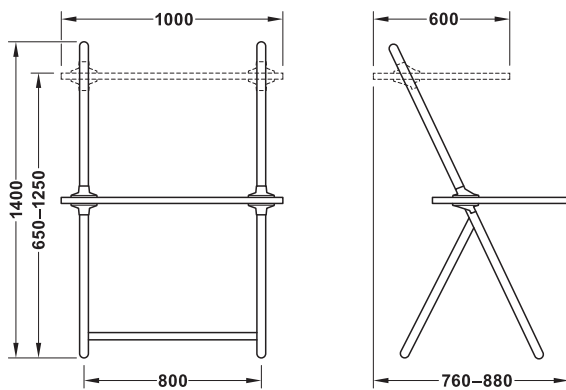
Colour	Cat. No.
Frame: Black, table top: Decor: Platinum white W980 ST15	630.25.310
Frame: Black, table top: Oak H3730 ST10 decor	630.25.320

Packing: 1 piece

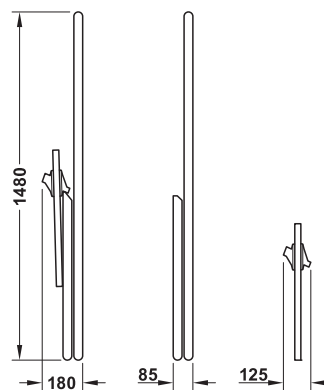


Locking mechanism open

Table top can be hooked into the frame for storage when folded in



Folded out



Folded in

DGH-M-INT 2020, HDE-en, 05/19, Dimensional data not binding. We reserve the right to alter specifications without notice.