

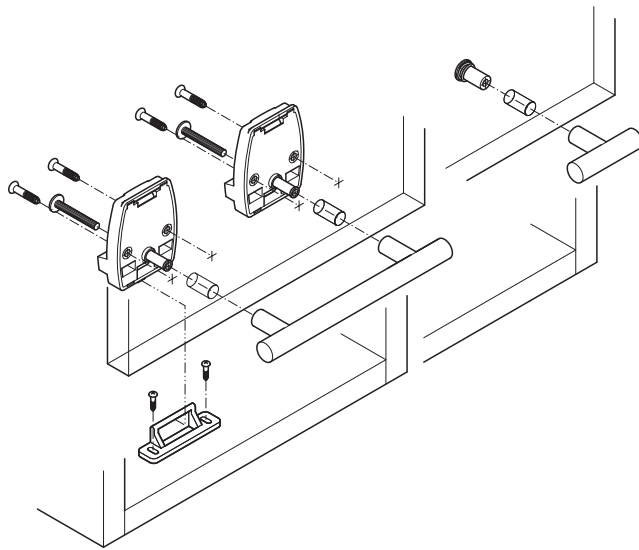
**Latchbolt rim lock**

With pull release, backset 16 mm



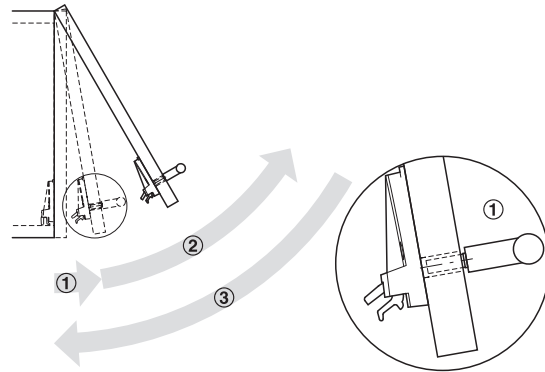
6

Furniture Locks



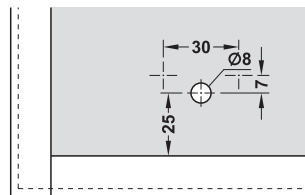
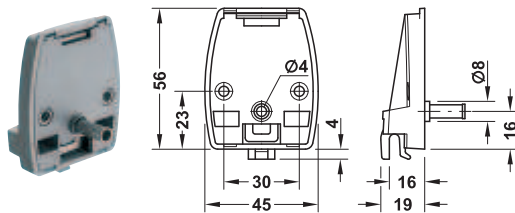
Convenient release of the locking mechanism in opening direction.

- > Area of application: For flaps and hinged doors
- > Material: Plastic
- > Colour: Grey
- > Backset D: 16 mm
- > Mounting: Left, right and drawer version
- > Locking system: Spring lock (unlocking with traction force)
- > Installation: For screw fixing



- ① Unlock
- ② Open
- ③ Lock

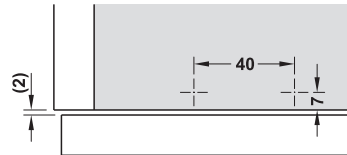
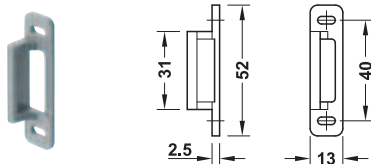
→ Handle catch



For wood thickness mm	Cat. No.
13	245.42.540
16	245.42.541
19	245.42.542

Packing: 1 or 100 pieces

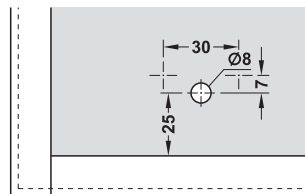
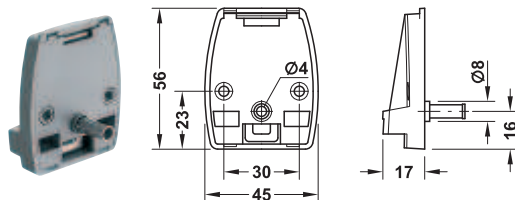
Stop



	Cat. No.
Stop	245.42.560

Packing: 1 or 100 pieces

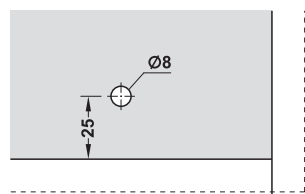
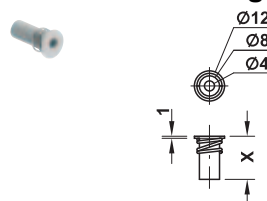
→ Counter bearing – housing



For wood thickness mm	Cat. No.
13	245.42.550
16	245.42.551
19	245.42.552

Packing: 1 or 100 pieces

→ Counter bearing – sleeve



For wood thickness mm	Dim. X mm	Colour	Cat. No.
13	18	White	245.42.900
16	21	Light grey	245.42.903
19	24	Window grey	245.42.906

Packing: 100 pieces

DGH-M 2017, HDE-en, 10/16; Dimensional data not binding. We reserve the right to alter specifications without notice.