

HÄFELE

new

miniLock

Electronic cam lock

EN INSTALLATION MANUAL



HÄFELE

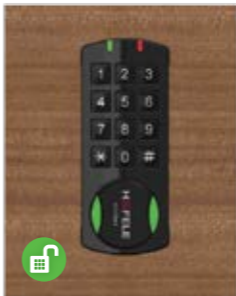
new

miniLock

•lockers

•cabinets

•boxes



www.hafele.com

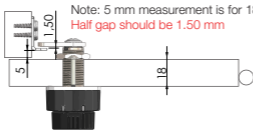
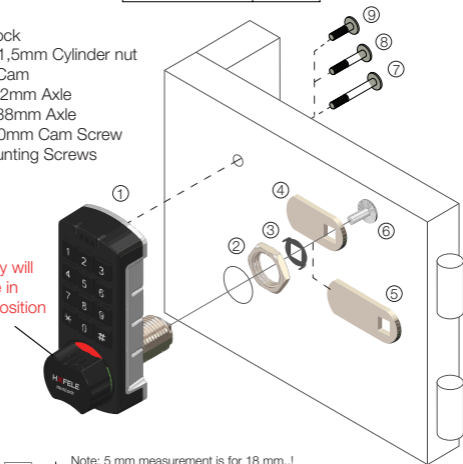
Installation Overview

EN

	Cover thickness	Screw size
⑦	0 - 5 mm covers	8mm
⑧	10 - 12 mm covers	16mm
⑨	16 - 18 mm covers	24mm

1. miniLock
2. M16x1,5mm Cylinder nut
3. Stop Cam
4. Cam 22mm Axle
5. Cam 38mm Axle
6. M4x10mm Cam Screw
- 7-9. Mounting Screws

Assembly will
be made in
locked position



Mounting
Template

$\varnothing 0.16'' (4\text{mm})$

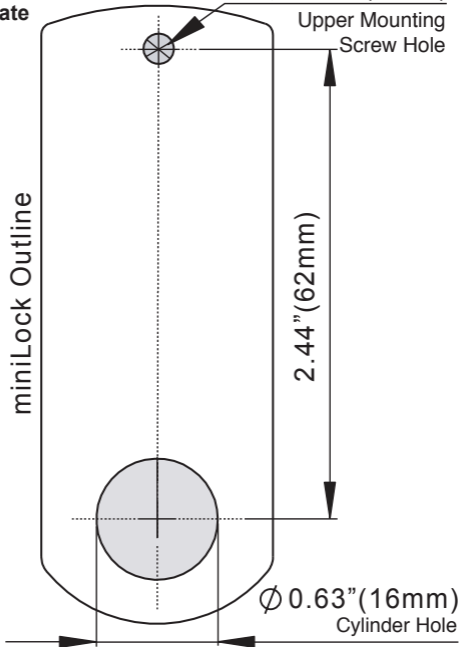
Upper Mounting
Screw Hole

miniLock Outline

2.44'' (62mm)

$\varnothing 0.63'' (16\text{mm})$
Cylinder Hole

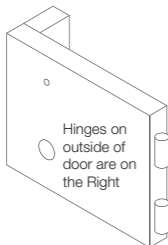
4



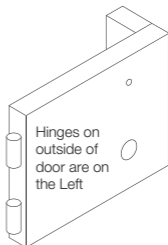
Mounting on Left & Right Door

EN

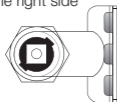
RIGHT



LEFT



Peg on stop cam is on the right side



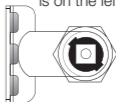
Back View

Knob, rotates to the right to open lock



View of the lock in closed position

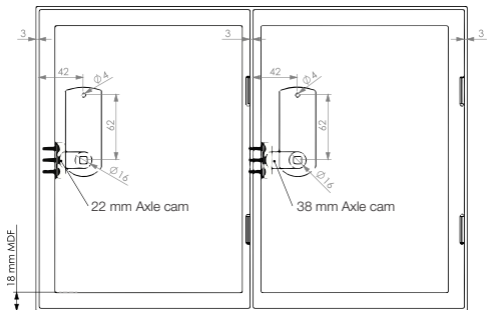
Peg on stop cam is on the left side



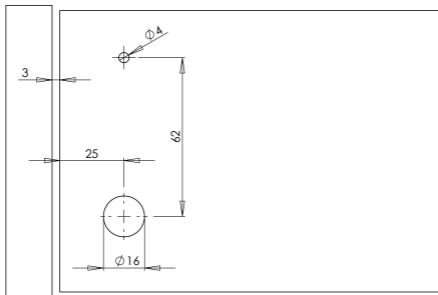
Back View

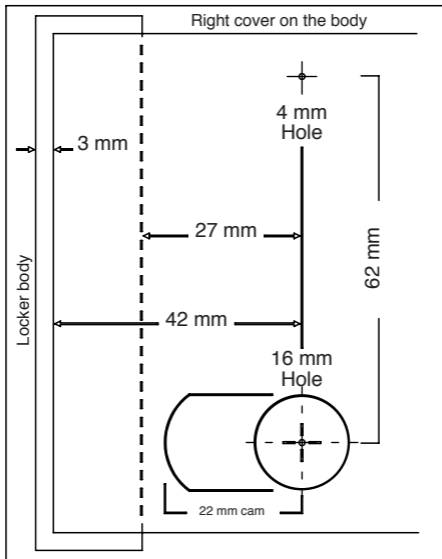
Knob, rotates to the left to open lock

JOINT ERECT LOCK ASSEMBLY MEASUREMENTS



RECESSED COVER ASSEMBLY MEASUREMENTS



**OVERLAPPING / EXTERNAL COVER
ASSEMBLY MEASUREMENTS**



NOTE: Read instructions, set combination and test lock BEFORE installing!

Replacing existing lock:

1. Place mounting template centered on existing hole and mark upper mounting screw hole.
2. Drill mounting screw hole.
3. Install lock using adaptor if necessary.
4. Thread nut on cylinder.
5. Install mounting screw
6. Tighten both nut and mounting screw.
7. Test operation of lock



Max
(Nm)

2

New Install:

1. Place mounting template on door and mark upper mounting screw hole and lower cylinder hole
2. Drill mounting screw hole and cylinder holes.
3. Continue steps 4-7 above



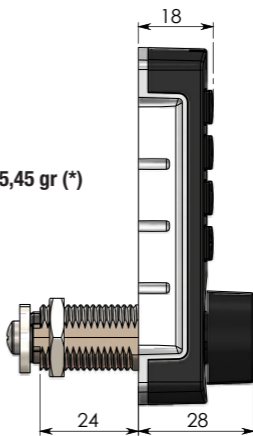
Note: Before drilling holes, make sure miniLock is positioned with proper clearance for cam to work.

WARNINGS FOR MOUNTING:

1. Pull the transparent “Remove to Start” tag coming out of battery cap at the back of the lock and activate the lock.
2. Read the user manual and apply password change and opening/closing operations several times before the mounting of the lock.
3. Before mounting of the lock, switch lock handle to closing position.
4. Make sure that there is no friction in the cabinet lids. If there is a friction in the cabinet lids, make the hinge adjustments and make the cabinet lid operable.
5. Do not forget to place Stop Cam depending on the condition of the right or left lid of your cabinet.
6. Do not over-tighten nuts or screws. The maximum torque on the cylinder screw is 2Nm.
7. Ensure that there is no friction between strike plate and the cam.
8. Finally check the mounting screws, tighten the loose screws.
9. When placing the existing locks into place, if the cylinder hole is big, use the adapter and do not over tighten the cylinder nut. (max. 2Nm).
10. Check the cabinet lid hinge adjustment at least once a year. Tighten loose screws.



75,45 gr (*)



* Assembly set is not.

HÄFELE

EN

new

miniLock

• lockers

• cabinets

• boxes



www.hafele.com

HÄFELE

www.hafele.com

new
miniLock

schools



hospitals



in mailboxes



battery saver

staff lockers



sports Halls



spa and baths

