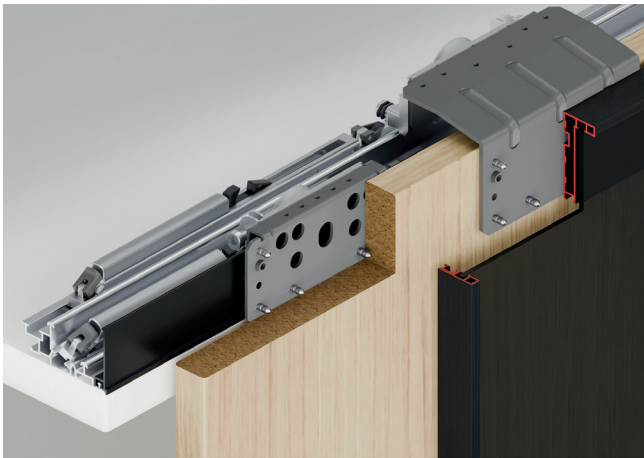


Häfele Slido F-Line44 80A sliding door fitting



- > For large sliding doors
- > Reduced opening forces for convenient operation
- > Largely tool-free assembly and adjustment
- > Combination of aluminium frame and timber sliding doors possible

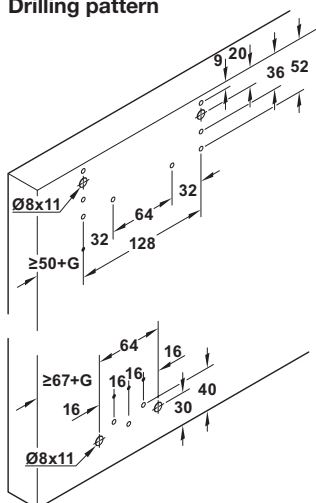


- > For door thickness: 19–40 mm
- > For door width: 2 door leaves: ≥ 600 mm
3 door leaves: ≥ 650 mm
- > For door weight: ≤ 80 kg,
for door leaf thickness 40 mm: ≤ 70 kg
- > Running position: Top
- > Number of rollers: 1 per running gear
- > Running gear bearing: Ball bearing
- > Material: Running gears: Steel, guides: Steel,
rollers: Plastic,
running and guide tracks: Aluminium
- > Mounting: Running gear and guides for
screwing to door leaf,
tracks and pull-in damper
without tools, semi-automatic
attachment of the guide

Note

Optionally with finger pinch and collision protection.
Please order separately.

Drilling pattern



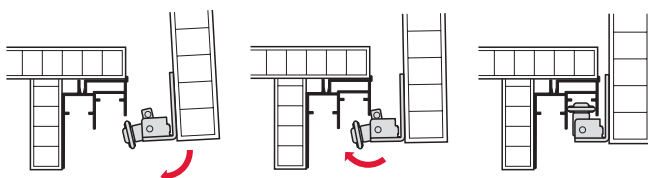
- A = Door thickness
- C = Door height
- E = Cabinet top panel thickness
- F = Joint between the doors,
7.5 mm with max.
door leaf thickness
- G = Door overlap on cabinet
side panel
- IH = Internal cabinet height
- N = Cabinet base panel thickness
- P = Dust protection moulding
for outer door leaves

$$C = IH + E + N + 103$$

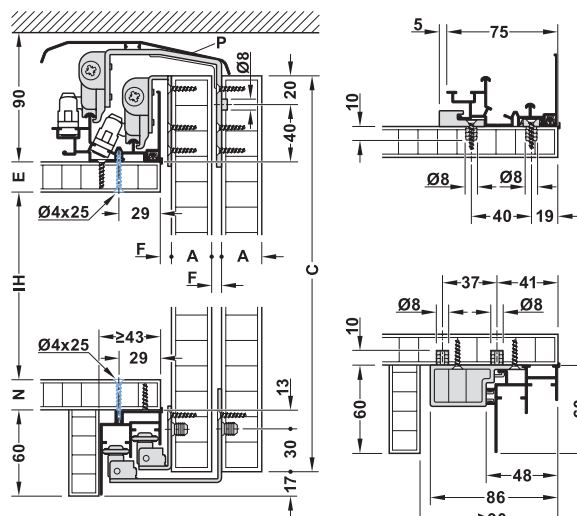
Recommended overlap of two
door leaves: 20 mm.
Please follow the
assembly instructions.

When using collision protection, ensure that the drives
are positioned accordingly.

The guide is easy to hook into the track



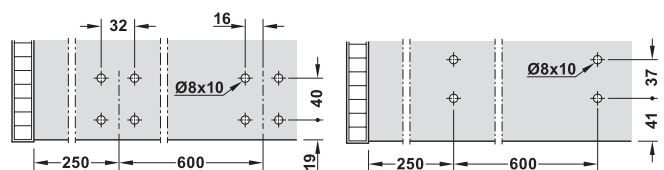
Installation dimensions



Running tracks screwed on,
optionally from top or bottom
(screw size $\varnothing 4 \times 25$ for base
thickness 19 mm)

Running tracks clip mounting

Drilling pattern for clip mounting



Running track



Guide track

Distance between mounting clips ≤ 600 mm, distance to side wall
 ≤ 250 mm, at least 4 clips must be used

→ Set without tracks

Number of door leaves per set	Version	Supplied with	For door leaf width mm	For door leaf weight kg	For door leaf thickness mm	Cat. No.
2	Without soft and self closing mechanism, with clip-in door stopper on both sides	4 running gears 4 guides 4 top clip-in door stopper 4 bottom stoppers, mounting materials	≥600	80	16–19	407.41.000
					20–22	407.41.001
					23–25	407.41.002
					26–28	407.41.003
					29–30	407.41.004
					31–33	407.41.005
	With soft and self closing mechanism on both sides	4 running gears 4 guides 4 soft and self closing mechanisms 4 bottom stoppers, mounting materials	≥600	80	16–19	407.41.014
					20–22	407.41.015
					23–25	407.41.016
					26–28	407.41.017
					29–30	407.41.018
					31–33	407.41.019
3	Without soft and self closing mechanism with clip-in door stopper on both sides	6 running gears 6 guides 6 top clip-in door stopper 4 bottom stoppers, mounting materials	≥650	80	16–19	407.41.007
					20–22	407.41.008
					23–25	407.41.009
					26–28	407.41.010
					29–30	407.41.011
					31–33	407.41.012
	With soft and self closing mechanism on both sides	6 running gears 6 guides 6 soft and self closing mechanisms 4 bottom stoppers, mounting materials	≥650	80	16–19	407.41.021
					20–22	407.41.022
					23–25	407.41.023
					26–28	407.41.024
					29–30	407.41.025
					31–33	407.41.026
			70	34–40	407.41.027	

Packing: 1 Set

Order reference

Please order running and guide tracks separately.

Note

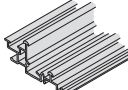
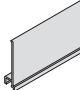
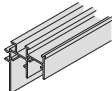
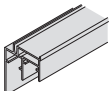
With 3-door cabinets, the centre door can only be opened in one direction.

When combined with the aluminium frame door, the sets should be used for door thicknesses of 29–30 mm.

! Aluminium frame door

► MB 10.227 G


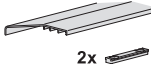

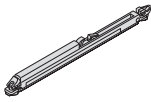
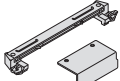
→ Tracks

		Material	Finish/colour	Length mm	Cat. No.
Double top track, for clip mounting or screw mounting from top or bottom		Aluminium	Silver coloured, anodised	2500	406.78.706
				3500	406.78.707
Clip panel		Aluminium	Silver coloured, anodised	2500	406.78.700
				3500	406.78.715
			Black anodized	2500	406.78.708
Double bottom guide track, for clip mounting		Aluminium	Silver coloured, anodised	2500	406.78.702
				3500	406.78.705
			Black anodized	2500	406.78.710
Double bottom guide track, for screw mounting from top or bottom		Aluminium	Silver coloured, anodised	2500	406.78.712
				3500	406.78.713

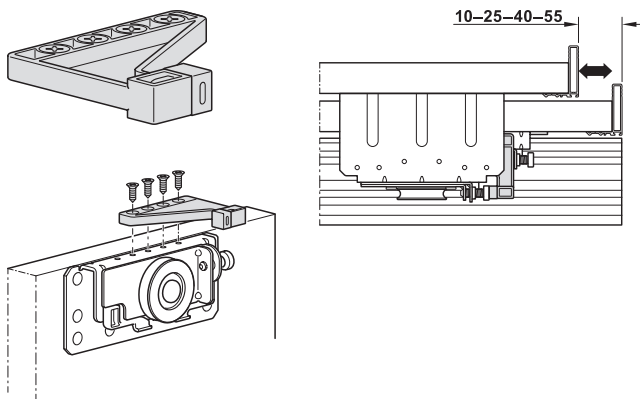
Order reference

Please order mounting clips for clip mounting separately.

→ Accessories and individual components

		Material	Finish/colour	Cat. No.
Set of mounting clips for running and guide tracks, sufficient for track length 3500 mm	 6x	Plastic	–	407.40.412
Top dust protection moulding, for outer door leaves, length 1500 mm	 2x	Plastic	Grey Black	407.40.413 407.40.414
Clip-in door stopper		Plastic	–	407.40.500
Soft and self-closing mechanism 80 kg tool-free assembly and positioning		–	–	407.40.501
Centre door soft closing mechanism with catch, for the outer door leaf of a 3-door cabinet, allows opening in both directions		–	–	407.40.415

→ Finger pinch protection



For distances of 10 and 25 mm, the number of fixing screws is reduced to 2 and 3 screws respectively.

- > Area of application: For sliding doors with handle moulding, prevents fingers from being trapped when 2 or more door leaves are moved at the same time, prevents door leaves from overtaking each other
- > Usable for: Häfele Slido F-Line44 80A
- > Material: Plastic
- > Mounting: For screwing to the running gear
- > Adjustment facility: Distance adjustable by screw position, 10/25/40/55 mm

Supplied with

With fixing material

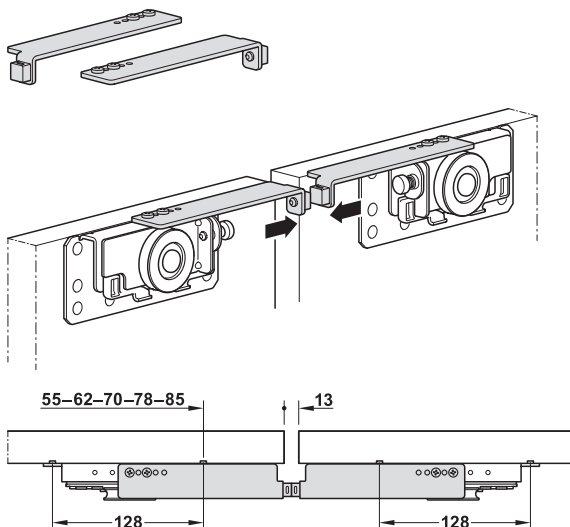
	Cat. No.
Finger pinch protection	407.40.410

Packing: 1 Piece

Order reference

1 piece is required for a 2-door cabinet, 2 pieces for a 3-door cabinet.

→ Collision protection



Ensure that the internal drives are correctly positioned! Positioning the drives outside the specified grid results in a different joint dimension. Examples: 57 mm – joint 9 mm, 53 mm – joint 17 mm

- > Area of application: For 3-leaf front panels, prevents the rear door leaves from colliding when opened at the same time
- > Usable for: Häfele Slido F-Line44 80A
- > Material: Steel, plastic
- > Mounting: For screwing to the inner running gears, note the different positioning of the inner running gears

Supplied with

With fixing material

	Cat. No.
Collision protection	407.40.411

Packing: 1 Pair

- ❗ Straightening fittings ▶ MB 10.228
- ❗ Aluminium frame door ▶ MB 10.227 G