

Häfele Flap stay with pull cable for small flaps from 120 mm to 200 mm

For wooden flaps, with adjustable opening angle



- > Opening angle can be adjusted
- > With or without soft closing mechanism
- > No time-consuming cabinet processing required
- > Lift mechanism for right/left hand use



- > Material: Fitting and cover caps: Plastic, steel and zinc alloy, front fixing bracket: Zinc alloy
- > Finish/colour: Front fixing bracket: Nickel plated, fitting: White, grey, black, smoke colour
- > Internal cabinet depth: Min. 130 mm
- > Internal cabinet height: Min. 90 mm
- > For flap height: 120–200 mm
- > Flap weight: Max. 7 kg
- > Installation: For screw fixing with Euro screws
- > Adjustment facility: Opening angle

4



White



Black

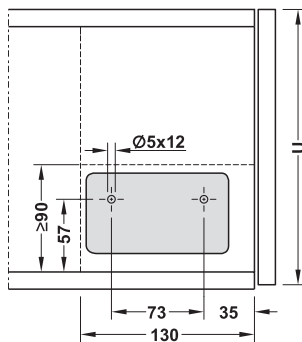


Grey



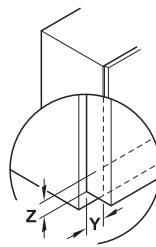
Smoke colour

Planning and installation



U = 120–200 mm

Front fixing

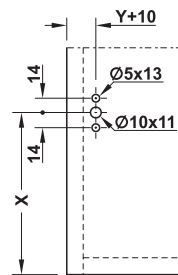


X = 60 + Z

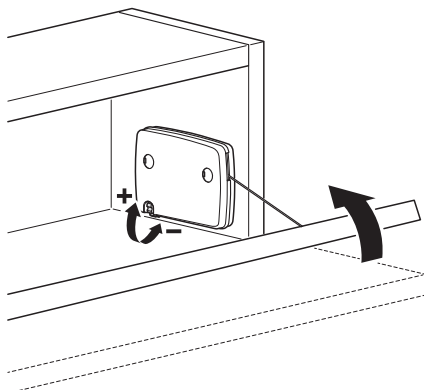
Y = lateral flap overlay dim.

Z = bottom flap overlay dim.

Drilling pattern for door



Adjustment



Flap Stay with Pull Cable

Supplied with

1 flap stay with front fixing bracket and fixing material

Model	Version	Colour	Cat. No.
A	With soft closing mechanism	White	365.47.750
		Black	365.47.350
		Grey	365.47.550
		Smoke colour	365.47.450
	Without soft closing mechanism	White	365.47.751
		Black	365.47.351
		Grey	365.47.551
		Smoke colour	365.47.451
B	With soft closing mechanism	White	365.47.752
		Black	365.47.352
		Grey	365.47.552
		Smoke colour	365.47.452
	Without soft closing mechanism	White	365.47.753
		Black	365.47.353
		Grey	365.47.553
		Smoke colour	365.47.453
C	With soft closing mechanism	White	365.47.754
		Black	365.47.354
		Grey	365.47.554
		Smoke colour	365.47.454
	Without soft closing mechanism	White	365.47.755
		Black	365.47.355
		Grey	365.47.555
		Smoke colour	365.47.455

Packing: 1 or 10 sets

Sample measurements tables for selecting the right model

With 1 flap stay with pull cable						
Flap height mm	Model A		Model B		Model C	
	without soft closing mechanism	with soft closing mechanism	without soft closing mechanism	with soft closing mechanism	without soft closing mechanism	with soft closing mechanism
120	1.1–1.5	1.5–1.9	1.9–2.2	2.5–3.2	2.7–3.1	3.6–4.1
150	1–1.3	1.3–1.8	1.4–1.7	1.9–2.5	2.5–2.8	2.9–3.3
175	0.9–1.2	1.3–1.7	1.3–1.6	1.6–2	2–2.3	2.3–2.7
200	0.8–1.1	1.1–1.5	1.1–1.5	1.5–2	1.9–2.3	2.1–2.7

With 2 flap stays with pull cable						
Flap height mm	Model A		Model B		Model C	
	without soft closing mechanism	with soft closing mechanism	without soft closing mechanism	with soft closing mechanism	without soft closing mechanism	with soft closing mechanism
120	2.1–2.7	2.8–4.7	3.6–4.2	4.7–6.5	5.4–5.9	6.6–7
150	1.8–2.2	2.6–3.9	3–3.5	4–5.5	4.2–4.7	5.4–6.3
175	1.6–1.9	2–3	2.5–2.9	3.2–4.4	3.7–4.1	4.2–4.9
200	1.4–1.7	1.8–2.7	2.2–2.6	2.7–3.6	3.3–3.7	3.7–4.7

Note

Weight and position of the handle may affect the performance of the mechanism.