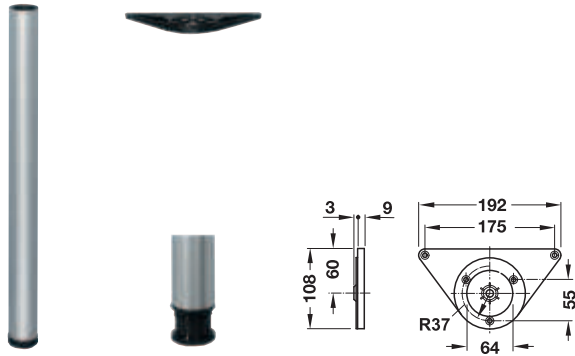


Rondella

→ Cylindrical, straight



- > Area of application: For laminated table top (thickness 25–40 mm)
- > Material: Glide: Plastic, screw-on plate: Zinc alloy
- > Colour: Glide: Black, screw-on plate: Dark grey
- > Height adjustment: +25 mm
- > Installation: For screw fixing with screw-on plate

Note

Installation height = height of table leg including screw-on plate

Supplied with

Table leg  
Fixing material

Installation height mm	Diameter mm	Finish	Cat. No.
710	60	Matt	635.11.970

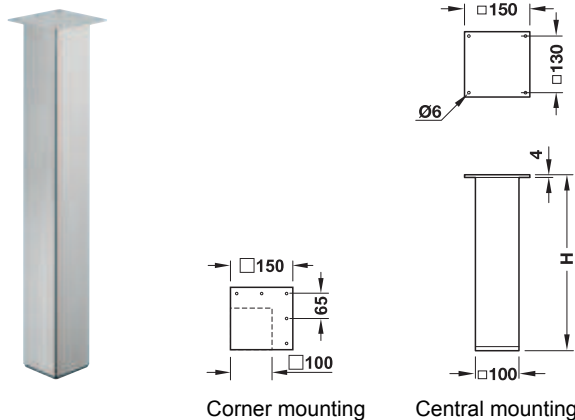
Packing: 1 or 4 pieces

Glass panel adapter

► MB 12.53

→ Square, straight

With plate

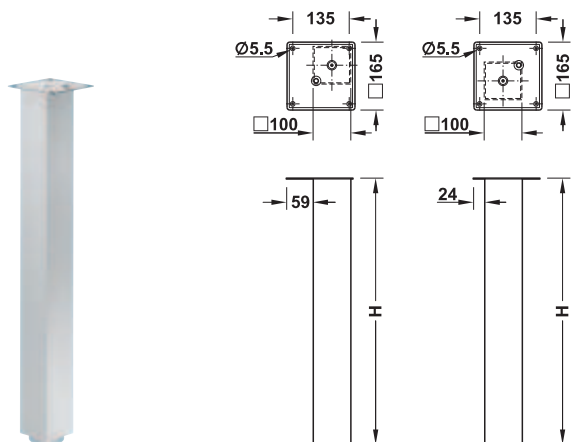


- > Material: Glide: Plastic
- > Finish/colour: Table leg: Brushed, glide: Black

Installation height H mm	Corner mounting	Central mounting
720	635.02.067	635.02.077

Packing: 1 piece

Square, straight



- > Material: Screw-on plate: Steel, internal structure: Steel, adjusting foot: Steel
- > Finish/colour: Leg: Stainless steel effect, adjusting foot: White aluminium, RAL 9006
- > Height adjustment: 10 mm at adjusting foot
- > Area of application: For table extensions, worktop extensions and bar counters 100 x 100 mm
- > Cross section: 100 x 100 mm
- > Version: Table leg can be attached to the screw-on plate at two different positions
- > Load bearing capacity: 250 kg

Installation height H mm	Stainless steel effect
695	635.13.003
720	635.13.004
820	635.13.005
870	635.13.006
1100	635.13.007

Packing: 1 piece