

Full extension

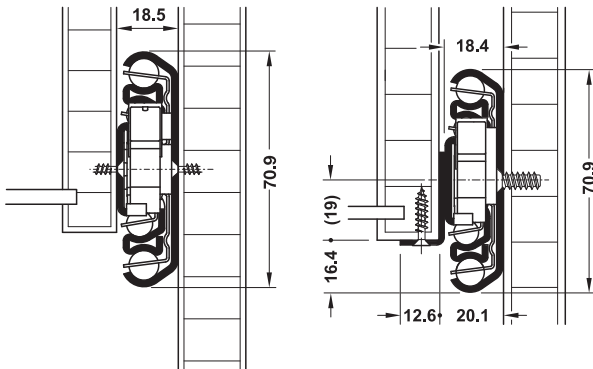
Load bearing capacity up to 230 kg, with self closing mechanism or hold-in device for holding in closed position



Fig. shows side mounted version

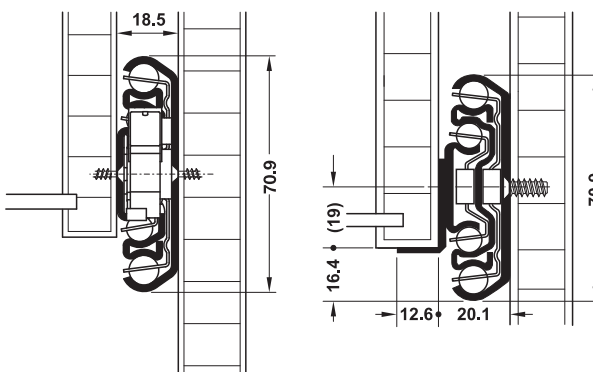
- > Material: Steel
- > Finish: Galvanized
- > Installation: At drawer, side mounted or surface mounted

Installation



With self closing mechanism, side mounted, max. drawer width = internal cabinet width – 38 mm

With self closing mechanism, surface mounted, max. drawer width = internal cabinet width – 41.5 mm

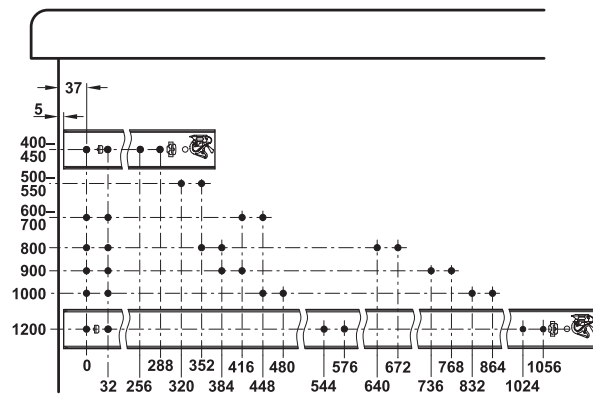


With hold-in device for holding in closed position, side mounted, max. drawer width = internal cabinet width – 38 mm

With hold-in device for holding in closed position, surface mounted, max. drawer width = internal cabinet width – 41.5 mm



Drilling pattern



Installation length L mm	Extension length AL mm	Load bearing capacity kg	Cat. No.
--------------------------	------------------------	--------------------------	----------

With self closing mechanism, side mounted

400	400	170	420.76.941
450	450	190	420.76.946
500	500	212	420.76.951
550	550	230	420.76.956
600	600	230	420.76.961
700	700	228	420.76.971
800	800	219	420.76.981

With self closing mechanism, surface mounted

400	400	170	420.77.941
450	450	190	420.77.946
500	500	212	420.77.951
550	550	230	420.77.956
600	600	230	420.77.961
700	700	228	420.77.971
800	800	219	420.77.981

With hold-in device for holding in closed position, side mounted

400	435	157	420.76.416
450	485	160	420.76.461
500	545	169	420.76.514
550	595	187	420.76.569
600	650	189	420.76.612
700	750	187	420.76.720
800	850	212	420.76.721
900	950	192	420.76.722
1000	1050	179	420.76.723
1200	1250	163	420.76.724

With hold-in device for holding in closed position, surface mounted

400	435	157	420.77.413
450	485	160	420.77.468
500	545	169	420.77.511
550	595	187	420.77.566
600	650	189	420.77.619
700	750	187	420.77.717

Packing: 1 pair

Order reference

Special lengths/functions available from 100 pairs on request.

Note

The specified load bearing capacities refer to 10,000 cycles.

