

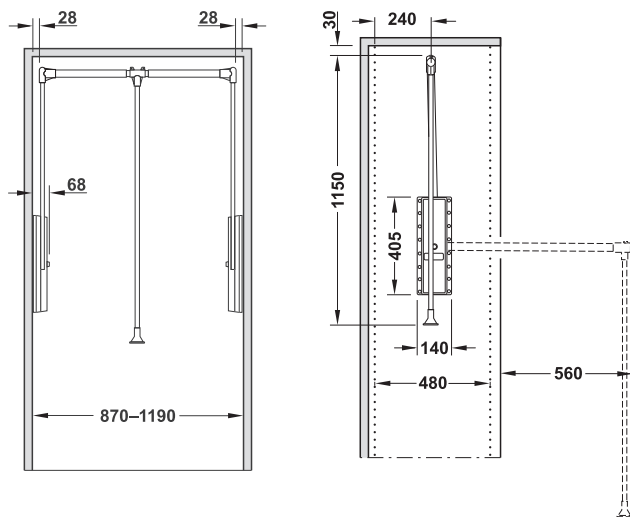
**Professional Wardrobe lift**

For mounting on side panel, load bearing capacity 15 kg



8

Wardrobe Fittings and Accessories, Wardrobes



- > Material: Arm and clothes rail: Steel, housing and connecting parts: Plastic
- > Finish: Arm and clothes rail: Chrome plated
- > Colour: Housing and connecting parts: Black
- > For internal cabinet width: 870–1,190 mm
- > Installation: For screw fixing to side panel into 32 mm series drilled holes
- > Clothes rail Ø 28 mm
- > Fixing material supplied

**Note**

Recommended load min. 5 kg for smoother movement. Increasing the load reduces the pull force.

Load bearing capacity kg	Cat. No.
15	805.24.230

Packing: 1 set

→ **Replacement T-shape part/corner connector**



Replacement T-shape part



Replacement corner connector

- > Material: Plastic
- > Colour: Black

Model series	Packing	Cat. No.
Replacement T-shape part	1 piece	805.24.910
Replacement corner connector	1 pair	805.24.970

→ **Replacement plastic clip**



Material	Colour	Cat. No.
Plastic	White	805.20.900

Packing: 1 or 10 pieces

Design interior configuration

► MB 8.68

DGH-M 2021, HDE-en, 11/20; Dimensional data not binding. We reserve the right to alter specifications without notice.