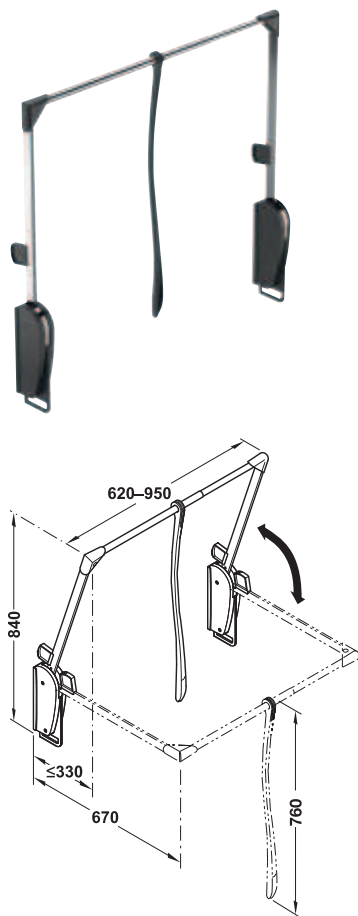


Wardrobe lift

For wall mounting, load bearing capacity 10 kg



Screw holes of the wardrobe lift are covered

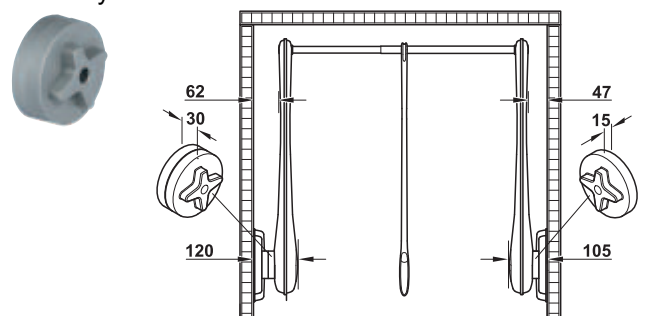
- > Material: Arm and clothes rail: Steel, screw-on plate, housing, connecting parts and pull rod: Plastic
- > Adjustment facility: Clothes rail 620–950 mm

Finish/colour	Cat. No.
Grey , arm and clothes rail: Grey	805.29.901
Black , arm and clothes rail: Chrome plated	805.29.200

Packing: 1 piece

→ **Spacer plate**

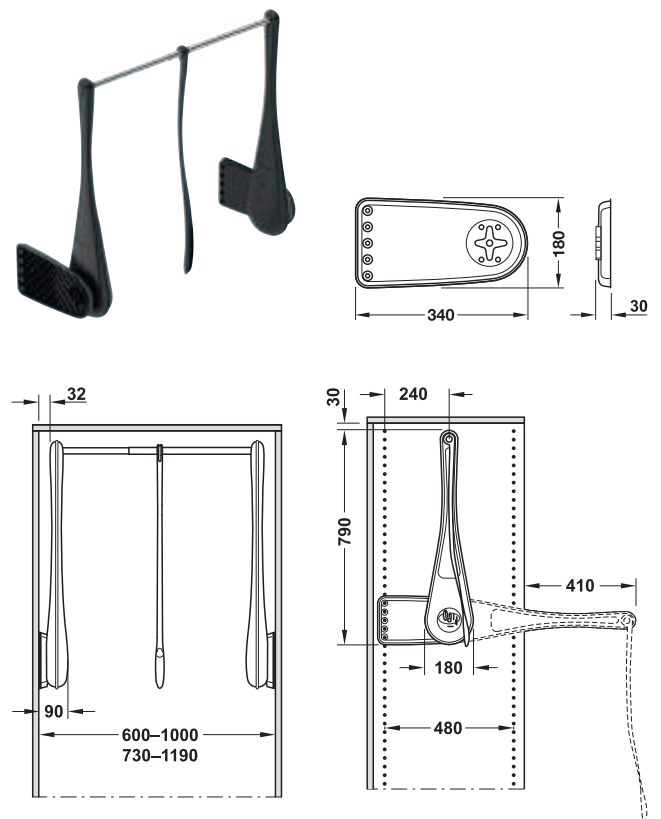
For Only wardrobe lift



Only Wardrobe lift

For mounting on side panel, load bearing capacity 12 kg

Vitaflex



- > Area of application: For 600–1,190 mm internal cabinet width
- > Material: Clothes rail: Steel, screw-on plate and arm: Plastic
- > Installation: For screw fixing to wardrobe side panel into 32 mm series drilled holes
- > Clothes rail Ø: 22.4 mm

Finish/colour	For internal cabinet width 600–1000 mm	For internal cabinet width 730–1190 mm
Beige , clothes rail: Chrome plated	805.21.510	805.21.500
Grey , clothes rail: Grey	805.21.911	805.21.901
Black , clothes rail: Chrome plated	805.21.210	805.21.200

Packing: 1 set

- > Area of application: For compensating door offset, e.g. with inset doors
- > Distance: 15 mm
- > Material: Plastic

Colour	Cat. No.
Beige	805.20.470
Grey	805.20.971
Black	805.20.370

Packing: 2 pieces

DGH-M 2021, HIDE-en, 11/20; Dimensional data not binding. We reserve the right to alter specifications without notice.



8

Wardrobe Fittings and Accessories, Wardrobes