

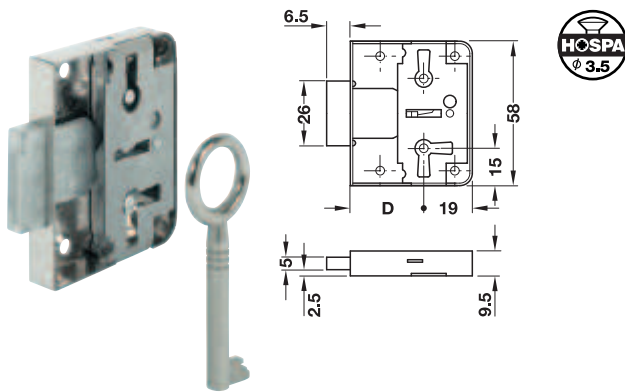


6

Furniture Locks

Deadbolt rim lock

Backset 15 or 30 mm



- > Material: Lock case: Steel
- > Finish: Bright nickel plated
- > Backset D: 15 or 30 mm
- > Locking system: With 3 lever bits
- > Key change: 6 different key changes possible
- > Installation: For screw fixing

Supplied with

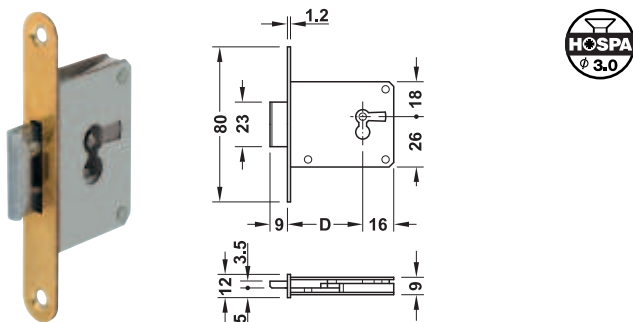
- 1 deadbolt rim lock
- 1 round ring key

Mounting	Backset D	Cat. No.
Left, right and drawer version	15 mm	211.10.207
	30 mm	211.10.234

Packing: 1 or 10 pieces

Mortice lock

Backset 15–40 mm

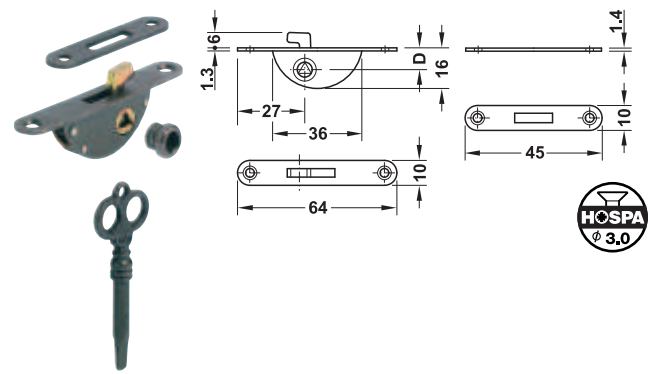


- > Material: Lock case and forend: Steel
- > Finish: Lock case: Bright, forend: Polished brass plated
- > Locking system: With lever bits for decorative key
- > Installation: For screw fixing

Backset D mm	Mounting	Packing pieces	Cat. No.
15	Left	1 or 50	213.21.308
	Right/drawer version		213.21.200
20	Left	1 or 50	213.21.317
	Right/drawer version		213.21.219
30	Left	1 or 50	213.21.335
	Right/drawer version		213.21.237
40	Left	1 or 25	213.21.353
	Right/drawer version		213.21.255

Hook bolt mortice lock

Backset 9 mm, with triangular keyhole



- > Material: Steel
- > Finish: Burnished
- > Backset D: 9 mm
- > Locking system: With hook bolt
- > Installation: For screw fixing

Supplied with

- 1 hook bolt mortice lock
- 1 triangular pin key
- 1 bush
- 1 striking plate

Mounting	Cat. No.
Hook bolt mortice lock	238.06.108

Packing: 1 or 50 pieces

DGH-M 2021, HDE-en, 11/20; Dimensional data not binding. We reserve the right to alter specifications without notice.