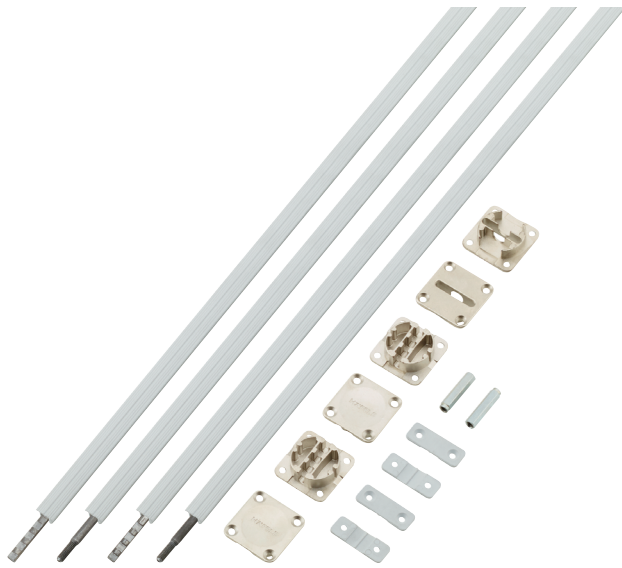


Straightening fitting

For wooden doors



- > Area of application: For hinged doors and sliding doors, prevents doors warping in either direction or straightens doors which have become warped
- > Door height: 2,000–2,650 mm
- > Door thickness: Min. 16 mm
- > Material: Threaded bar: Steel, tensioner: Zinc alloy, trim strip: Plastic
- > Finish/colour: Tensioner: Nickel plated, trim strip: Grey
- > Installation: For recess mounting and screw fixing
- > Adjustment facility: Via pre-mounted hexagonal nut, with SW 8 open-ended spanner

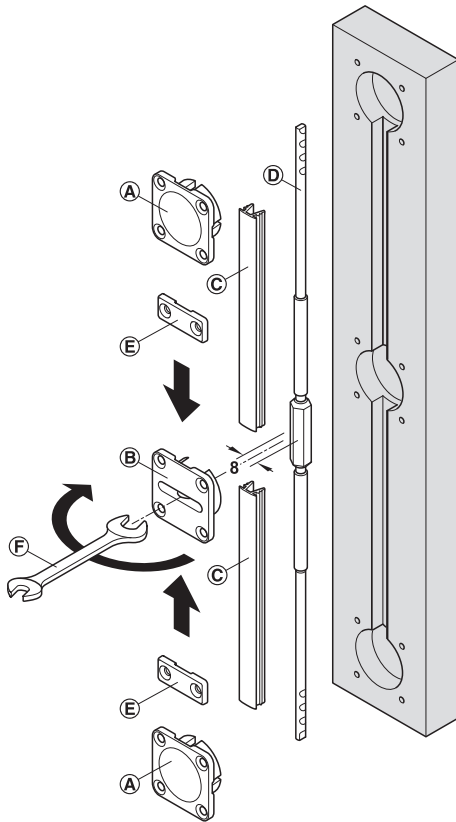
Note

2 straightening fittings recommended per door leaf.

Not suitable for hardwood!

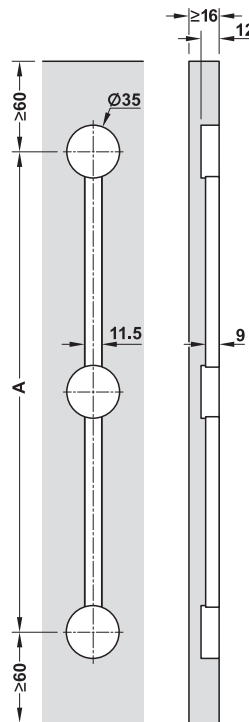
Please note when using this product in combination with lacquered panels, a pattern of the routed recesses may emerge on the front.

Installation



- (A) Top and bottom tensioner
- (B) Centre tensioner
- (C) Trim strip
- (D) Threaded bar
- (E) Retaining plate
- (F) Open-ended spanner

Drilling pattern



Supplied with

1 set consists of 2 straightening fittings including all individual components and open-ended spanner

Door height mm	Dim. A mm	Cat. No.
Max. 2250	1838	406.99.613
Max. 2450	1988	406.99.614
Max. 2650	2248	406.99.615

Packing: 1 set