

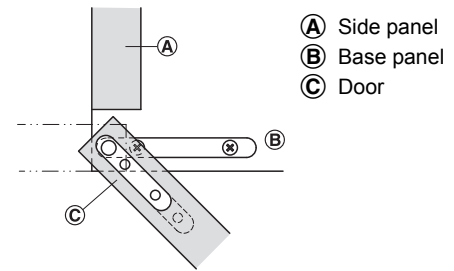
### Pivot hinge

- > Opening angle: 180°
- > Material: Steel
- > Finish: Blue galvanized
- > Flange thickness: 3 mm
- > Opening angle restraint: Without stop
- > Installation: For screw fixing
- > Load bearing capacity: <20 kg
- > Spacer ring 1 mm

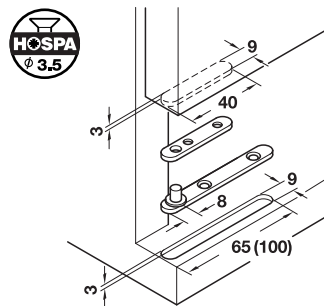
**Note**

One pair is required for each door

**Application**



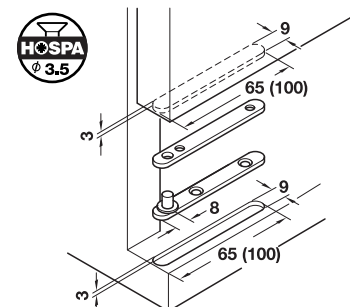
→ With one short flange



Length mm	Cat. No.
65	361.02.511
100	361.02.531

Packing: 1 or 20 pairs

→ With identical flanges



Length mm	Cat. No.
65	361.03.511
100	361.03.531

Packing: 1 or 20 pairs