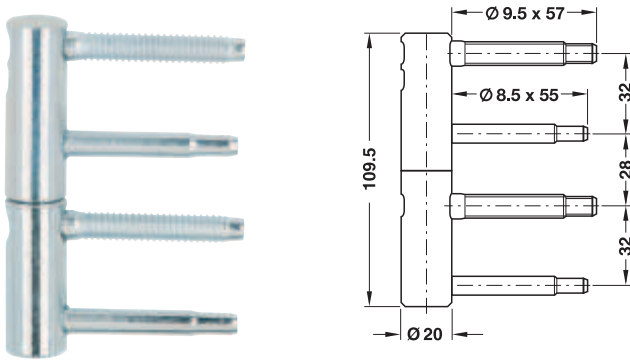


### Startec FI 5 Drill-in hinge

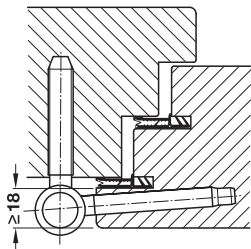
For rebated doors up to 120 kg



- Area of application: For wooden frames, for rebated wooden front doors
- Door weight: ≤120 kg
- Knuckle Ø: 20 mm
- Overlay distance: ≥18 mm
- Bearing: Maintenance-free friction bearing technology
- Safety device: With security pin for outward opening doors or without security pin (optional)
- Adjustment facility: Continuously 3D adjustable: Height +4 mm, side and closing pressure +3/-2 mm
- Mounting: For DIN left and DIN right hand use
- Standard: Certified in compliance with EN 1935:2002
- Class: 

4	7	6	0	1	2	1	13
---	---	---	---	---	---	---	----

#### Installation



Material	Finish	With security pin	Without security pin
Steel	White galvanized	922.24.590	922.24.490

Mounting aid set of tools	► BB 6.51
Decorative sleeves	► BB 6.44

