

ANSELMI - AN 161 3D FVZ 14/40**AN 161 3D FVZ 14/40**

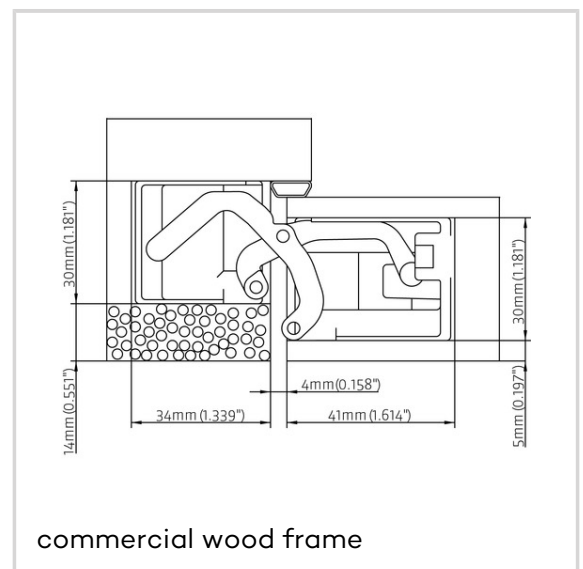
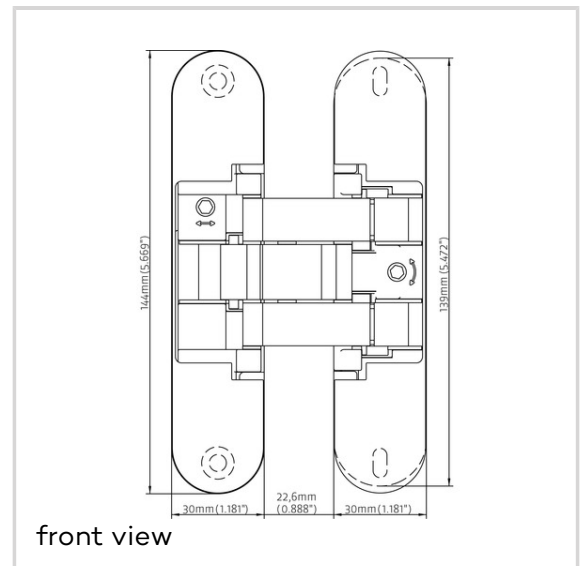
For 40 mm (1.575") thick residential doors up to 14 mm (0.551") recessed frame facings facings up to 60 kg (132 lbs.)

**Product features**

- Completely concealed hinge system
- FVZ = for recessed frame facings
- Recessed frame facings up to 14 mm (0.551")
- Minimum door thickness of 40 mm (1.575")
- For wood and aluminum frames
- For residential doors
- Easily adjustable in three dimensions (side +/- 1.5 mm (0.059"), height +/- 2.5 mm (0.098"), compression +/- 1.0 mm (0.039"))
- Central installation
- Material Zinc Diecast

Technical data

Property	Value
Load capacity	60.0 kg (132.0 lbs.)
Overall length	144.0 mm (5.669")
Width (door part)	30.0 mm (1.181")
Width (frame part)	30.0 mm (1.181")
Cutter diameter	16.0 mm
Collar ring diameter	27.0 mm
Opening angle	180°



ANSELMI - AN 161 3D FVZ 14/40**Notes**

The load capacity mentioned above refers to the use of 2 hinges per door leaf (900 x 2100 mm (35.433 x 82.677")).

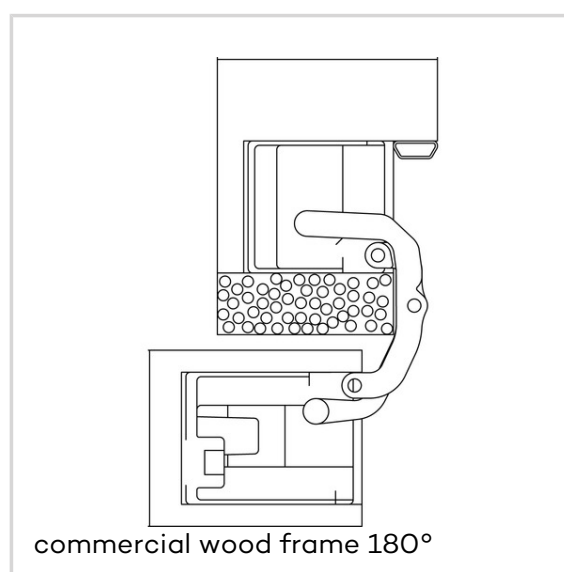
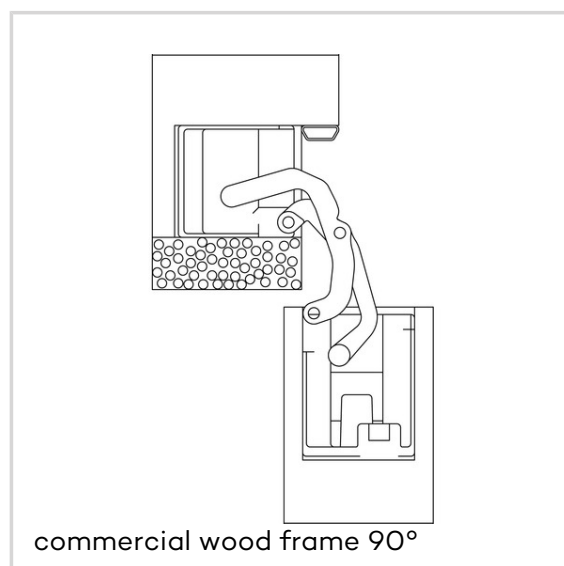
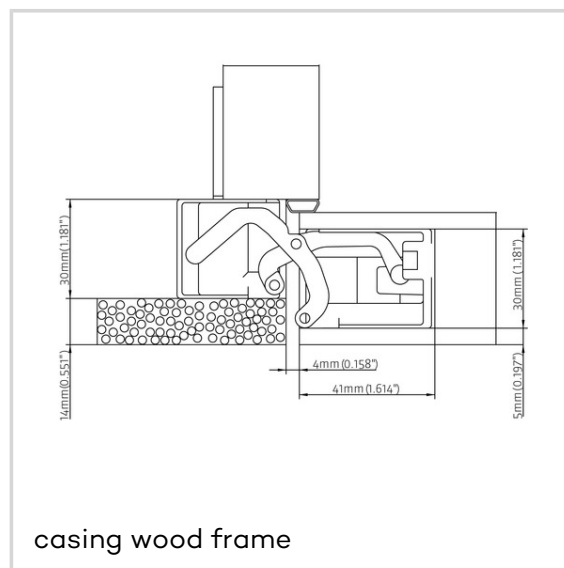
Wood screws are included.

Alternatively, the routing can be carried out with a cutter diameter of 1/2" and a collar ring diameter of 1" for imperial templates.

Finishes shown on the model version AN 160 3D.
Deviations possible with this model version.

Item versions

Finish	Rustic Umber (AN 012)
VPE	pack of 2
DIN	non-handed
Article number	AN1613D1440-31
EAN	8059606382494
Finish	Black (AN 018)
VPE	pack of 2
DIN	non-handed
Article number	AN1613D1440-28
EAN	8054608703926
Finish	Aluminum Chrome (AN 036)
VPE	pack of 2
DIN	non-handed
Article number	AN1613D1440-27
EAN	8054608704008
Finish	Satin Nickel (AN 044)
VPE	pack of 2
DIN	non-handed
Article number	AN1613D1440-29
EAN	8054608703933



ANSELM I - AN 161 3D FVZ 14/40

Finish	RAL 9016 Traffic White (AN 049)
VPE	pack of 2
DIN	non-handed
Article number	AN1613D1440-30
EAN	8054608703940