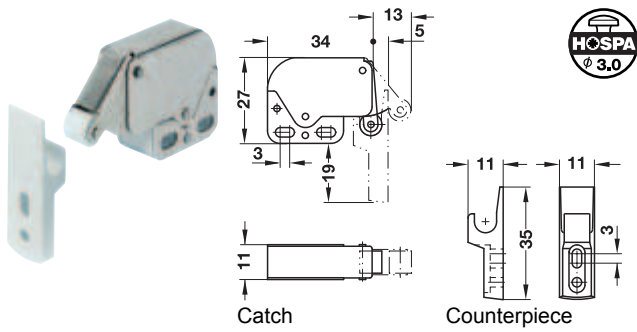


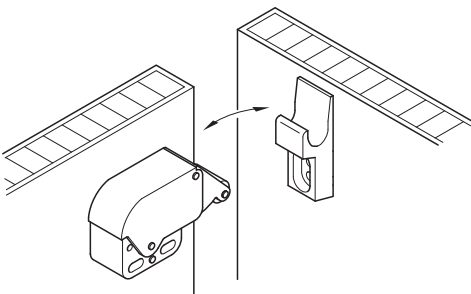
### Mini-Latch Spring catch

For screw fixing



- > Material: Catch: Steel, counterpiece: Plastic
- > Finish/colour: Catch: Nickel plated/white, counterpiece: White
- > Adjustment facility: Slot
- > Release distance: 2 mm

#### Installation



Finish/colour	Packing pieces	Cat. No.
Catch: Nickel plated/white, counterpiece: White	1, 50 or 400	245.54.701
Catch: Stainless steel/white, counterpiece: White	1 or 50	245.54.707

#### → Individual spring catch

Finish/colour	Cat. No.
Nickel plated, white	245.54.704
Nickel plated, black	245.54.304

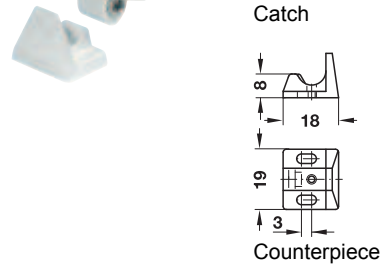
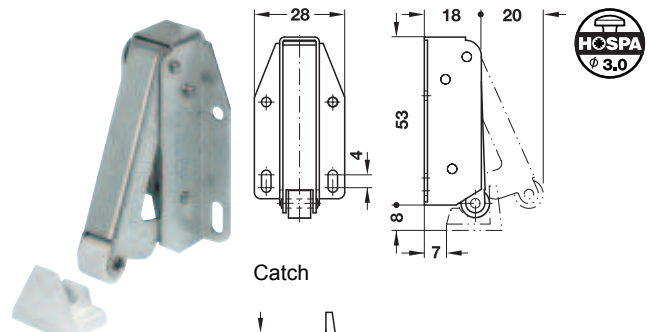
Packing: 1 or 400 pieces

#### → Counterpiece

Material	Finish/colour	Packing pieces	Cat. No.
Plastic	White	1 or 400	245.54.790
	Black	1 or 400	245.54.390
Zinc alloy	Bright	1 or 50	245.54.090

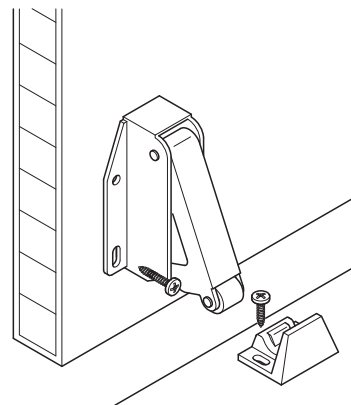
### Quick Spring catch

For screw fixing



- > Material: Catch: Steel, counterpiece: Plastic
- > Finish/colour: Catch: Bright galvanized, brass plated or burnished, counterpiece: White
- > Adjustment facility: Slot
- > Release distance: 2 mm

#### Installation



Finish	Packing pieces	Cat. No.
Bright galvanized	1, 50 or 200	245.55.913
Brass plated	1 or 50	245.55.502
Burnished	1 or 50	245.55.100

#### → Counterpiece

Finish/colour	Material	Packing	Cat. No.
White	Plastic	1 piece	245.55.790



5

Magnetic Catches, Catches, Furniture Bolts

DGH-M-INT 2020, HDE-en, 05/19; Dimensional data not binding. We reserve the right to alter specifications without notice.