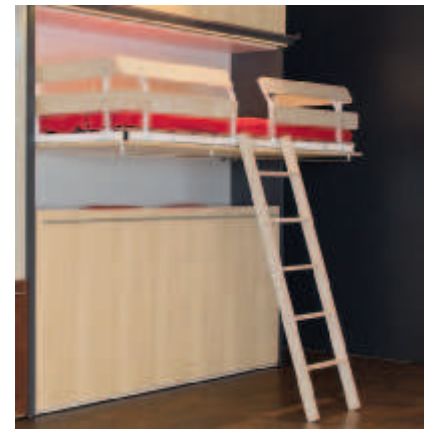


Häfele Duoletto Built-in foldaway bed, side mounted, with slatted frame

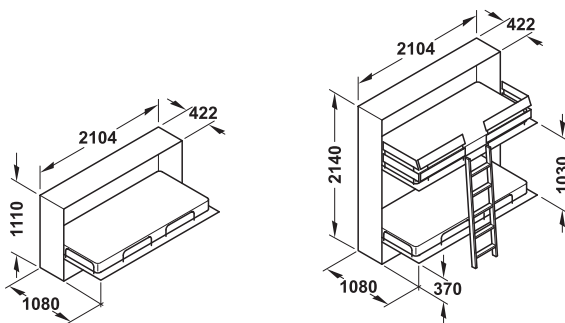


- > Variable and freely selectable mounting height when used as single bed
- > The same fitting can be used for bunk beds



8

Bedroom Fittings



As single bed

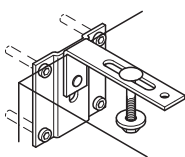
As bunk bed

Specified cabinet dimensions are external cabinet dimensions.

Construction recommendation

Component	Material thickness
Front panel	16 mm
Cabinet base panel, plinth	19 mm
Rear panel, cabinet side panel	22 mm

Note



All built-in foldaway beds must be prevented from tipping in accordance with EN1129. Ensure that the surface is suitable for attaching the securing brackets.

→ Accessories for bunk bed/loft bed



- > Area of application: Single and/or bunk bed/loft bed
- > For mattress size (W x L): 900 x 2,000 mm
- > Load bearing capacity: 100 kg
- > Bed weight: 55–85 kg
- > Material: Frame: Torsion-free tubular steel with resilient wooden slats
- > Finish: Powder coated white, RAL 9016
- > Version: With gas-filled strut for easy opening and closing, with 12 flexibly mounted resilient wooden slats
- > Installation: Quick fixing system, bearing plates pre-mounted

Supplied with

- 1 Foldaway bed, with frame and slatted frame
- 2 Securing brackets (anti-tilt facility)
- 3 Bedding straps
- 6 Mattress holders
- 1 Set of installation instructions
- 2 Gas-filled struts

Version	Cat. No.
Without mattress	271.89.000
With mattress	271.89.005

Packing: 1 set

	Bed weight kg	Spring force N	Cat. No.
Replacement gas-filled strut	55–85	400	271.89.920

Packing: 1 piece

Order reference

Please order accessories for use as bunk bed/loft bed (hook-in ladder and bed guard) separately.

- > Material: Ladder, bed guard: Laminated wood, can be lacquered, brackets: Tubular steel
- > Dim.: Ladder: 1,475 x 397 x 60 mm
- > Finish: Brackets: Powder coated, white RAL 9016

	Cat. No.
Hook-in ladder and bed guard	271.89.010

Packing: 1 set

DGH-M 2021, HDE-en, 1/120; Dimensional data not binding. We reserve the right to alter specifications without notice.