

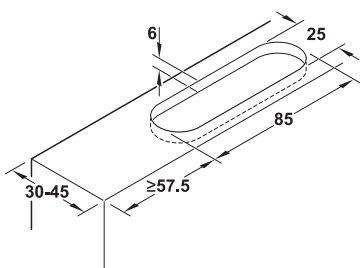
Häfele Slido D-Line803 80Z Sliding door fitting



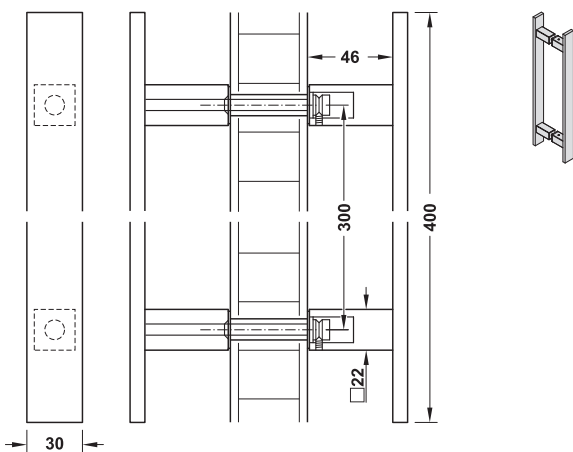
- > Area of application: For 1-leaf and 2-leaf sliding doors
- > Version: Running gear with anti-derailment device
- > Door weight: ≤80 kg
- > For door width: With running track 1,804 mm: 800–950 mm, with running track 2,104 mm: 960–1,050 mm, with running track manufactured to size: Variable door width
- > For internal opening width: With running track 1,804 mm: 750–900 mm, with running track 2,104 mm: 910–1,000 mm, with running track manufactured to size: Variable opening width
- > For wood thickness: 30–45 mm
- > Adjustment facility: Height: ±3 mm
- > Installation: Wall mounting, suspension with recessed door leaf connection

Sliding Door Fittings for Wooden Doors

Routing dimensions

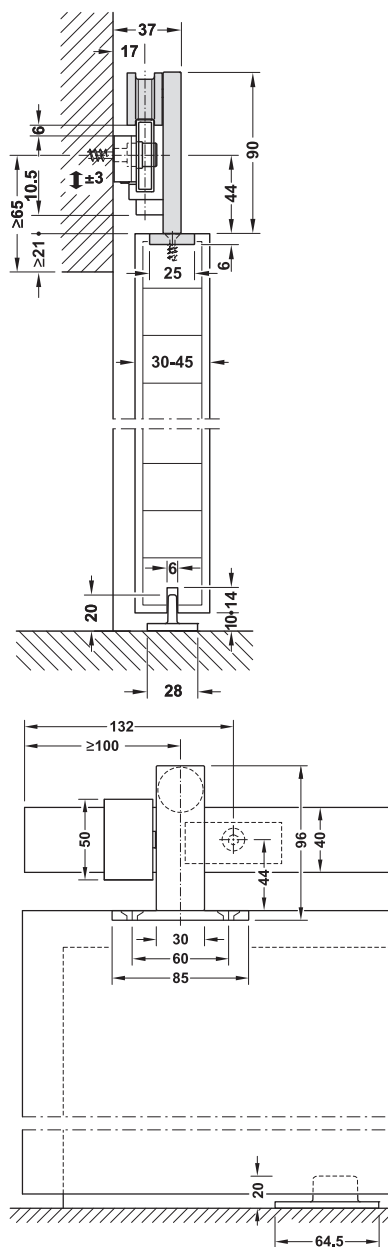


Dimensions of pull handle on both sides



Note
Drill hole in wood Ø 12 mm

Wall mounting



Running gear with clamp fitting

DGH-B 2015, HDE-en, 06/15; Dimensional data not binding. We reserve the right to alter specifications without notice.

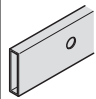
→ Set without running track for 1 door

Model	Supplied with	Cat. No.
80Z	2 running gears 2 stoppers 1 floor guide	940.89.001

Order reference

Order 2 sets for 2-leaf sliding doors.

→ Tracks

	Material	Finish	For wood thickness mm	Version	Length mm	Cat. No.
Running track, for wall mounting, 	Stainless steel	Satin	30–45	Pre-drilled (3 times)	1804	940.89.918
				Pre-drilled (4 times)	2104	940.89.921
				Up to 2500 mm, pre-drilled (4 times) Up to 3250 mm, pre-drilled (5 times)	Customised, max. 3250 mm	940.89.999

Note

Drilling distances for wall mounting the running track 1,804 mm: 132/770/770/132 mm, pre-drilled (3 times)

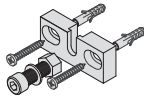
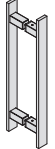
Drilling distances for wall mounting the running track 2,104 mm: 132/613/614/613/132 mm, pre-drilled (4 times)

Order reference

Please select packing of wall mounting set in accordance with the number of drill holes in the running track.

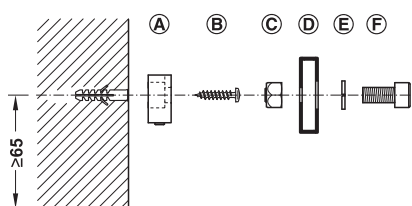
Fixing material supplied with wall mounting set.

→ Accessories

	Material	Finish	For wood thickness mm	Length mm	Packing	Cat. No.
Wall mounting set, for running track 	–	–	30–45	–	3 pieces	940.89.040
					4 pieces	940.89.041
					1 piece	940.89.042
Pull handle on both sides, standard set with wood and glass fixings 	Stainless steel	Satin	30–45	400	–	903.03.960

Installation

Wall mounting set



- Ⓐ Spacer/wall support
- Ⓑ Screw for mounting spacer
- Ⓒ Nut
- Ⓓ Running track
- Ⓔ Washer
- Ⓕ Fixing screw for running track

Door handles for sliding doors	▶ BB 3.122
Mortice locks	▶ BB 4.28 ▶ BB 9.362

Retractable door seals for sliding doors	▶ BB 8.17
Door seals for sliding doors	▶ BB 9.136
Flush pull handles	▶ BB 9.371