

Dometic DM Thermoelectric mini bar drawer

→ **DM 20, 20 litres gross capacity**

Thermoelectric mini bar that is absolutely silent.
Perfectly suitable for replacing old mini bars with 30 litres gross capacity (normally suitable dimensions).

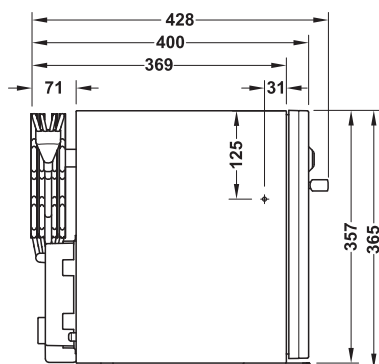


- > Material: Steel housing
- > Dim.: With decorative panel 384 x 428 x 365 mm (W x D x H),
built-in version 384 x 398 x 365 mm (W x D x H)
- > Version: Roller bearing mounted drawer with soft closing mechanism, with interior LED lighting, variable interior division, for bottles up to a height of ≤ 245 mm
- > Energy consumption: 0,23 kWh/24 h
- > Energy efficiency class: A++
- > Nominal voltage: 230 V, 50 Hz
- > Wattage: 80 W
- > Weight: 12.5 kg
- > Sound level: 0 dB(A)



7

Electrical Appliances



Version	Dim. (W x D x H) mm	Cat. No.
With decorative anthracite panel	384 x 428 x 365	568.15.584
Built-in, without decorative panel	384 x 398 x 365	568.15.084

Packing: 1 piece

Order reference

Available with door lock 35 mm on request.

→ **DM 50, 45 litres gross capacity**



- > Material: Plastic housing
- > Dim.: Drawer 302 x 430 x 330 mm, pull-out 88 x 159 x 285 mm (H x W x D), decorative panel 550 x 418 x 14 mm (W x H x D)
- > Version: Drawer for bottles (height ≤ 300 mm) or cans, pull-out for miniatures or snacks, built-in version without handle and door decoration
- > Energy consumption: 0.249 kWh/24 h
- > Energy efficiency class: A+
- > Nominal voltage: 230 V, 50 Hz
- > Wattage: 80 W
- > Weight: 23 kg
- > Sound level: 0 dB(A)

Version	Dim. (W x D x H) mm	Cat. No.
Built-in, without decorative panel	550 x 489 x 418	568.15.074

Packing: 1 piece

Order reference

Available with door lock 35 mm on request.

DGH-M 2021, HDE-en, 11/20; Dimensional data not binding. We reserve the right to alter specifications without notice.