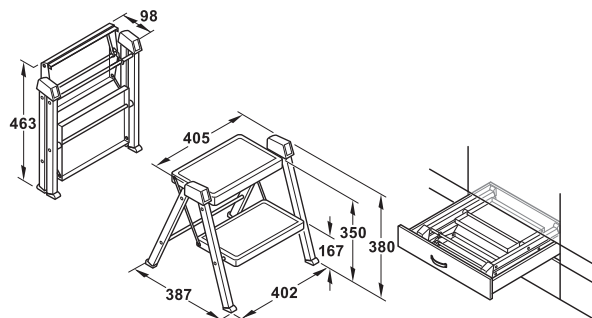


Hailo Step-Fix Step stool

- > Step folds open easily
- > Non-slip plastic feet provide stability
- > Non-slip steps made from sheet steel checker plate



- > Material: Steel
- > Version: With 2 steps 200 x 300 mm, all support points have anthracite plastic caps
- > Model: 4410
- > Load bearing capacity: 150 kg

Supplied with
1 step stool
Operating instructions

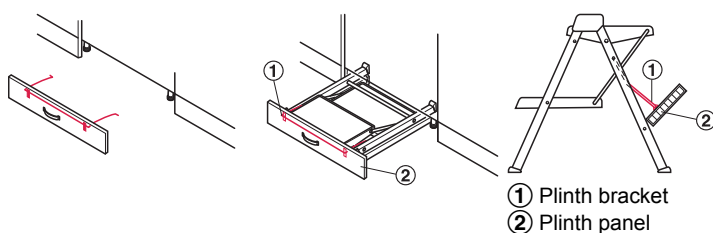
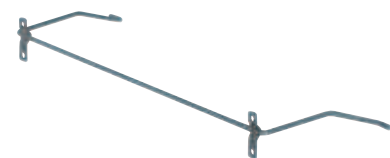
Colour	Cat. No.
Anthracite	505.04.310

Packing: 1 piece

6

Midway Systems

→ **Plinth bracket**
For hooking into step stool

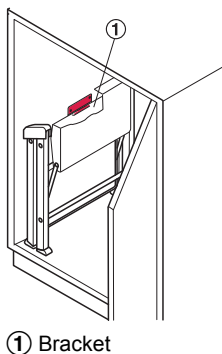


- > Material: Steel
- > Finish: Anthracite
- > Version: With lugs for attaching to plinth panel

	Cat. No.
Plinth bracket for step stool	505.04.319

Packing: 1 piece

→ **Mounting bracket**
For step stool



- > Material: Steel
- > Finish: Anthracite
- > Installation: For screw fixing

Dim. (W x D x H) mm	Cat. No.
144 x 37 x 30	505.04.322

Packing: 1 or 10 pieces

DGH-M-INT 2020, HDE-en, 05/19, Dimensional data not binding. We reserve the right to alter specifications without notice.