



Free Flap 1.7

www.hafele.com

372.91.xxx

#W7Q



B

A

2x **C**

14x
M4 x 8
DIN 965

2x **D** 372.91.599

2x **E** 372.91.499

732.23.011

	mm						
			RAL 9003	RAL 7035	RAL 9003	RAL 7035	
	250	A	1,3 - 3,8	372.91.720	372.91.320	372.91.700	372.91.300
		B	2,9 - 6,4	372.91.721	372.91.321	372.91.701	372.91.301
		C	5,4 - 11,8	372.91.722	372.91.322	372.91.702	372.91.302
	275	A	1,2 - 3,3	372.91.720	372.91.320	372.91.700	372.91.300
		B	2,5 - 5,7	372.91.721	372.91.321	372.91.701	372.91.301
		C	4,8 - 10,6	372.91.722	372.91.322	372.91.702	372.91.302
	300	A	1,1 - 3,1	372.91.720	372.91.320	372.91.700	372.91.300
		B	2,4 - 5,1	372.91.721	372.91.321	372.91.701	372.91.301
		C	4,4 - 9,6	372.91.722	372.91.322	372.91.702	372.91.302
	325	A	1,0 - 2,8	372.91.720	372.91.320	372.91.700	372.91.300
		B	2,1 - 4,6	372.91.721	372.91.321	372.91.701	372.91.301
		C	4,0 - 8,8	372.91.722	372.91.322	372.91.702	372.91.302
350	A	0,9 - 2,6	372.91.720	372.91.320	372.91.700	372.91.300	
	B	2,0 - 4,2	372.91.721	372.91.321	372.91.701	372.91.301	
	C	3,7 - 8,1	372.91.722	372.91.322	372.91.702	372.91.302	
375	A	0,9 - 2,3	372.91.720	372.91.320	372.91.700	372.91.300	
	B	1,9 - 3,8	372.91.721	372.91.321	372.91.701	372.91.301	
	C	3,5 - 7,5	372.91.722	372.91.322	372.91.702	372.91.302	
400	A	0,8 - 2,1	372.91.720	372.91.320	372.91.700	372.91.300	
	B	1,7 - 3,6	372.91.721	372.91.321	372.91.701	372.91.301	
	C	3,2 - 7,0	372.91.722	372.91.322	372.91.702	372.91.302	

12.0001.010.378.0000.00

HDE 19.12.2012

i

Y	X
16	83
19	74
22	64
26	52
28	46

16, 26, 107°, Y (≤28), X, 1,5, 167, 105, 3, 3, ≥100, 4

1

16, 12, Ø5, 38, 32, 32, 32, 37, Ø5

2

5 mm, 9 mm

i

$B^* = A - 5,5$
 $B \text{ min.} = 7,0$
 $B \text{ max.} = 13,5$

$A = K - F$

24,5 + A, 40,5 + A, 6,5, Ø9, 32, 32, A, A+15,5, Ø7,8, 90°, K, F, A, 6,5, Ø9

i

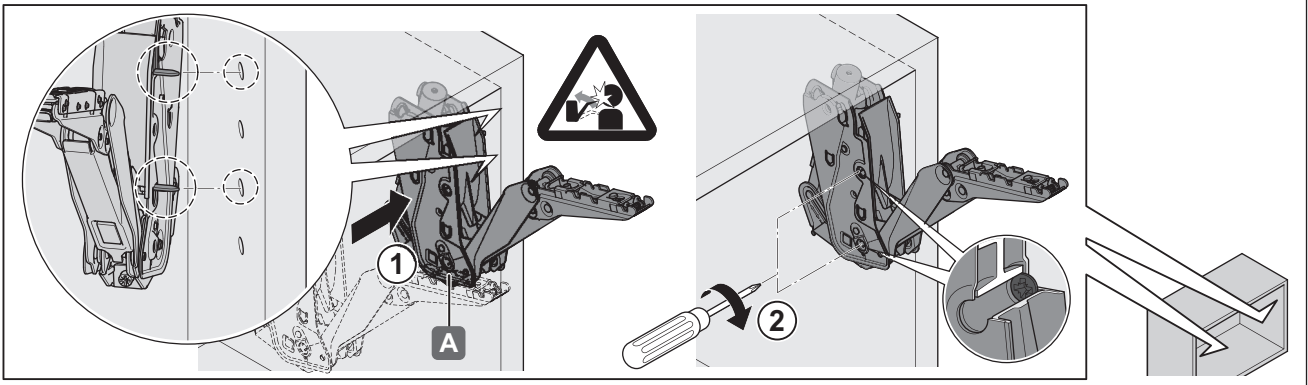
Euro ø 6,3

732.23.011

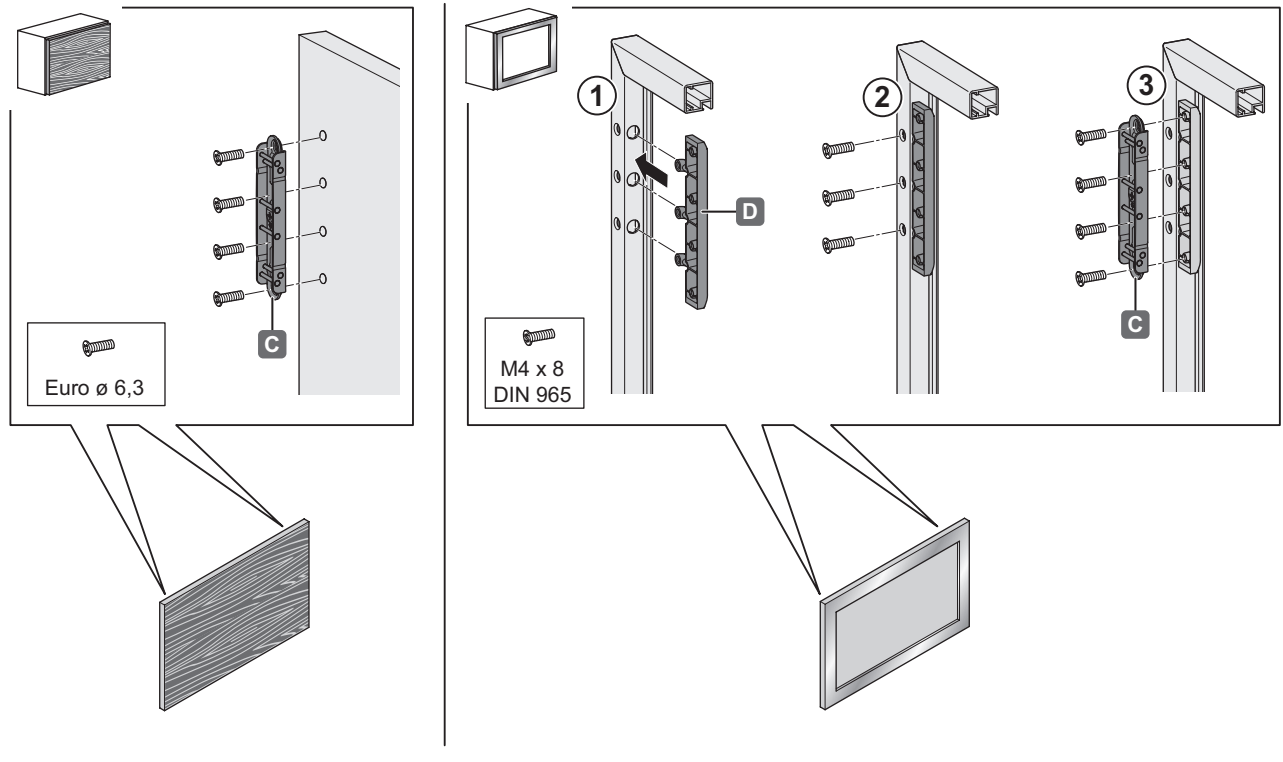
12.0001.010.378.0000.00

HDE 19.12.2012

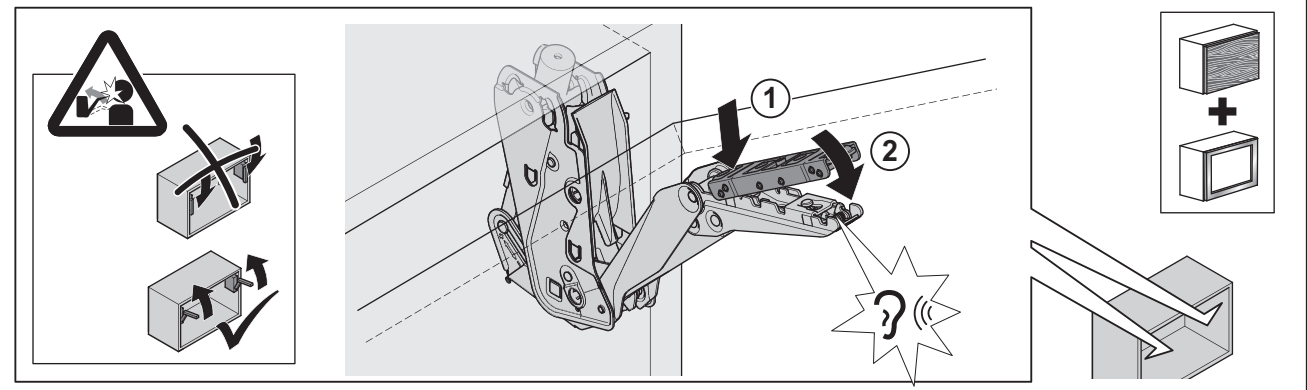
3



4



5



732.23.011

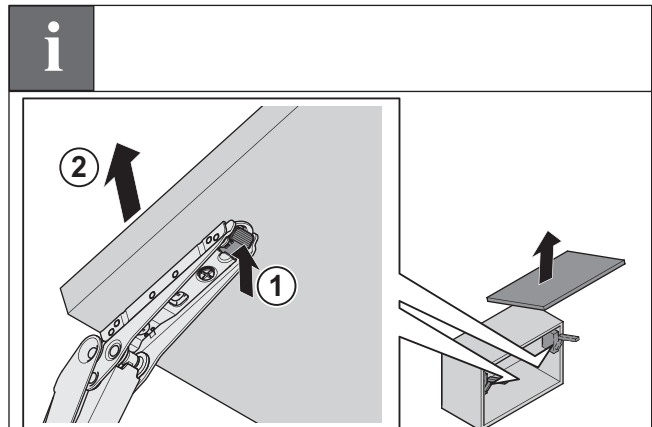
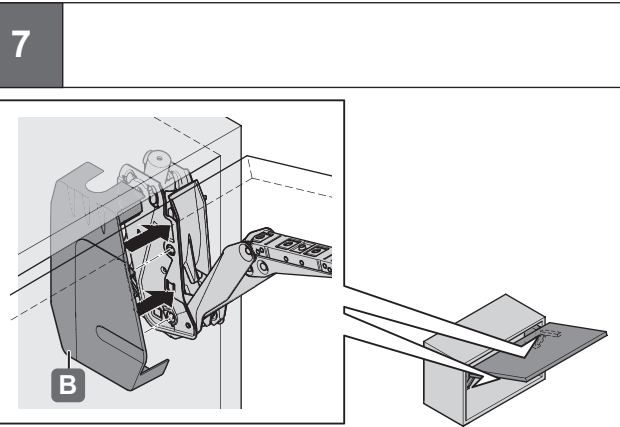
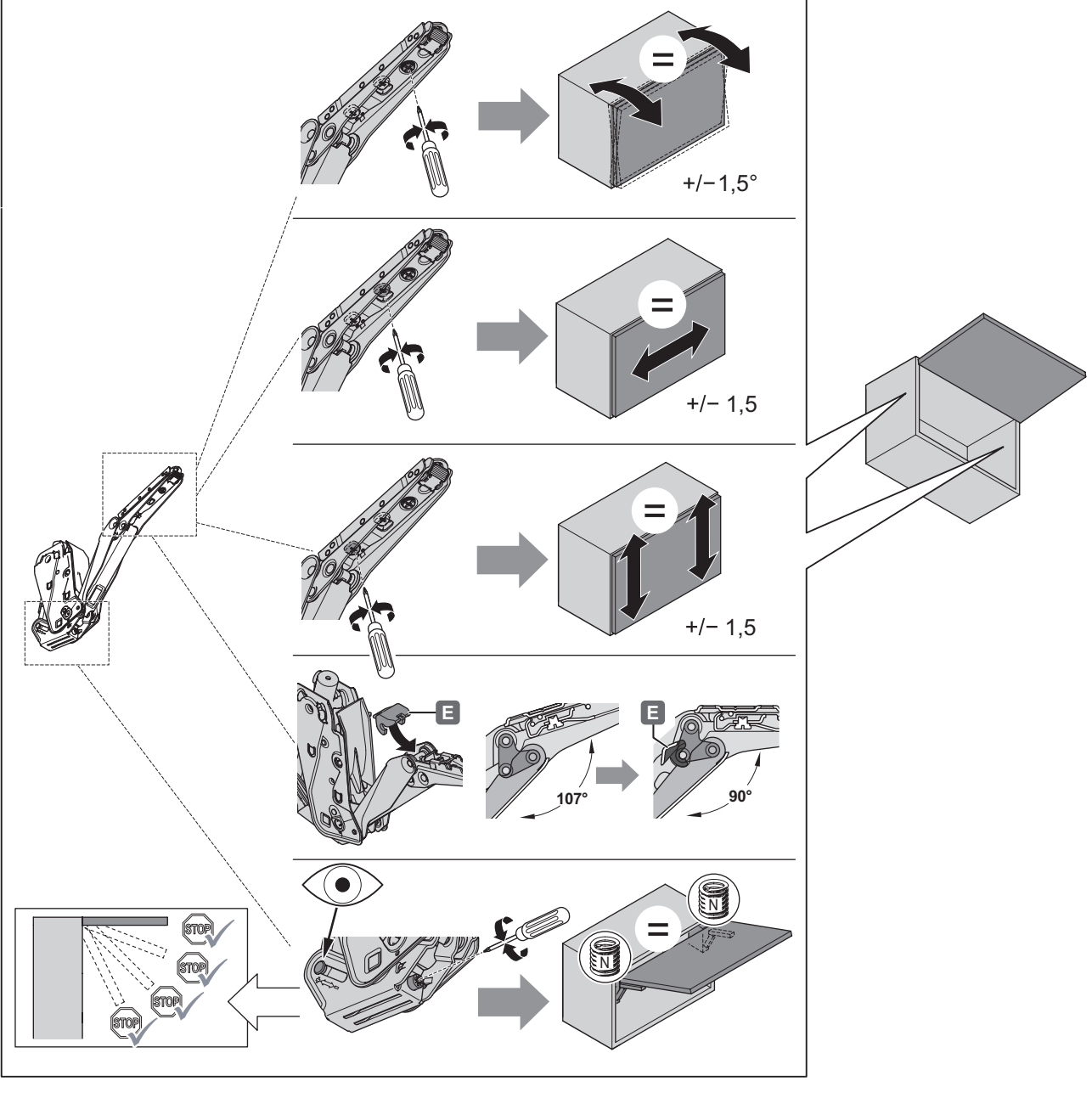
12.0001.010.378.0000.00

HDE 19.12.2012

6



PZ 2



732.23.011

12.0001.010.378.0000.00

HDE 19.12.2012