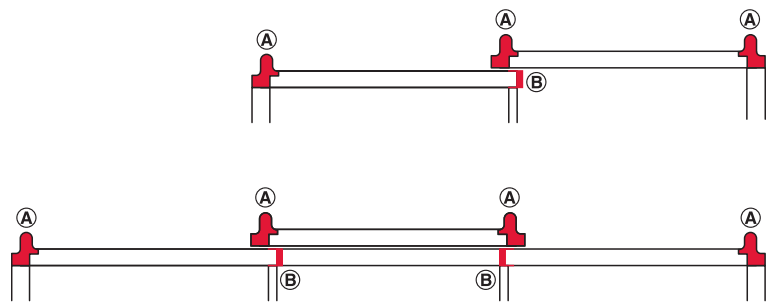
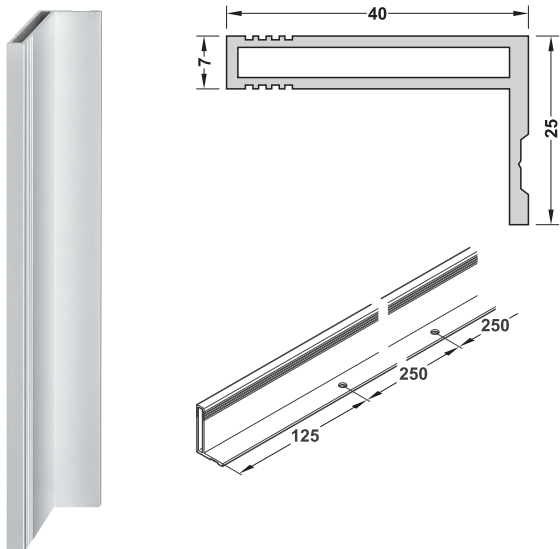




- Ⓐ = handle profile
- Ⓑ = strengthening strip



Ⓐ Handle profile



> Area of application: For screw fixing to wooden sliding doors

Length mm	Finish	Cat. No.
2500	Silver coloured anodized	126.12.900
	Stainless steel coloured anodized	155.01.670
	Matt black, RAL 9017	155.01.671

Packing: 1 piece

