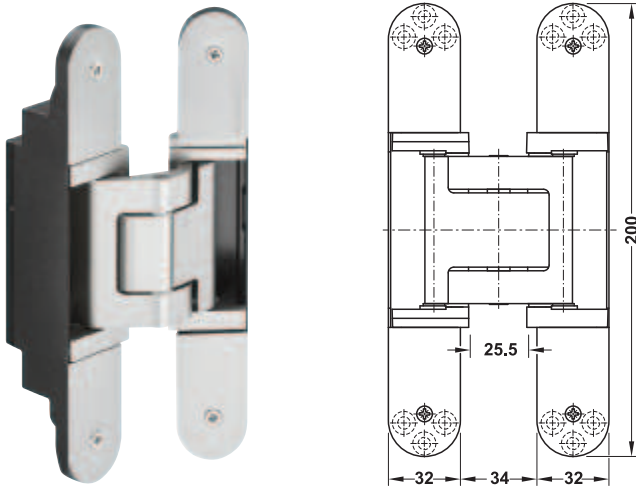


**TECTUS TE 540 3D A8**  
Concealed mortise hinge,  
size 200 mm

For flush doors up to 100 kg with doubling elements

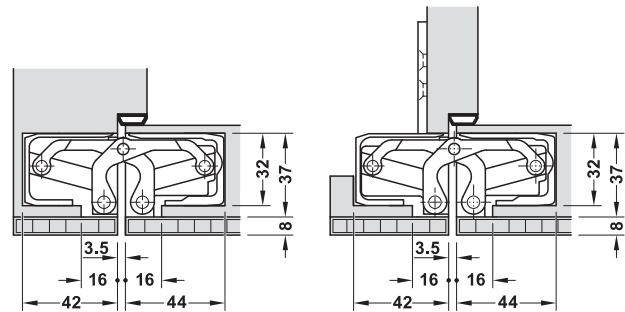


- > Area of application: For wooden, steel or aluminium frames, for doors with doubling elements up to 8 mm
- > Door weight: ≤100 kg
- > Size: 200 mm
- > Door thickness: ≥40 mm
- > Opening angle: ≤180°
- > Router bit Ø: 24 mm
- > Seal ring Ø: 30 mm
- > Adjustment facility: Continuously 3D adjustable: Side and height ±3 mm, closing pressure: ±1 mm
- > Mounting: For DIN left and DIN right hand use

**Note**

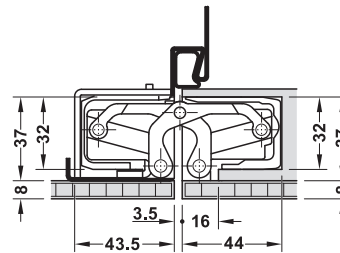
"Energy" version for permanent and invisible energy transmission from the door frame to the door leaf optionally available.

**Installation**

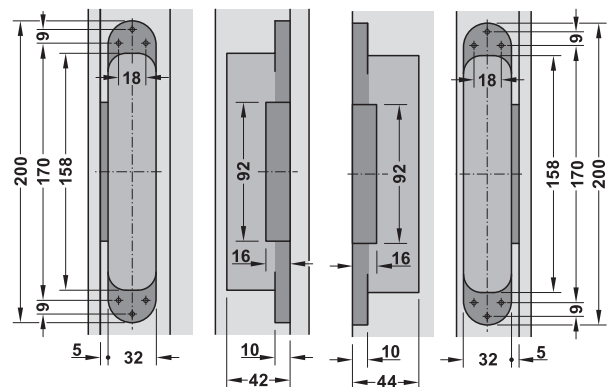


On wooden block frames

With mounting plate on wooden lining frames

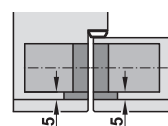


With receiver on steel frames



Routing pattern for wooden block frame, frame

Routing pattern for wooden block frame, door



Routing pattern for block frame, cross section

Material	Finish	Cat. No.
Covers: Steel, powder coated, link: Aluminium	Stainless steel design	924.17.325
	Silver coloured	924.17.323
	New silver coloured	924.17.324

Packing: 1 or 2 pieces

Mounting plate	► AH 4.47
Receiver	► AH 4.48