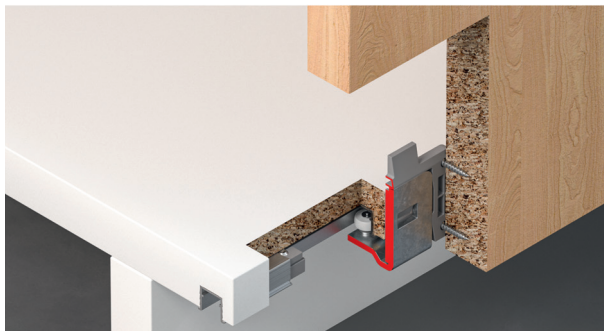
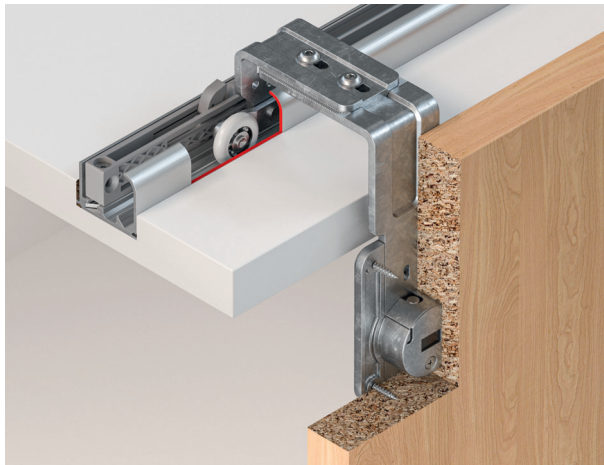


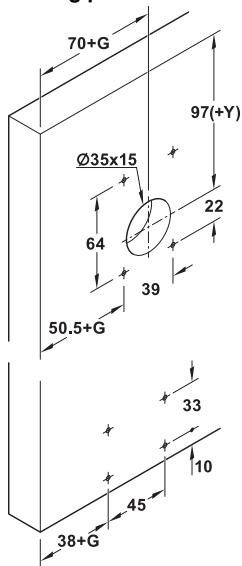
Häfele Slido F-Line31 40A



- > Door width: For 1 door: Min. 520 mm with soft closing and opening mechanism, for 2 doors: Min. 520 mm with soft closing and opening mechanism, for 3 doors: Min. 350 mm with soft closing mechanism, min. 820 mm with soft closing and opening mechanism
- > Door thickness: 19–25 mm, adjustable
- > Door stopper: Top clip-in door stopper or soft and self closing mechanism, for sliding into running track
- > Material: Housing: Zinc alloy; running gear, mounting plate and guide: Steel
- > Running gear: Top running, 2 rollers
- > Running gear guided by: Ball bearing mounted roller: Plastic, axle: Steel
- > Adjustment facility: Height ± 2 mm on running gear using adjusting wheel
- > Installation: Guide and running gear for screw fixing to door, track for screw fixing to cabinet from outside, double running track also from inside (optional)

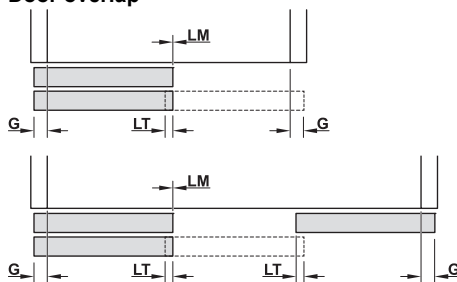
Linear Sliding Doors

Drilling pattern



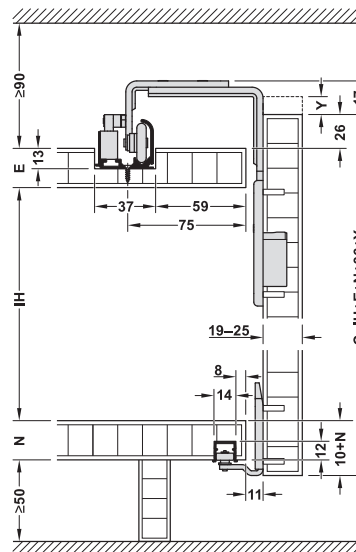
Y see installation dimensions for groove mounting
G door overlap on cabinet side panel
C door height
IH inner cabinet height
E cabinet top panel thickness
N cabinet base panel thickness

Door overlap

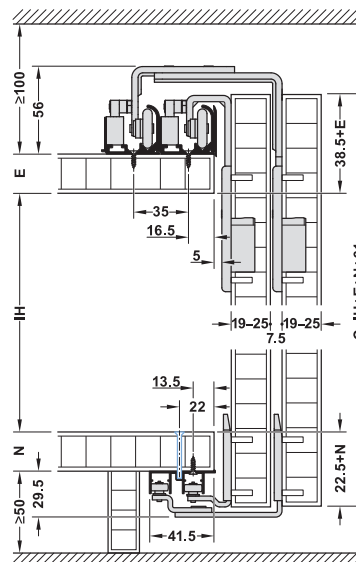


LM = door offset (0 mm)
LT = door overlap (20 mm recommended)

Installation dimensions



For groove mounting,
C =
IH + cabinet top panel thickness + cabinet base panel thickness + 10 + 26 mm + Y



For screw fixing,
C =
IH + cabinet top panel thickness + cabinet base panel thickness + 22.5 + 38.5 mm

DGH-M 2021, HDE-en, 11/20; Dimensional data not binding. We reserve the right to alter specifications without notice.

→ Set

	Version	Supplied with	Cat. No.
For 1 door	With clip-in door stopper	2 running gears 2 guides 4 door stoppers (2 with clip-in door stopper/2 stoppers)	402.31.026
	With soft and self closing mechanism on both sides, 40 kg	2 running gears 2 guides 2 door stoppers (2 stoppers) 2 soft and self closing mechanisms	402.31.027
For 2 doors	With clip-in door stopper	4 running gears 4 guides 8 door stoppers (4 with clip-in door stopper/4 stoppers)	402.31.028
	With soft and self closing mechanism on both sides, 40 kg	4 running gears 4 guides 4 door stoppers (4 stoppers) 4 soft and self closing mechanisms	402.31.029
For 3 doors	With clip-in door stopper	6 running gears 6 guides 12 door stoppers (6 with clip-in door stopper/6 stoppers)	402.31.030
	With soft and self closing mechanism on one side, 40 kg	6 running gears 6 guides 9 door stoppers (3 with clip-in door stopper/6 stoppers) 3 soft and self closing mechanisms	402.31.031
	With soft and self closing mechanism on both sides, 40 kg	6 running gears 6 guides 6 door stoppers (6 stoppers) 4 soft and self closing mechanisms	402.31.032

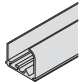
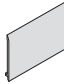
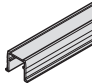
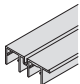

Packing: 1 set

Order reference

Please order running and guide tracks separately.

Please order soft closing mechanism set for centre door of 3-leaf sliding doors separately.

→ Tracks and accessories

		Cabinet top panel thickness mm	Material	Finish/colour	Length m	Cat. No.
Single top running track, for screw fixing or groove mounting, pre-drilled		–	Aluminium	Silver coloured anodized	2.5	402.31.654
					3.5	402.31.655
Fascia profile for top running track, with adhesive strips for sticking on		–	Aluminium	Silver coloured anodized	2.5	402.31.692
					3.5	402.31.693
Single bottom guide track, for press fitting and glue fixing into groove 14 mm		Min. 19	Aluminium	Bright	2.5	402.31.632
					3.5	402.31.633
Double bottom guide track, with stop strip, for screw fixing to cabinet base panel		–	Aluminium	Silver coloured anodized	2.5	402.31.842
					3.5	402.31.843
Soft closing mechanism set for centre door, for 3-leaf sliding doors (1 soft closing mechanism and activator)		–	–	Black	–	402.31.325

Packing: 1 piece

Order reference

2 single running tracks must be mounted parallel in order to make a double running track.

Please consider when selecting the quantity.

Planofit straightening fitting ► MB 10.228

Handles for sliding doors ► MB 10.233