

## Häfele Slido F-Handle26 handle profile system

With optional lighting and straightening fitting in the profile



Silver coloured, Stainless steel coloured anodized and Black anodized

- > Numerous profile designs in 3 colours
- > For Vorfront and Infront solutions
- > For door thicknesses from 16–25 mm
- > Versions for Loox LED lighting, including motion sensor and power supply with battery compartment
- > Option of integrating a straightening fitting in the handle profile
- > T-groove for brush seal



### Model A – Handle profile

- > For Infront and Vorfront solutions
- > Door thickness: 16–25 mm
- > T-groove for brush seal
- > With optional profile chamber for straightening fitting
- > Different design variants



### Model B – Strengthening profile

- > For Infront and Vorfront solutions
- > Door thickness: 18–25 mm
- > T-groove for brush seal
- > Eith optional profile chamber for straightening fitting

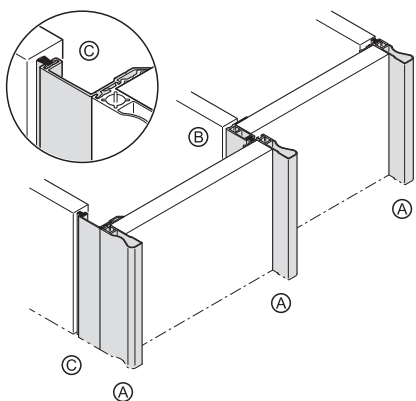
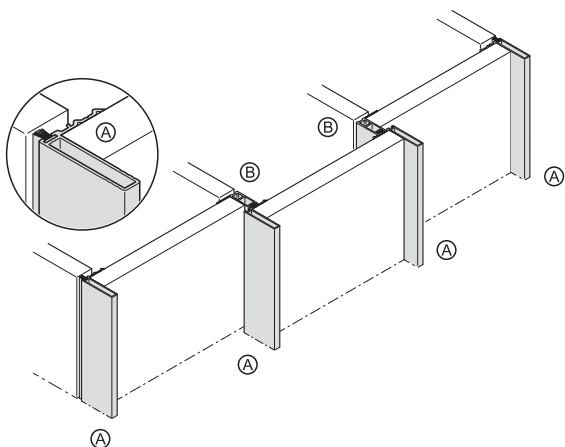


### Model C – Spacer profile

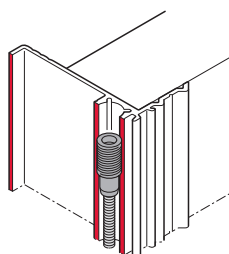
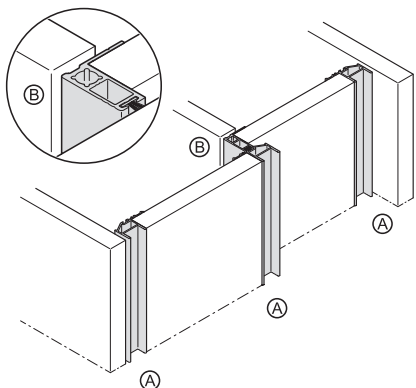
- > For Vorfront solutions, outer door leaf
- > As supplement to model A
- > In 2 spacer versions
- > T-groove for brush seal



### Vorfront

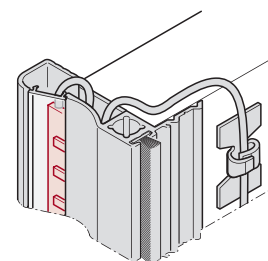


### Infront



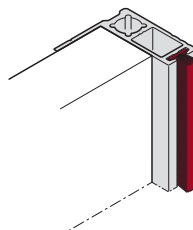
### Straightening fitting

- > For inserting into the handle profile
- > For chipboard up to 25 mm
- > Length individually adjustable
- > Can be retrofitted



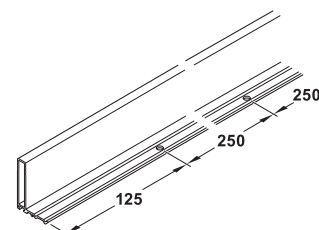
### LED lighting

- > Optimum cabinet lighting
- > With motion sensor
- > Supply unit with battery compartment at the front-rear



### Brush seal

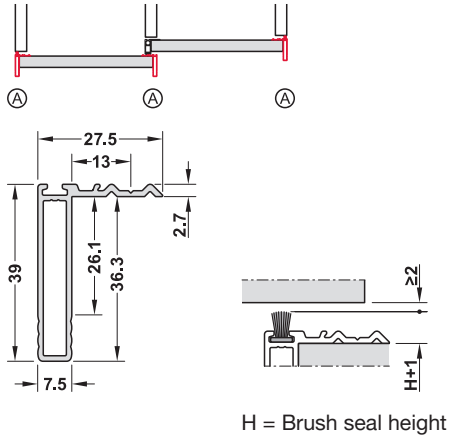
- > Can be cut to size
- > In different thicknesses
- > In grey and black



### Installation

- > Pre-drilled with recesses for screw heads
- > Snap-in profile for connecting handle profiles A to spacer profiles C

### Häfele Slido F-Handle26 A1 Handle Profile

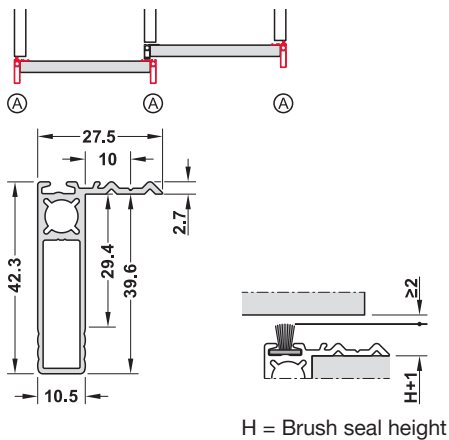


- > Area of application: For Vorfront
- > For door thickness: 16–25 mm
- > Version: With holder for brush seal with foot width 4.8 mm
- > Material: Aluminium
- > Installation: For screw fixing
- > Hole spacing: 250 mm

Model	Length mm	Colour/finish	Cat. No.
A1	2500	Silver coloured, anodized	400.04.400
		Black, powder coated	400.04.401
		Stainless steel coloured, anodized	400.04.402

Packing: 1 Piece

### Häfele Slido F-Handle26 A2 Handle Profile

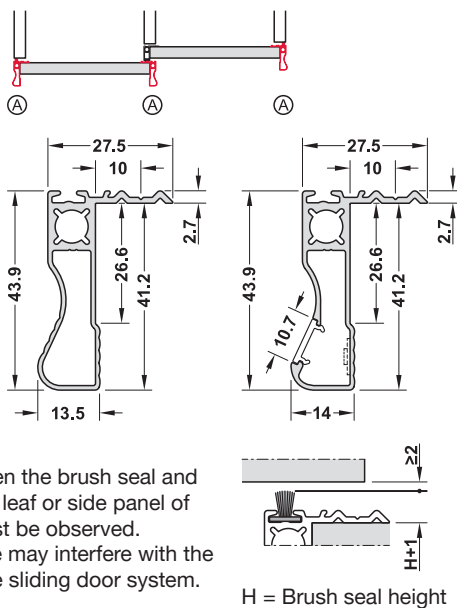


- > Area of application: For Vorfront
- > For door thickness: 16–25 mm
- > Version: With holder for straightening fitting, With holder for brush seal with foot width 6.9 mm
- > Material: Aluminium
- > Installation: For screw fixing
- > Hole spacing: 250 mm

Model	Length mm	Colour/finish	Cat. No.
A2	2500	Silver coloured, anodized	400.04.403
		Black, powder coated	400.04.404
		Stainless steel coloured, anodized	400.04.405

Packing: 1 Piece

### Häfele Slido F-Handle26 A3 LED Handle Profile



#### Note

A distance between the brush seal and the opposite door leaf or side panel of at least 2 mm must be observed. A smaller distance may interfere with the functionality of the sliding door system.

- > Area of application: For Vorfront
- > For door thickness: 16–25 mm
- > Version: With and without diffuser for LED, With holder for straightening fitting, With holder for brush seal with foot width 6.9 mm
- > Material: Aluminium
- > Other materials/colours: Diffuser: Plastic
- > Installation: For screw fixing
- > Hole spacing: 250 mm

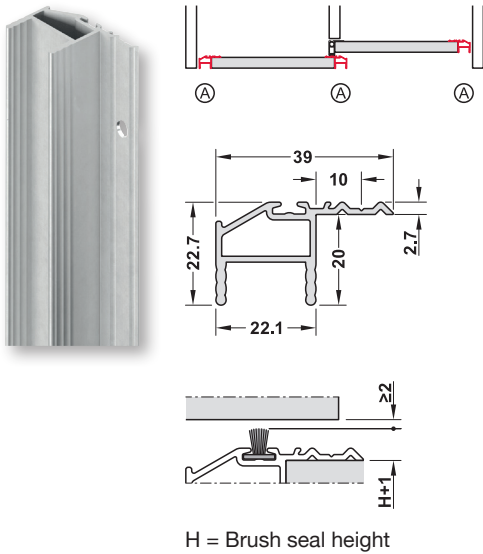
Model	Length mm	Colour/finish	Cat. No.
A3	2500	Silver coloured, anodized	400.04.406
		Stainless steel coloured, anodized	400.04.408
		Black, frosted, powder coated	400.04.407
A3 LED incl. diffuser	2500	Silver coloured, anodized	400.04.409
		Stainless steel coloured, frosted, anodized	400.04.411
		Black, frosted, powder coated	400.04.410

Packing: 1 Piece

Brush seal ► MB 1.294 E  
 Straightening fitting for Häfele Slido F-Handle26 ► MB 1.294 E

Cabinet lighting for handle profile ► MB 1.294 F

### Häfele Slido F-Handle26 A6 Handle Profile



- > Area of application: For Infront and Vorfront
- > For door thickness: 18–19 mm
- > Version: With holder for brush seal with foot width 6.9 mm
- > Material: Aluminium
- > Installation: For screw fixing
- > Hole spacing: 250 mm

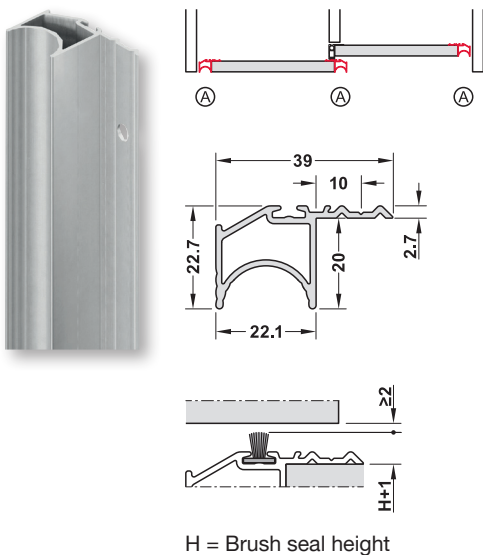
**Note**

A distance between the brush seal and the opposite door leaf or side panel of at least 2 mm must be observed. A smaller distance may interfere with the functionality of the sliding door system.

Model	Length mm	Colour/finish	Cat. No.
A6	2500	Silver coloured, anodized	400.04.415
		Black, powder coated	400.04.416
		Stainless steel coloured, anodized	400.04.417

Packing: 1 Piece

### Häfele Slido F-Handle26 A7 Handle Profile



- > Area of application: For Infront and Vorfront
- > For door thickness: 18–19 mm
- > Version: With holder for brush seal with foot width 6.9 mm
- > Material: Aluminium
- > Installation: For screw fixing
- > Hole spacing: 250 mm

**Note**

A distance between the brush seal and the opposite door leaf or side panel of at least 2 mm must be observed. A smaller distance may interfere with the functionality of the sliding door system.

Model	Length mm	Colour/finish	Cat. No.
A7	2500	Silver coloured, anodized	400.04.418
		Black, powder coated	400.04.419
		Stainless steel coloured, anodized	400.04.420

Packing: 1 Piece

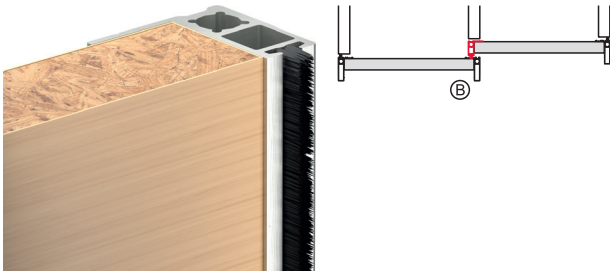
DGH-M 2021, HDE-en, 10/20; Dimensional data not binding. We reserve the right to alter specifications without notice.

Brush seal

► MB 1.294 E

07.05.2024  
WS 840

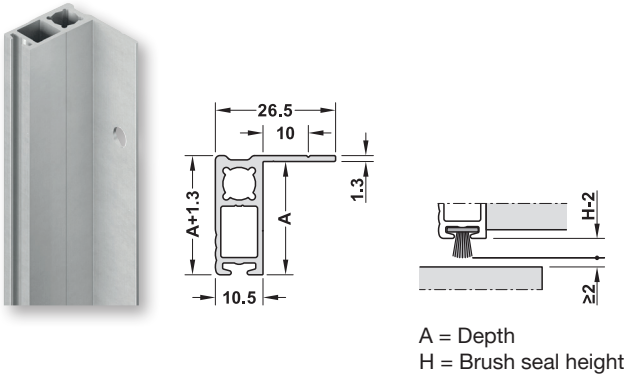
### Häfele Slido F-Handle26 B Strengthening Strip



- > Area of application: For Infront and Vorfront
- > Version: With holder for straightening fitting, With holder for brush seal with foot width 6.9 mm
- > For door thickness: 18–25 mm
- > Material: Aluminium
- > Installation: For screw fixing
- > Hole spacing: 250 mm

**Note**

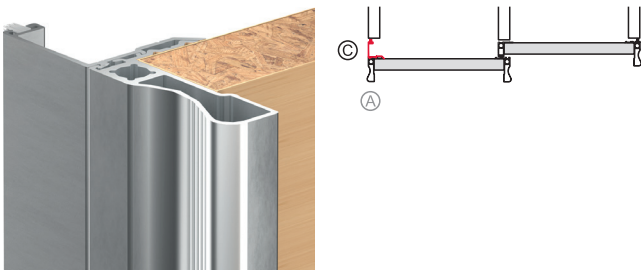
A distance between the brush seal and the opposite door leaf or side panel of at least 2 mm must be observed. A smaller distance may interfere with the functionality of the sliding door system.



Model	Length mm	Depth mm	For door thickness mm	Area of application	Silver coloured, anodized	Black, powder coated	Stainless steel coloured, anodized
B	2500	19	18–20	For Vorfront, for Infront (door thickness ≤19 mm)	400.04.421	400.04.422	400.04.423
		22	20–23	For Vorfront	400.04.424	400.04.425	400.04.426
		25	23–25	For Vorfront	400.04.427	400.04.428	400.04.429

Packing: 1 Piece

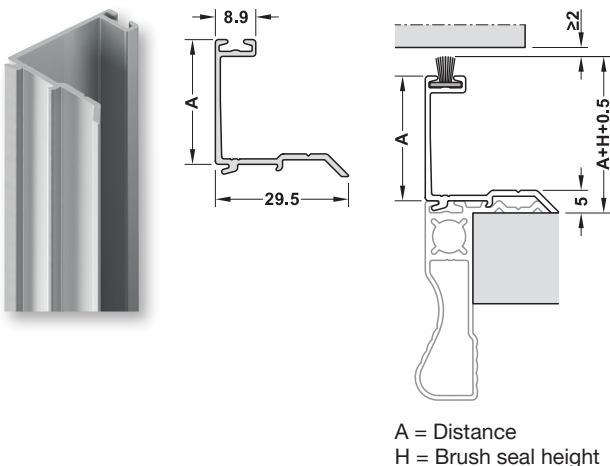
### Häfele Slido F-Handle26 C Spacer Profile



- > Area of application: For Vorfront, For covering the distance of outer door to the cabinet
- > Version: With holder for brush seal with foot width 6.9 mm
- > Material: Aluminium
- > Installation: For clipping into the T-groove of the Slido F-Handle26 A handle profile
- > Hole spacing: 250 mm

**Note**

A distance between the brush seal and the opposite door leaf or side panel of at least 2 mm must be observed. A smaller distance may interfere with the functionality of the sliding door system.



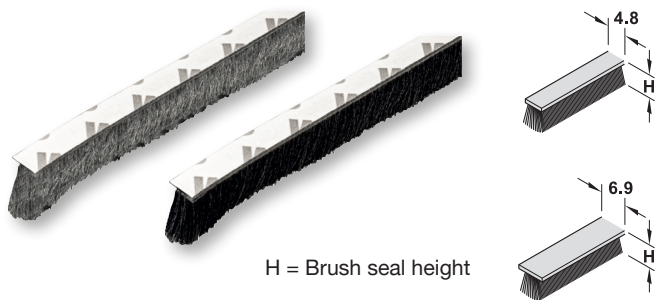
Model	Length mm	Distance mm	Colour/finish	Cat. No.
C	2500	27.5	Silver coloured, anodized	400.04.430
		27.5	Black, powder coated	400.04.431
		27.5	Stainless steel coloured, anodized	400.04.432
		33.0	Silver coloured, anodized	400.04.433
		33.0	Black, powder coated	400.04.434
		33.0	Stainless steel coloured, anodized	400.04.435

Packing: 1 Piece

Brush seal ▶ MB 1.294 E

Straightening fitting for Häfele Slido F-Handle26 ▶ MB 1.294 E

## Brush Seal



H = Brush seal height

- > Area of application: For sliding doors, for protecting the inside of the cabinet from dust
- > Material: Artificial hair
- > Installation: For inserting into T-groove of F-Handle26 handle profiles

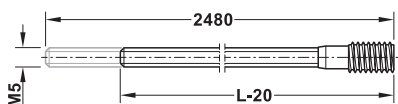
### Note

A distance between the brush and the opposite door leaf or side panel of at least 2 mm must be observed. A smaller distance may interfere with the functionality of the sliding door system.

Length mm	Width mm	Suitable for	Height mm	Telegrey, similar to RAL 7045	Black
2500	4.8	Slido F-Handle26 A1 handle profiles	6	403.54.504	400.58.121
			9	403.54.505	400.58.122
			12	400.58.120	400.58.123
	6.9	Slido F-Handle26 A2, A3, A6, A7 handle profiles, Slido F-Handle26 B strengthening profile, Slido F-Handle26 C spacer profile	6	403.54.501	400.58.117
			9	403.54.502	400.58.118
			12	403.54.503	400.58.119

Packing: 1 Piece

## Häfele Slido D-Handle26 Straightening Fitting



L = Handle profile length,  
Cut threaded rod to size (L - 20 mm)

- > Area of application: In combination with Slido F-Handle26 A handle profiles, for hinged and sliding doors, prevents doors warping in either direction or straightens door leaves which have become warped
- > For door thickness: 16–25 mm
- > For door width: ≤1250 mm
- > Material: Threaded bar and threaded sleeves: Steel
- > Installation: For inserting into the slots in the profile provided for this purpose
- > Functioning principle: The door leaf is aligned by tightening the threaded bar in the handle profile
- > Adjustment facility: With SW4 hex key

### Supplied with

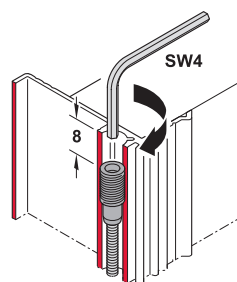
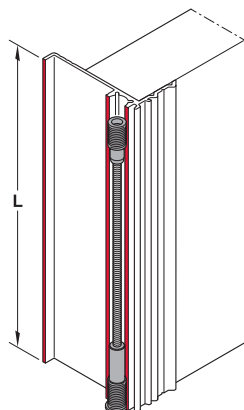
2 threaded bars, M5, with threaded sleeve M5/M8  
2 threaded nuts M5/M8  
Mounting accessories

For door height mm	Cat. No.
1000–2500	400.04.000

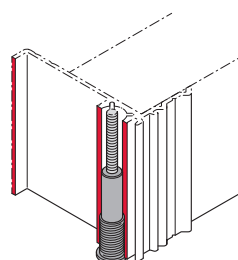
Packing: 1 Set

### Order reference

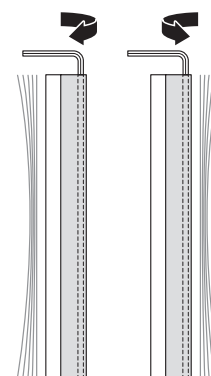
2 straightening fittings (1 set) recommended per door leaf.



Zero position of threaded nut recessed approx. 8 mm in profile



The door leaf can be straightened in both directions by turning the threaded sleeve with the hex key SW4.

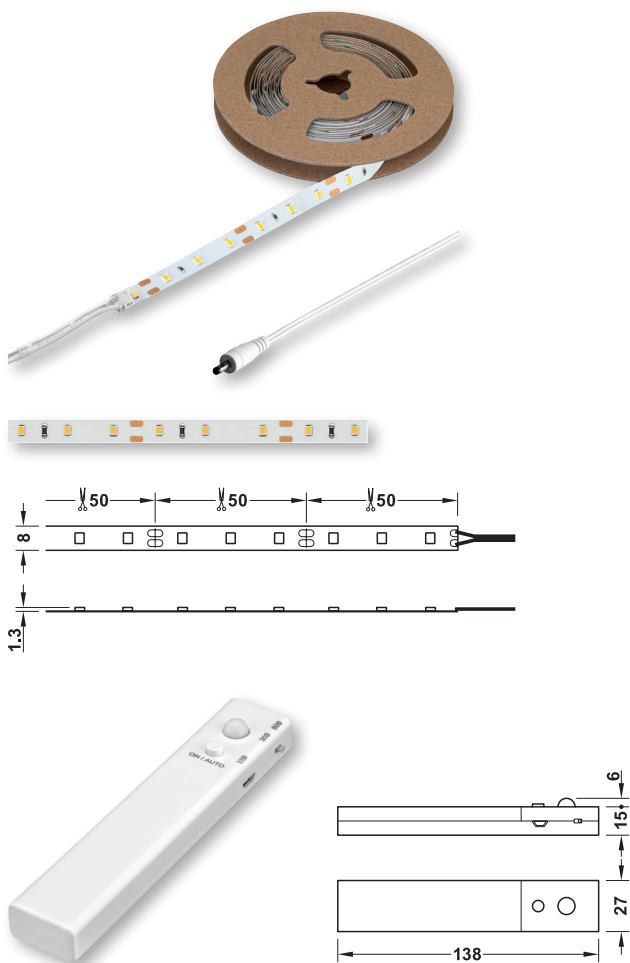


### Cabinet Light for Slido F-Handle26 A3 LED handle profile

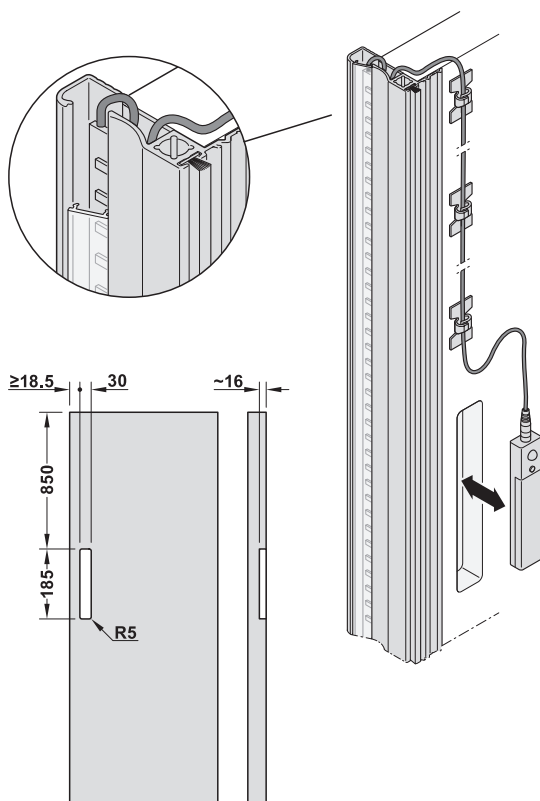
1

#### LED strip light with supply unit

Handle profiles, edge pull handles



Supply unit with motion sensor, for battery operation



- > Cabinet illumination from the front
- > Battery supply for easy installation and flexible use



- > Area of application: Internal cabinet lighting
- > Version: LED strip light with supply unit for Slido F-Handle26 A3 LED handle profile  
Control options: Permanent operation (via integrated switch) or sensor operation (via integrated motion sensor, 30 and 60 seconds)
- > Strip width: 8 mm
- > Strip length: 2.5 m
- > Section length: 50 mm
- > Life time: L80/B10 >30000 h, L70/B50 >50000 h
- > Colour temperature: 3000 K
- > Light colour: Warm white
- > Colour rendering index Ra: >90
- > Wattage/m: 2 W
- > Luminous efficacy: 70 lm/W
- > Nominal voltage: 5 V
- > Ambient temperature: -10-40 °C
- > Degree of protection: IP20
- > Installation: For glue fixing
- > Installation reference: LED strip light: Self-adhesive, supply unit: Milled in, Velcro fastening at the rear of the door

#### Supplied with

LED strip light 2.5 m with connecting cable  
Supply unit with battery compartment  
USB-A charging cable for optional battery mode  
Velcro strip



#### Area of application

For Slido F-Handle26 A3 LED handle profile

#### Cat. No.

833.87.031

Packing: 1 Piece

#### Order reference

Please order 4 AAA Micro rechargeable battery packs (Cat. No. 910.54.976) separately.  
Please order cable holder self-adhesive (Cat. No. 079.00.058) separately.

DGH-M 2021, HDE-en, 10/20; Dimensional data not binding. We reserve the right to alter specifications without notice.