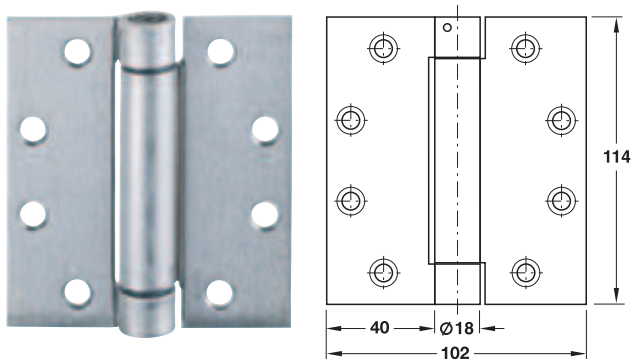
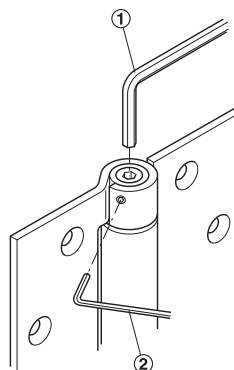
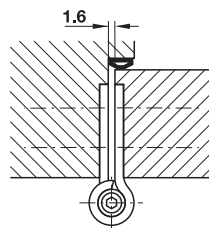


## Spring hinge



- > Area of application: For wooden or steel frames, for flush wooden or steel interior doors
- > Door weight: ≤60 kg with 3 door hinges
- > Knuckle Ø: 18 mm
- > Flange thickness: 3.4 mm
- > Adjustment facility: Spring force can be adjusted and fixed
- > Bearing: Maintenance-free friction bearing technology
- > Mounting: For DIN left and DIN right hand use

## Installation



- ① Adjustment of spring force
- ② Fixing set spring force

### Loosen:

- > Loosen safety lock screw on the side of the hinge knuckle
- > Press down and simultaneously turn the hex socket head screw in the hinge knuckle anti-clockwise.  
Repeat this action until the hinge is completely loosened.  
Then install the hinges.

### Tighten:

- > Turn the hex socket head screw in the hinge knuckle clockwise and adjust spring force of all hinges equally as required
- > Re-tighten safety lock screw



4

Flange width mm	Material	Finish	Cat. No.
40	Stainless steel	Satin	926.35.003

Packing: 2 pieces

### Order reference

Fixing screws for wooden frames and doors supplied.