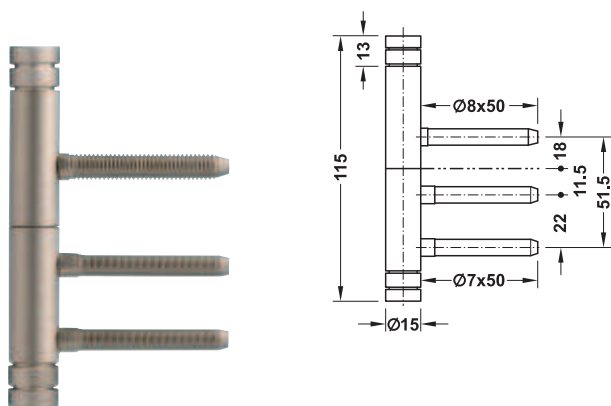


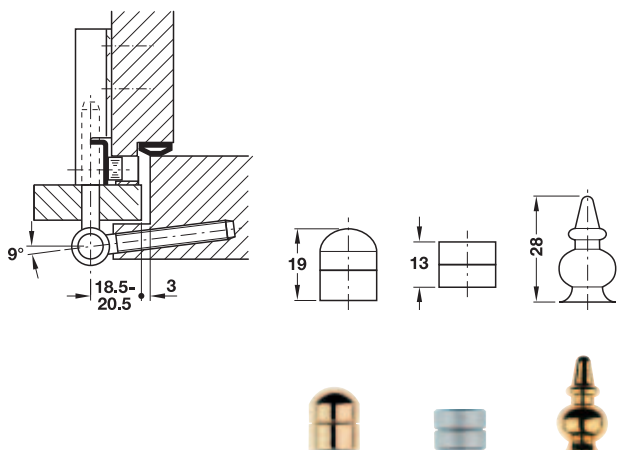
V 3420 WF Drill-in hinge

For rebated doors up to 40 kg,
with decorative finial, for receiver



- > Area of application: For wooden frames, for rebated wooden interior doors
- > Version: Choice of different finial designs
- > Material: Steel
- > Door weight: ≤40 kg
- > Knuckle Ø: 15 mm
- > Drill bit Ø: 6.8 or 7.2 mm
- > Overlay distance: ≥12 mm
- > Bearing: Maintenance-free friction bearing technology
- > Mounting: For DIN left and DIN right hand use
- > For use in combination with receiver

Installation

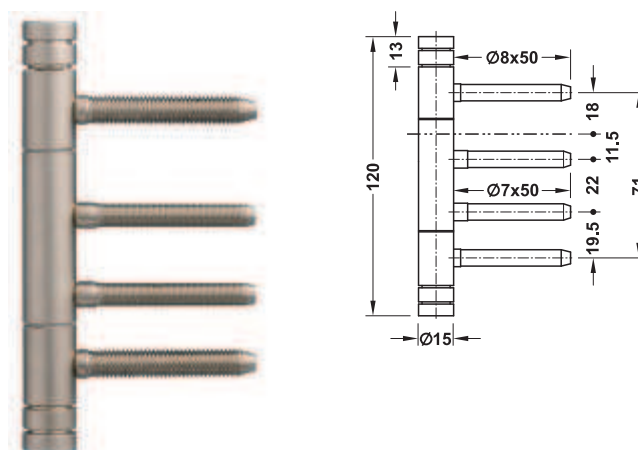


Finish	Soft	Basic	ZK
Gold plated	922.04.182	–	922.01.582
Matt nickel plated	922.04.171	922.04.071	–
Matt chrome plated	922.04.141	922.04.041	–
Polished chrome plated	922.04.140	922.04.040	–

- Mounting aid VARIANT plastic drilling jig ▶ BB 6.58
- Receiver for lining frames, screw-on pocket of VARIANT V 3610 series ▶ BB 6.41
- Receiver for block frames and blind frames, VARIANT V 3604, V 3605 self-locking nut ▶ BB 6.41
- Receiver for lining frames, block frames and blind frames, VARIANT V 3607 clamping block ▶ BB 6.42

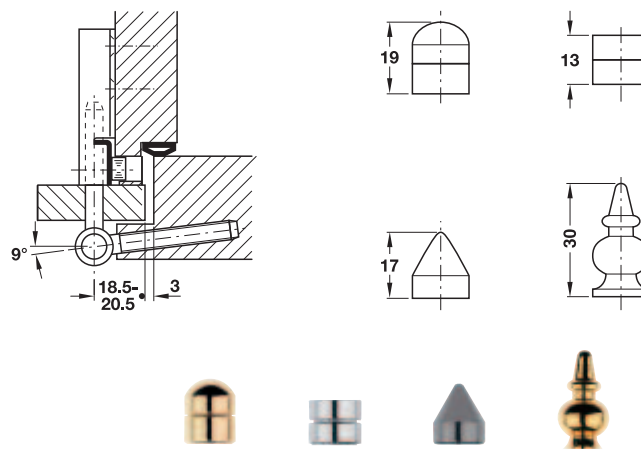
V 4426 WF Drill-in hinge

For rebated doors up to 70 kg,
with decorative finial, for receiver



- > Area of application: For wooden frames, for rebated wooden interior doors
- > Version: Choice of different finial designs
- > Material: Steel
- > Door weight: ≤70 kg
- > Knuckle Ø: 15 mm
- > Drill bit Ø: 6.8 or 7.2 mm
- > Overlay distance: ≥12 mm
- > Bearing: Maintenance-free friction bearing technology
- > Mounting: For DIN left and DIN right hand use
- > For use in combination with receiver

Installation



Finish	Soft	Basic	Top	ZK
Gold plated	922.04.682	922.04.582	–	922.01.682
Matt nickel plated	922.04.671	922.04.571	922.04.771	–
Matt chrome plated	922.04.641	922.04.541	–	–
Polished chrome plated	922.04.640	922.04.540	–	–

- Mounting aid VARIANT plastic drilling jig ▶ BB 6.58
- Receiver for lining frames, screw-on pocket of VARIANT V 3610 series ▶ BB 6.41
- Receiver for block frames and blind frames, VARIANT V 3604, V 3605 clamping block ▶ BB 6.41
- Receiver for lining frames, block frames and blind frames, VARIANT V 3607 clamping block ▶ BB 6.42

