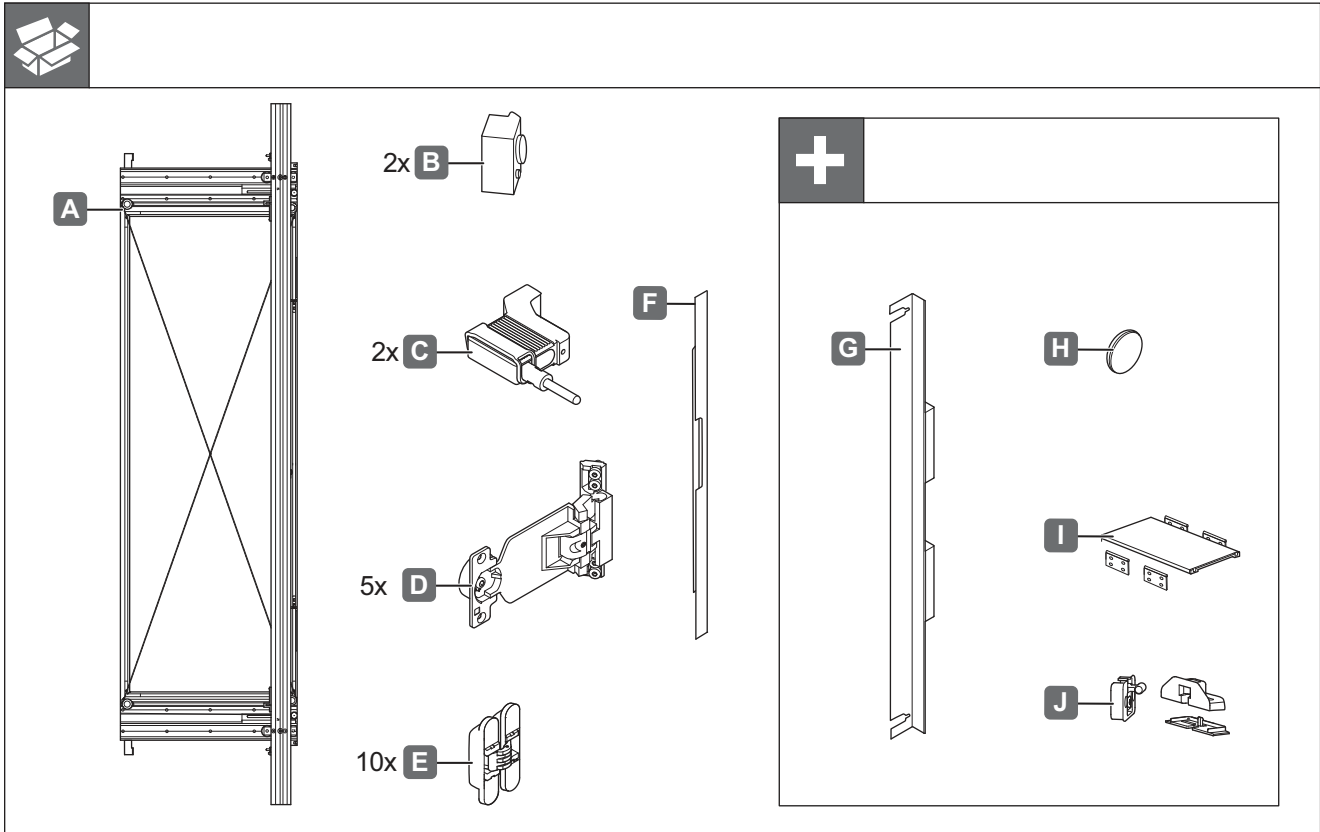
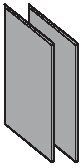




Finetta Spinfront

408.45.008 408.45.012
 408.45.010 408.45.013
 408.45.011



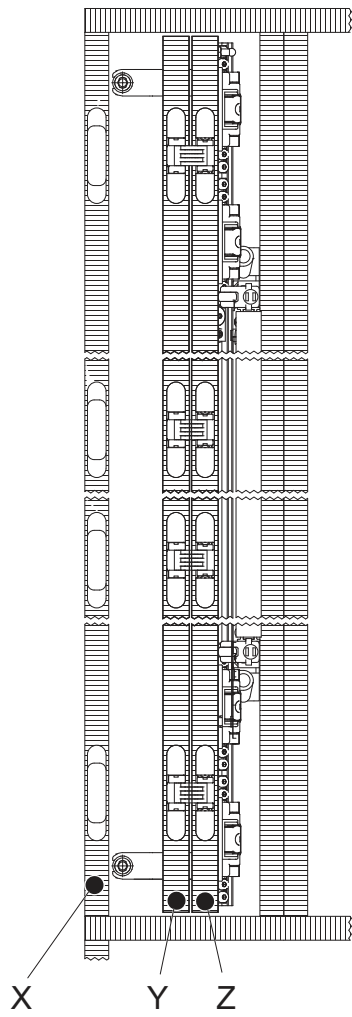
732.24.441

i		„mm“	
Pb: 805 Hp: 1200 - 1400	$L_p \leq 600$ $L_b \leq 1205$	18 - 30	≤ 60 (30+30)
Pb: 805 Hp: 1990 - 2200			
Pb: 805 Hp: 2200 - 2700			
Pb: 905 Hp: 1990 - 2200	$L_p \leq 700$ $L_b \leq 1405$		
Pb: 905 Hp: 2200 - 2700			

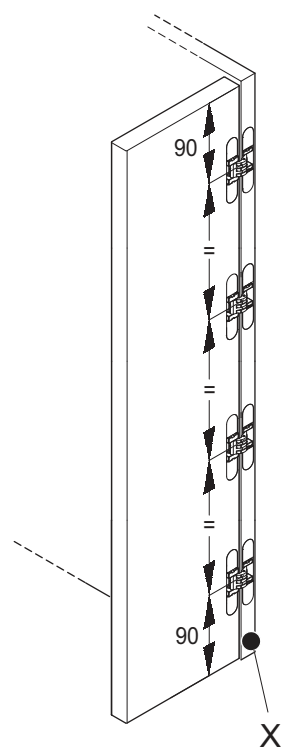
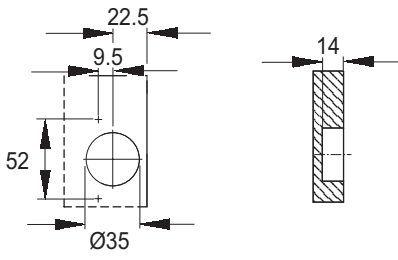
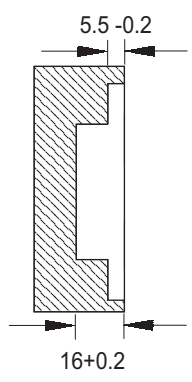
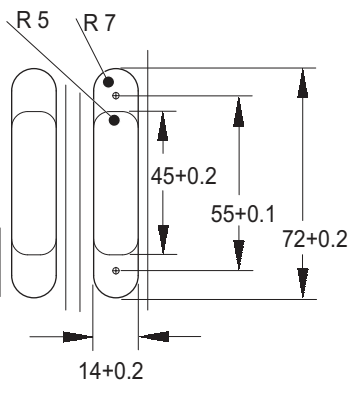
HDE 10/2015

i

„mm“



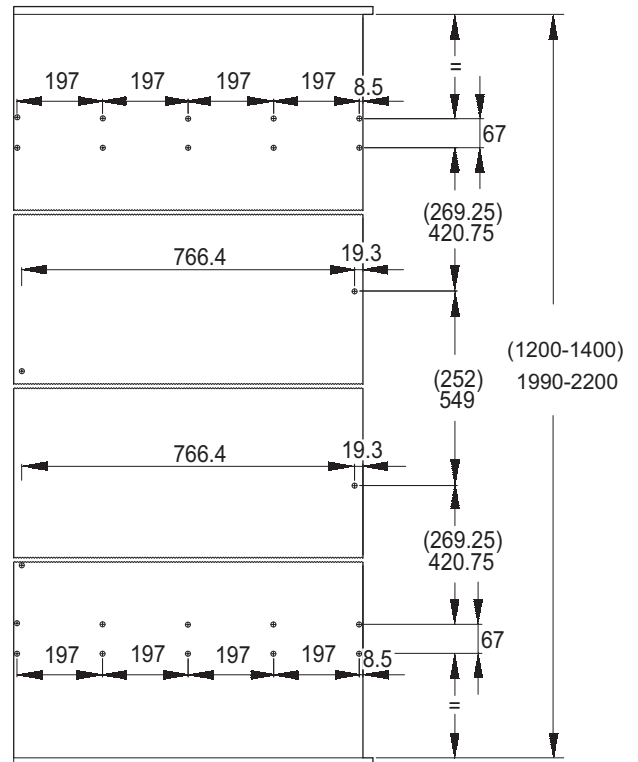
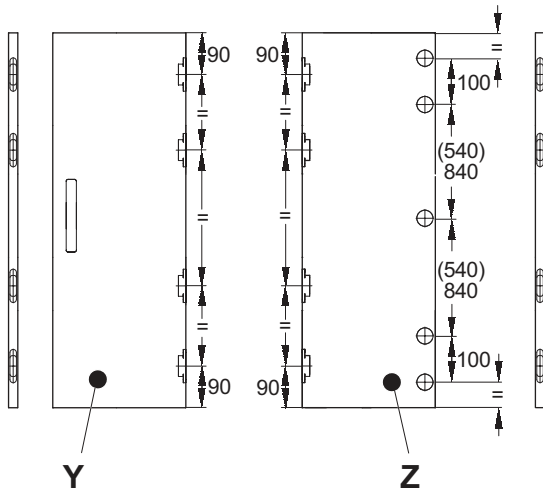
Sp 18 = 2
Sp (≥20) = (≤3)



732.24.441

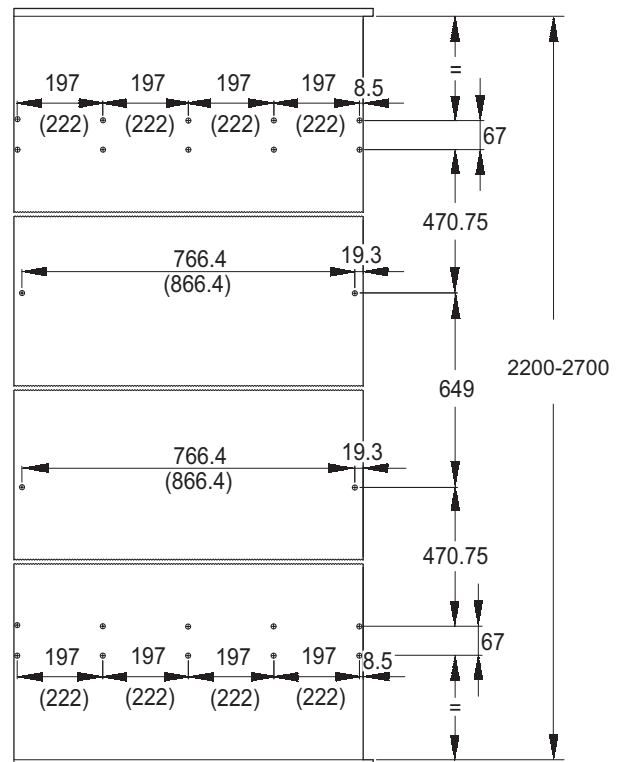
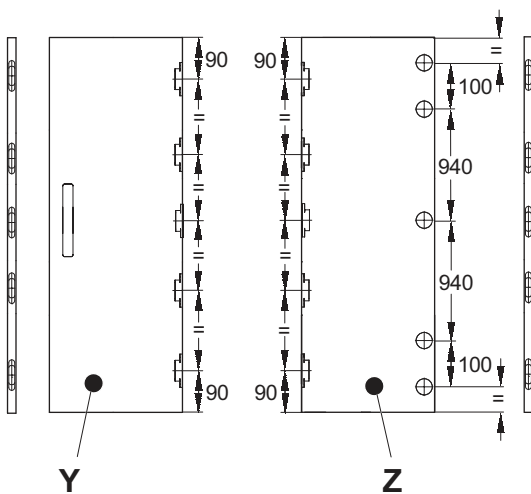
HDE 10/2015

Hp: (1200-1400) / 1990 - 2200



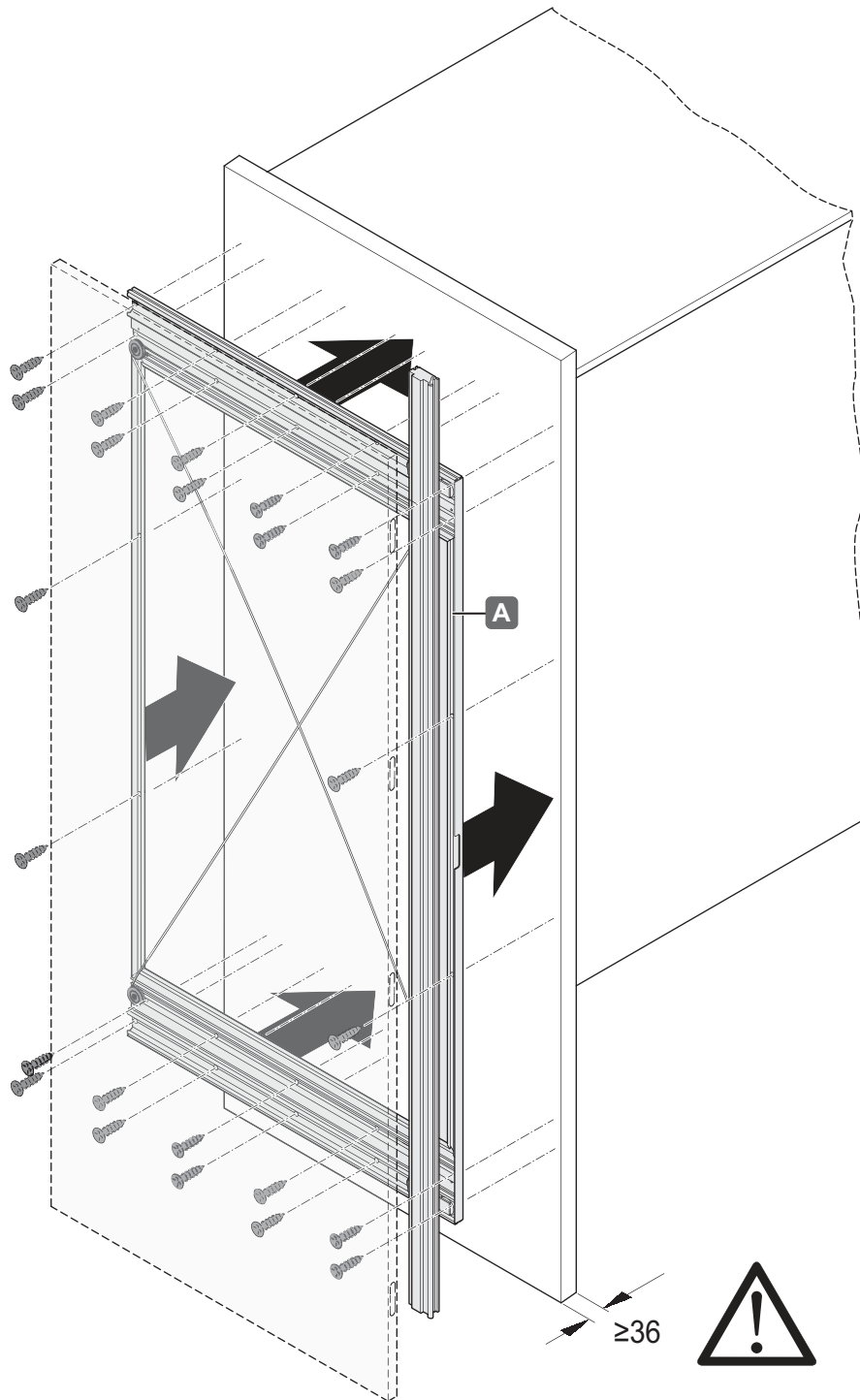
732.24.441

Hp: 2200 - 2700



HDE 10/2015

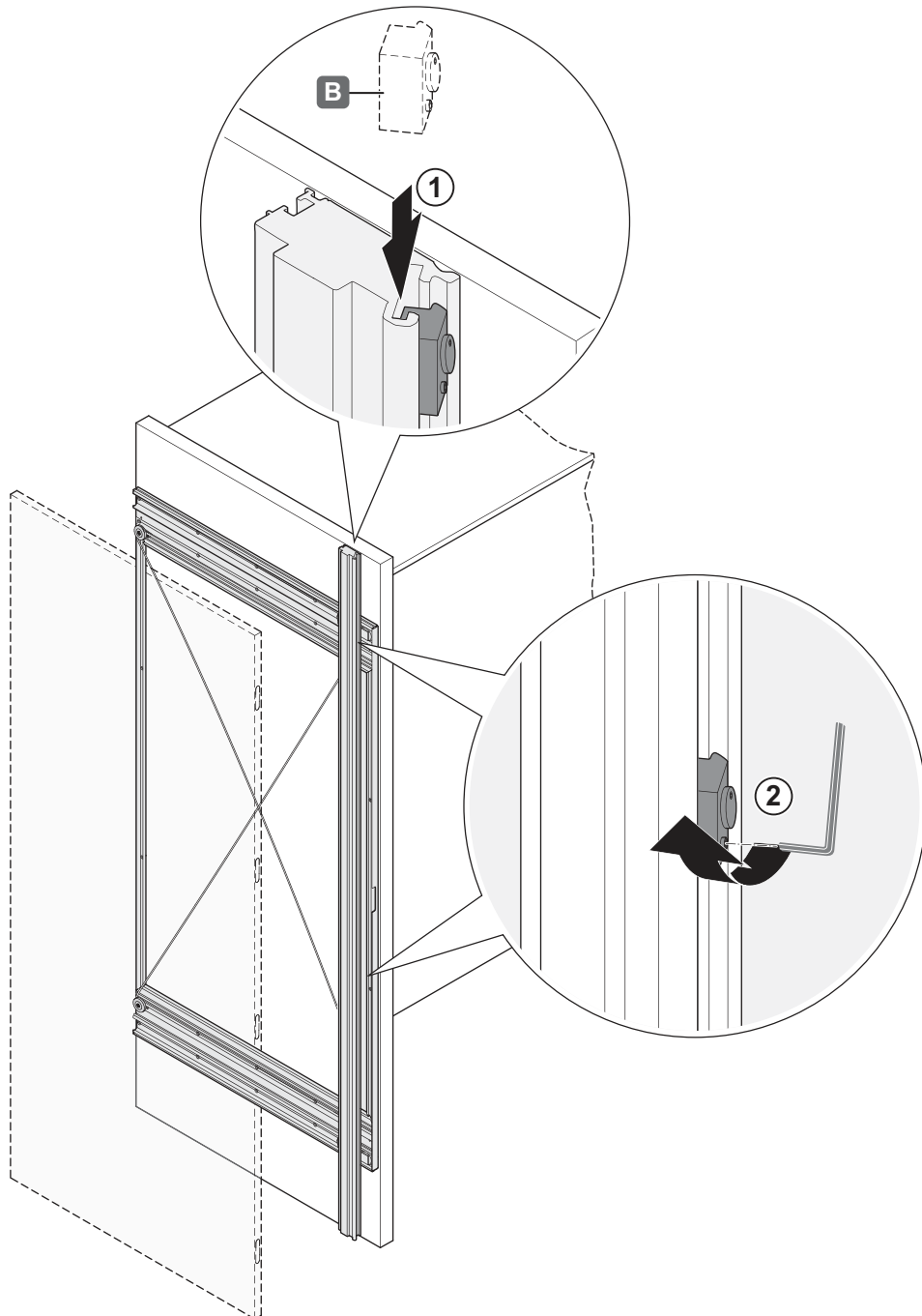
1



732.24.441

HDE 10/2015

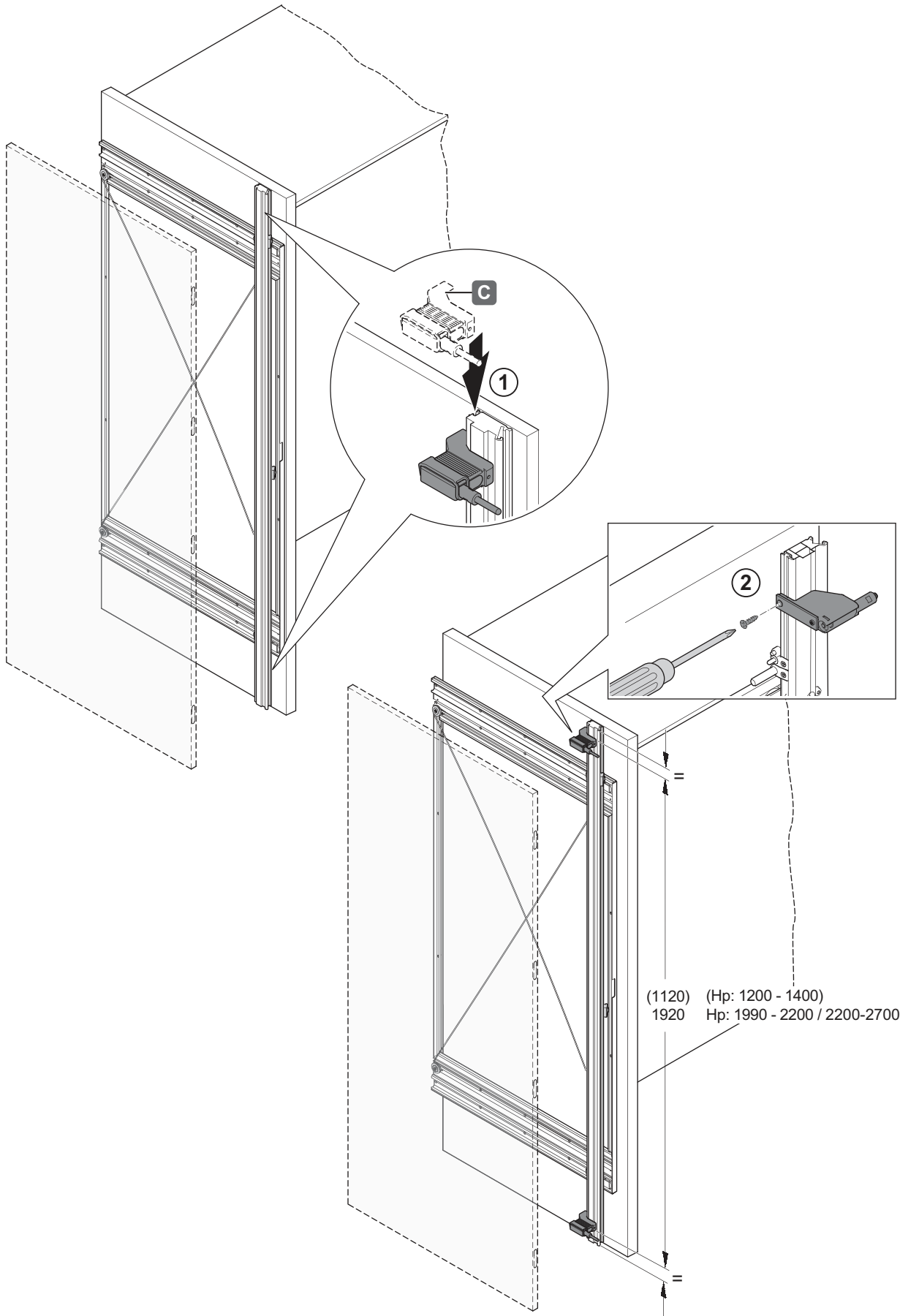
2



732.24.441

HDE 10/2015

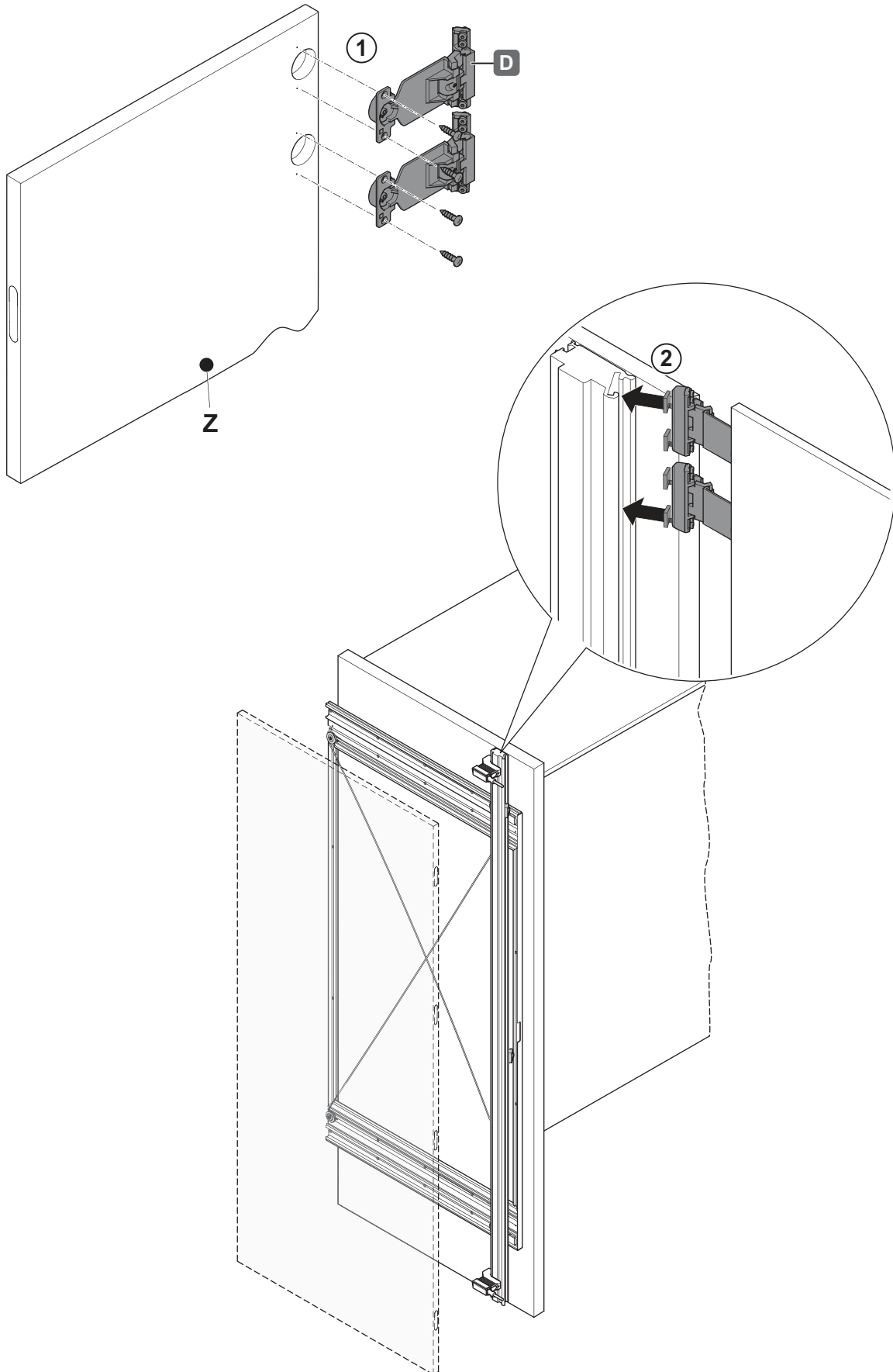
3



732.24.441

HDE 10/2015

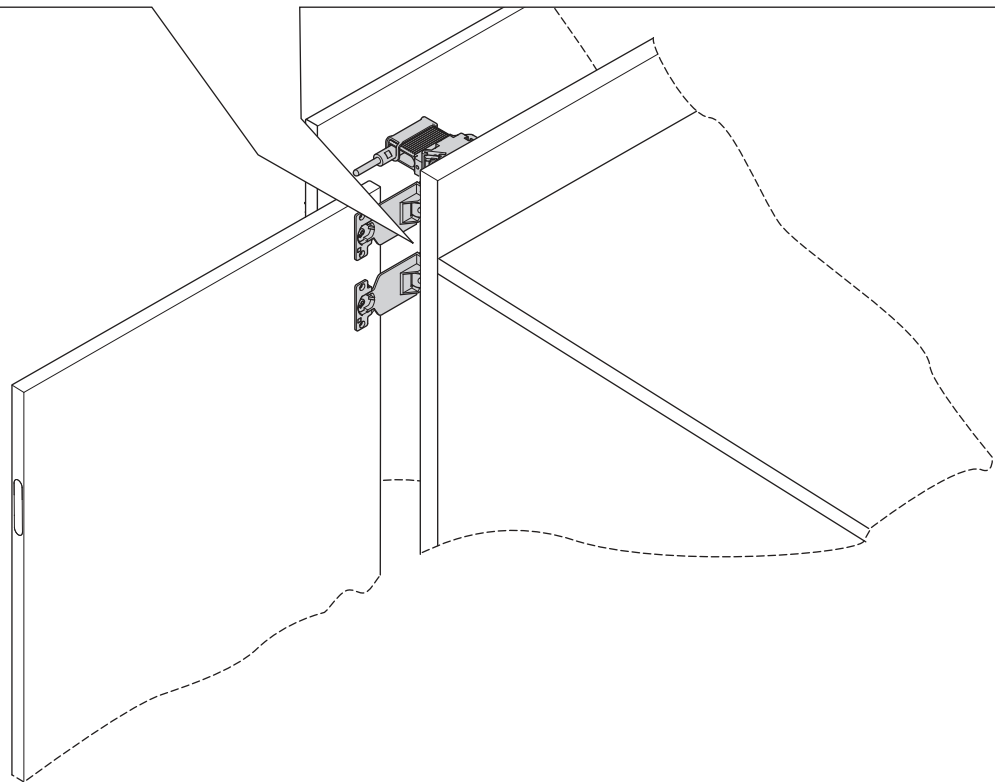
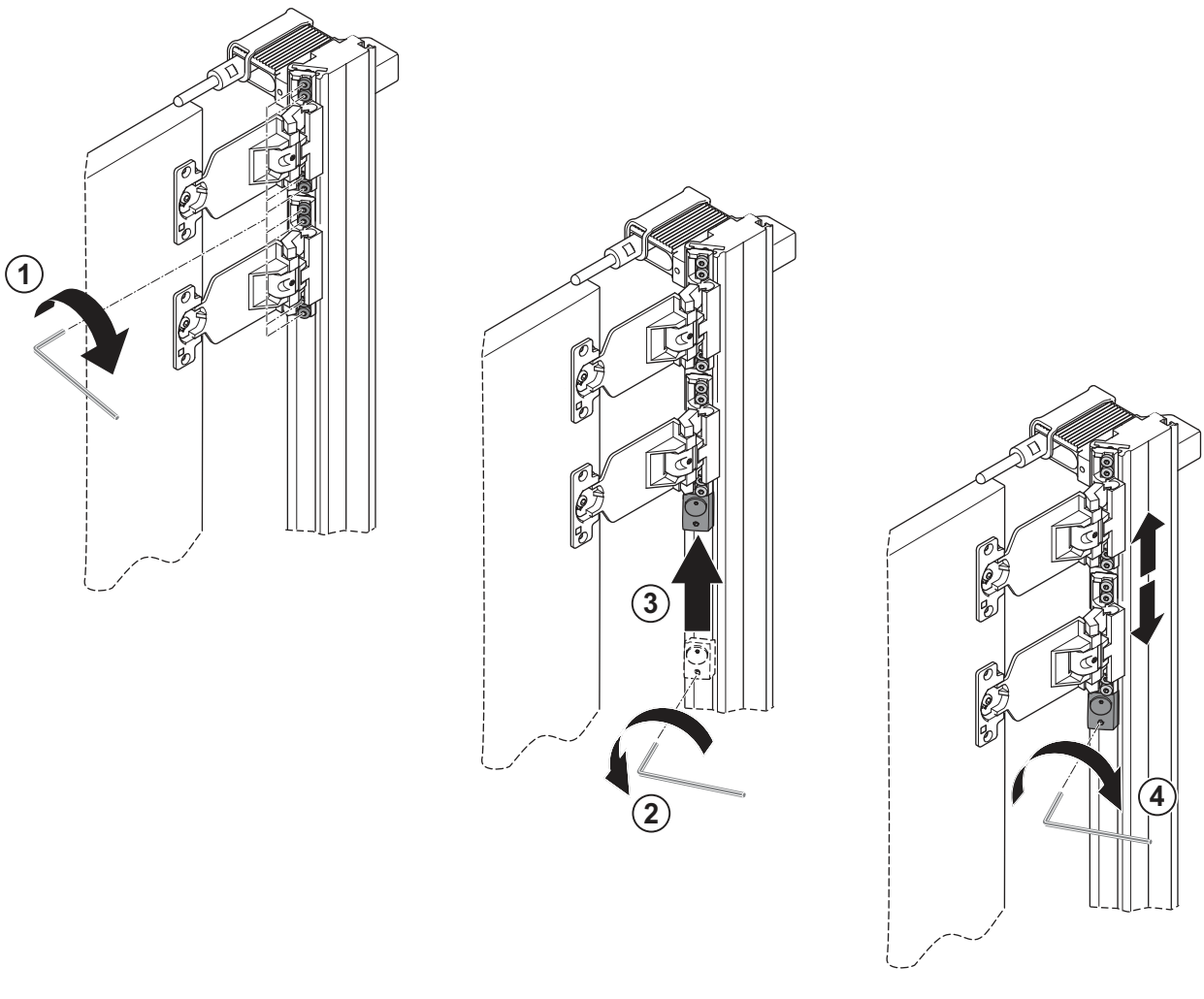
4



732.24.441

HDE 10/2015

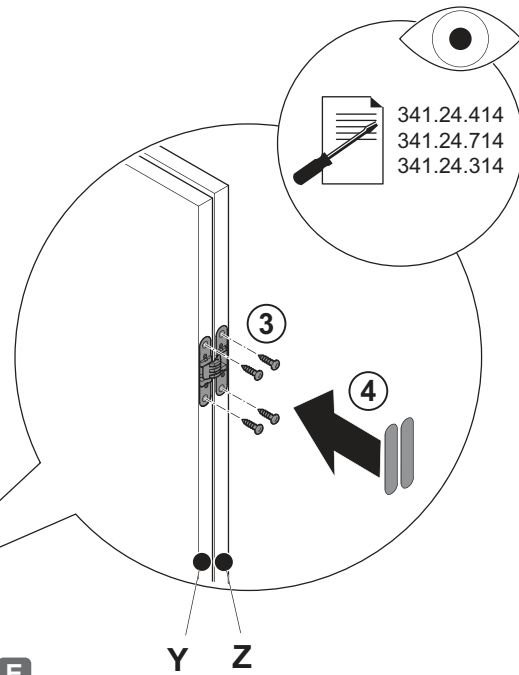
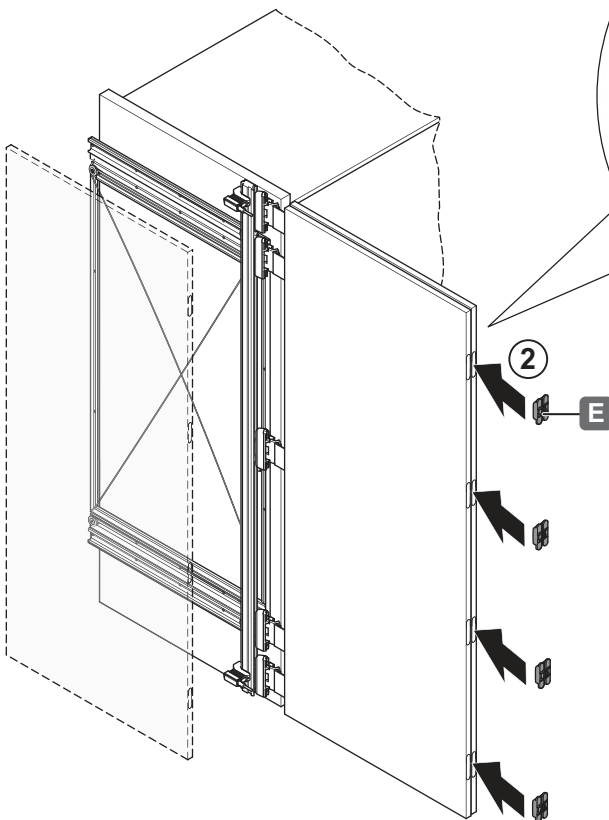
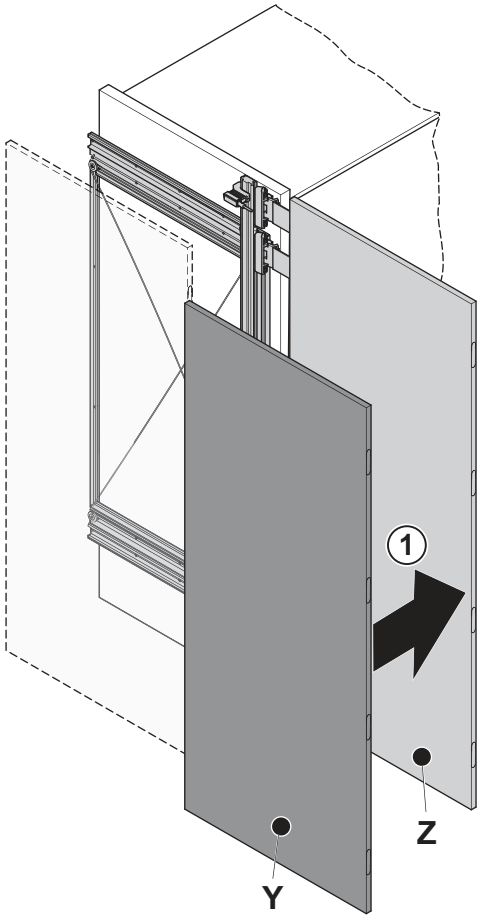
5



732.24.441

HDE 10/2015

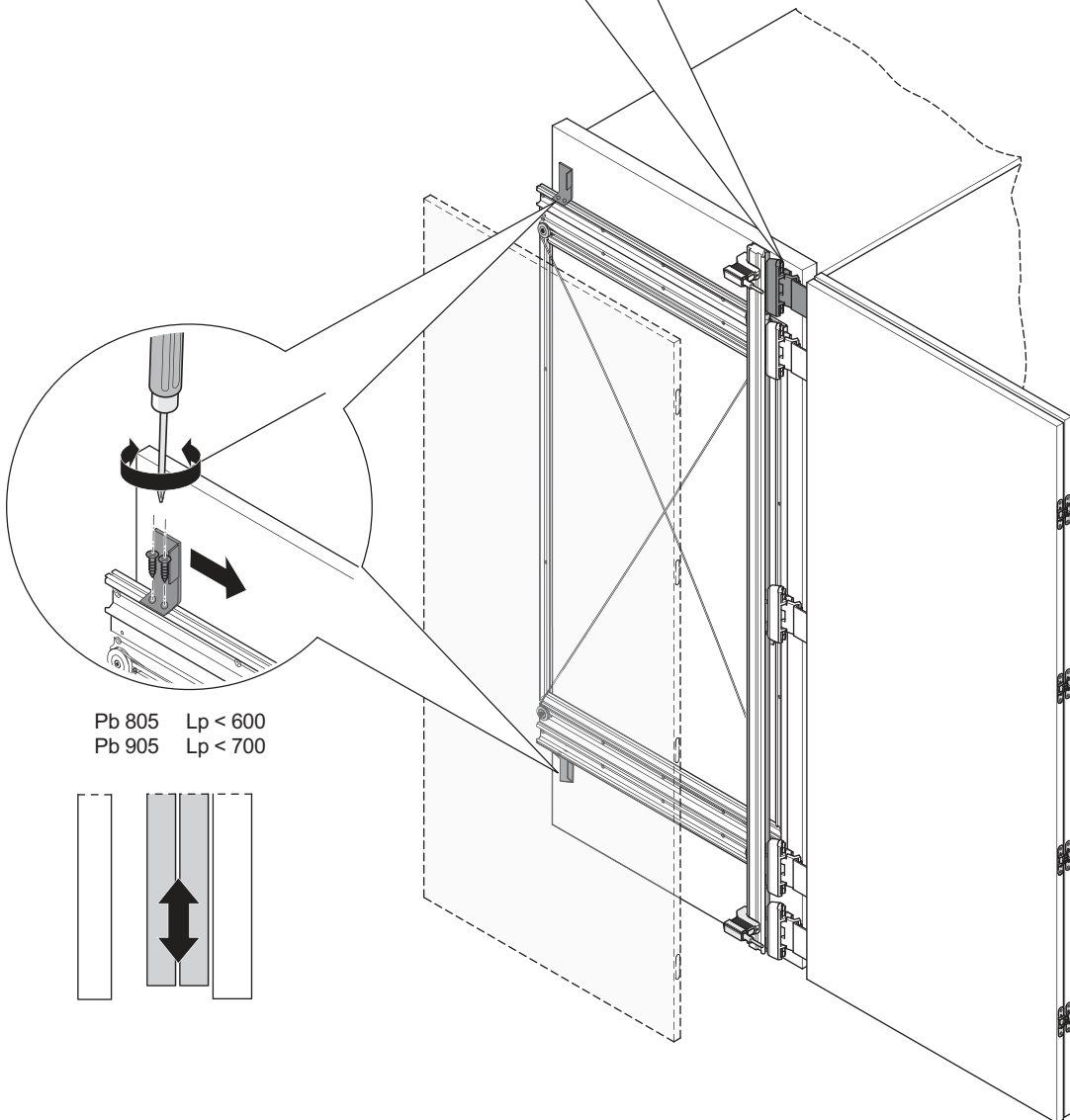
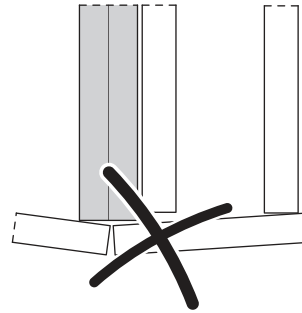
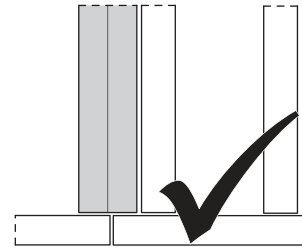
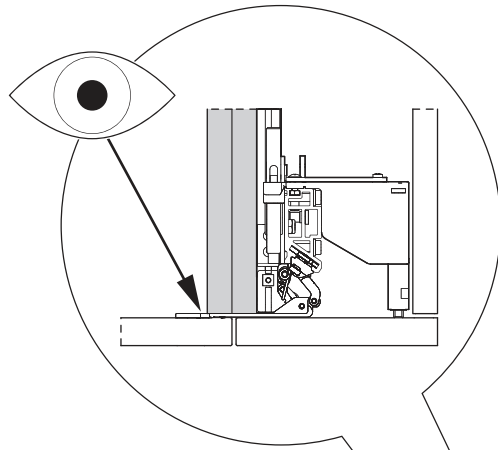
6



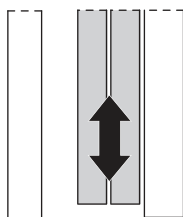
732.24.441

HDE 10/2015

7



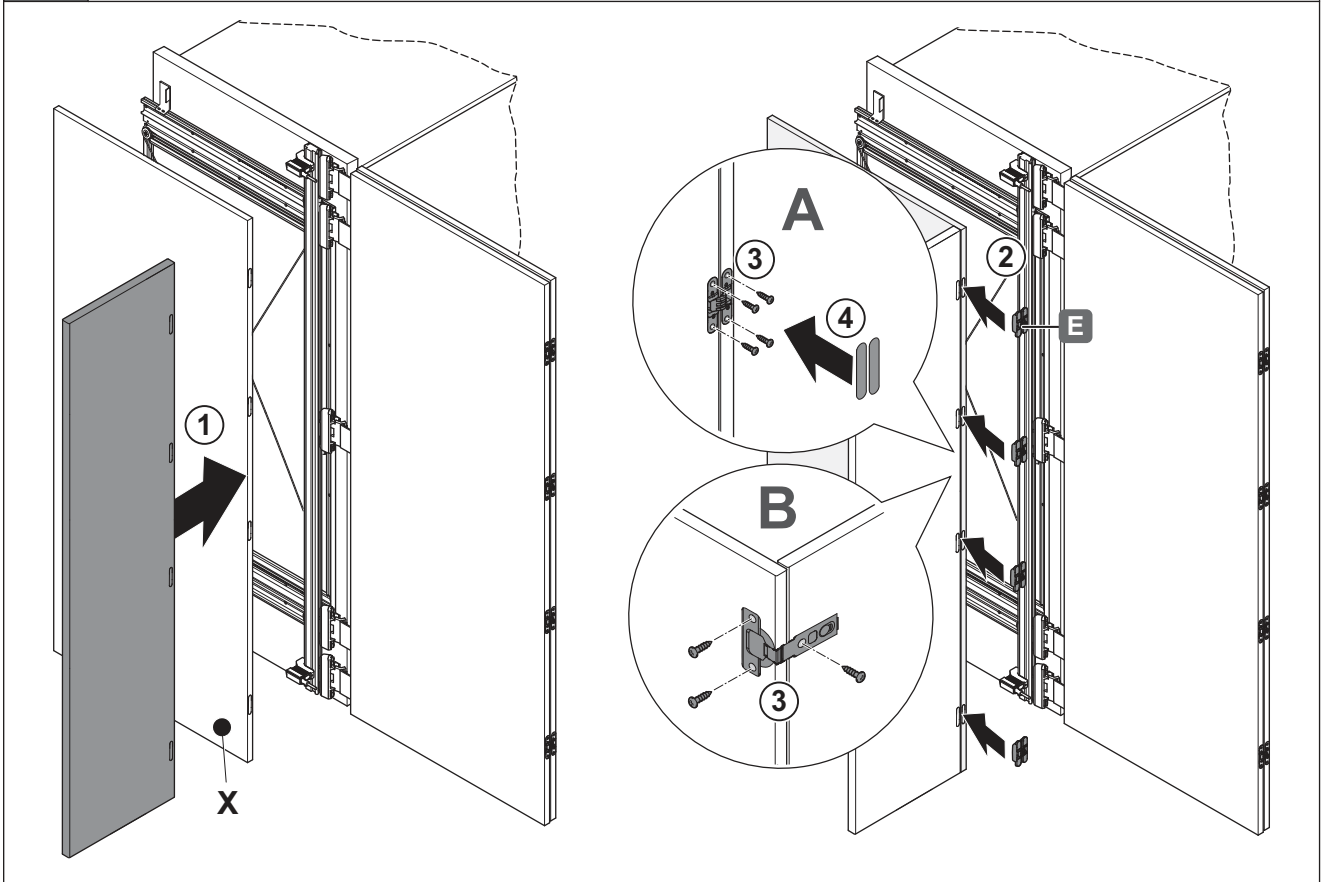
Pb 805 Lp < 600
 Pb 905 Lp < 700



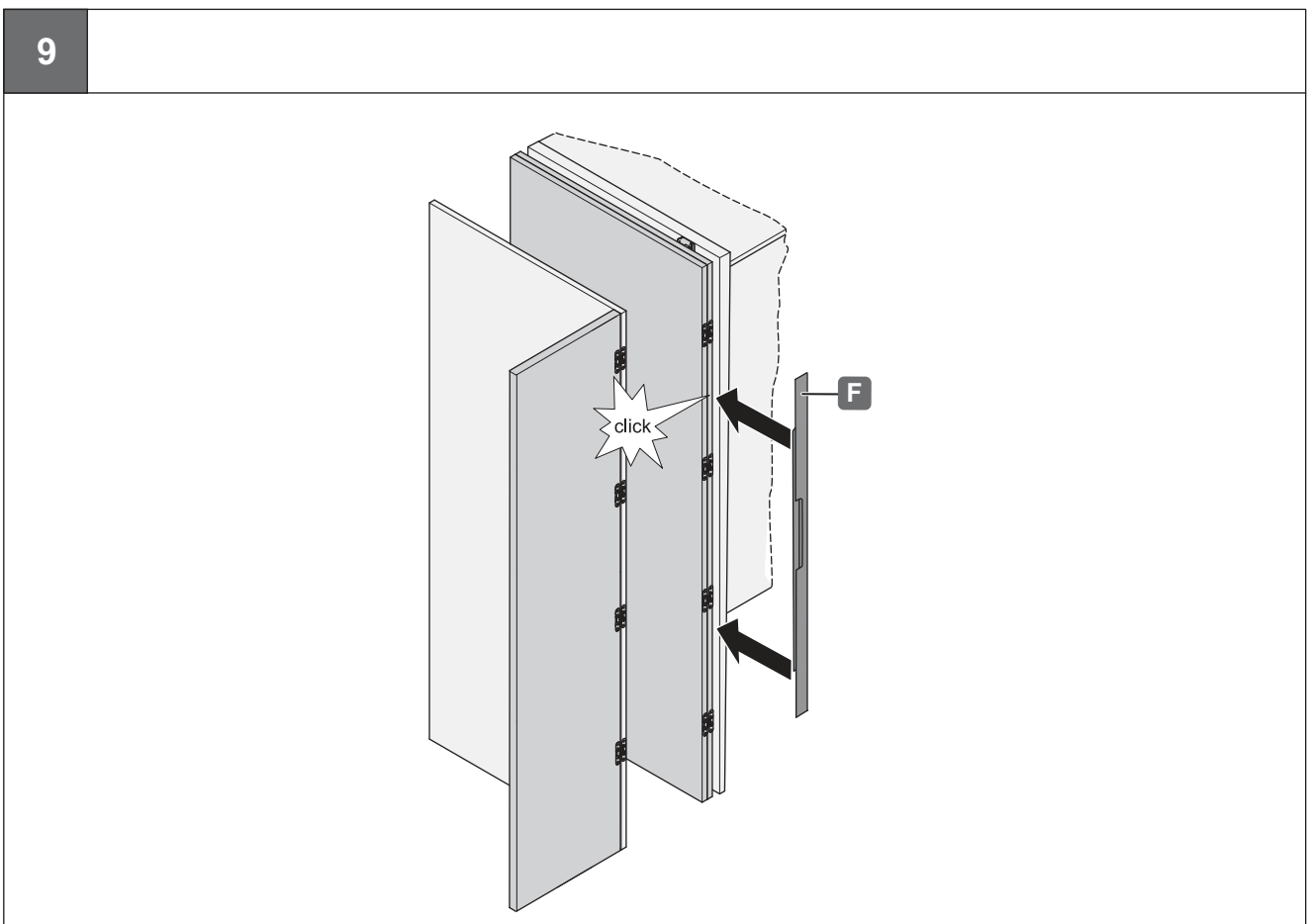
732.24.441

HDE 10/2015

8

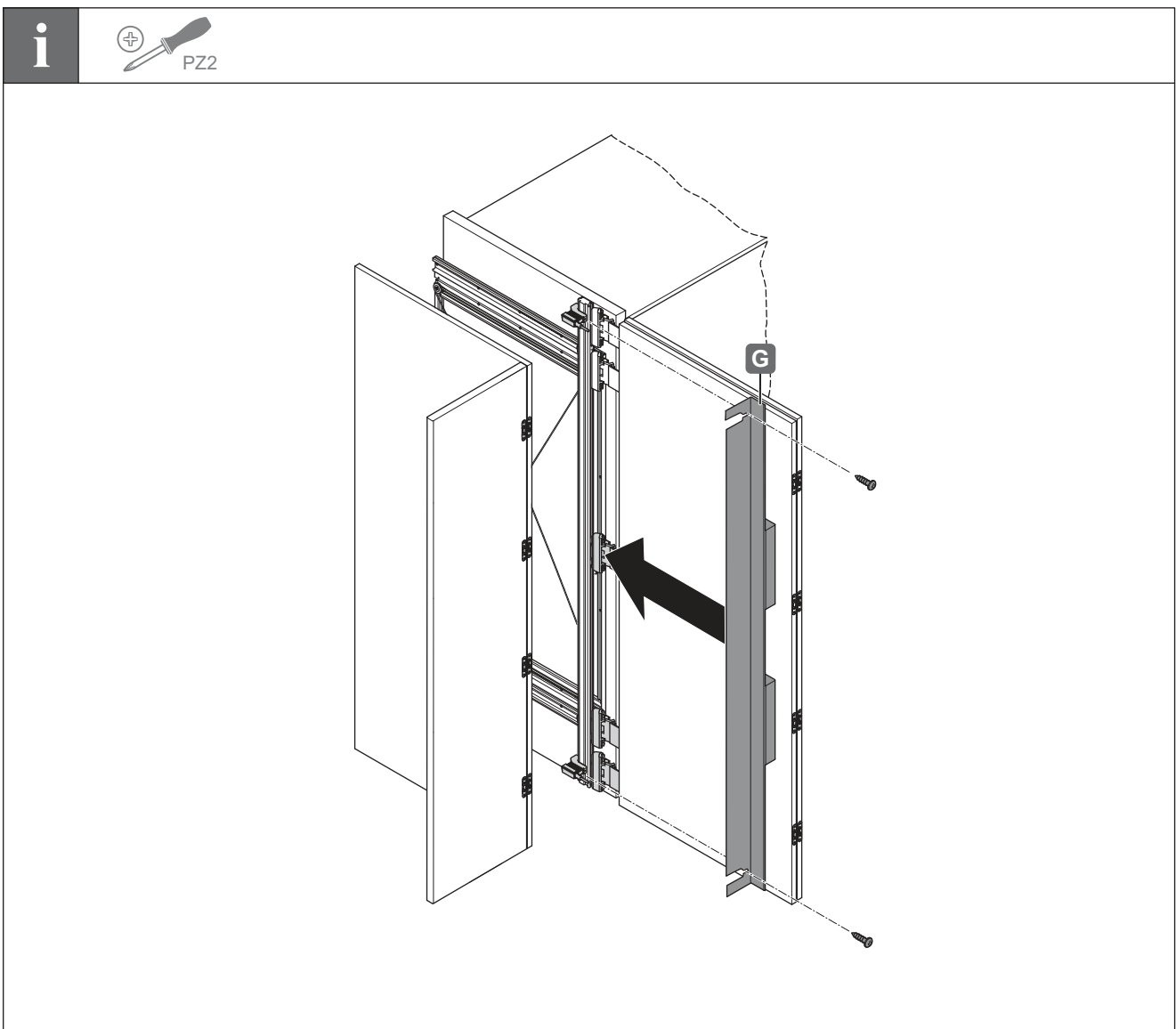
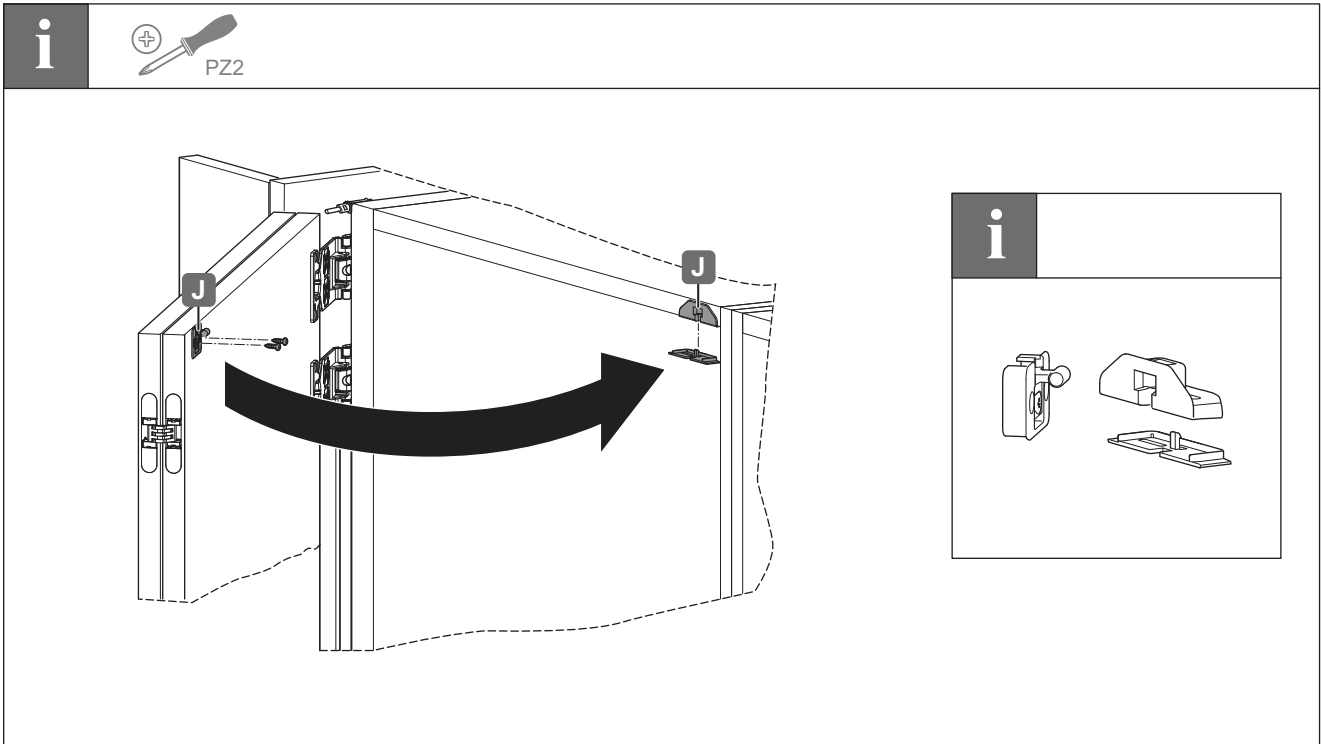


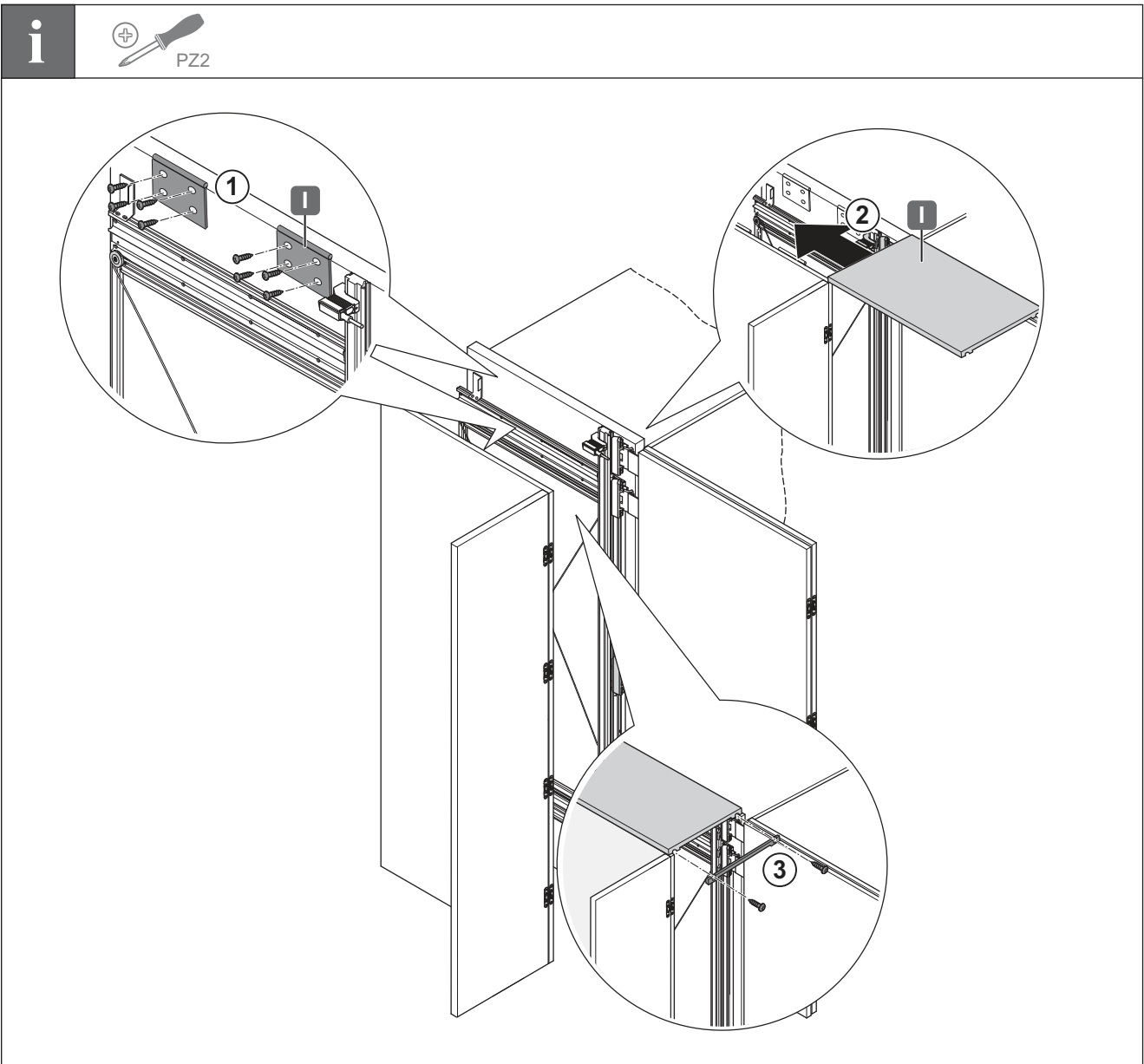
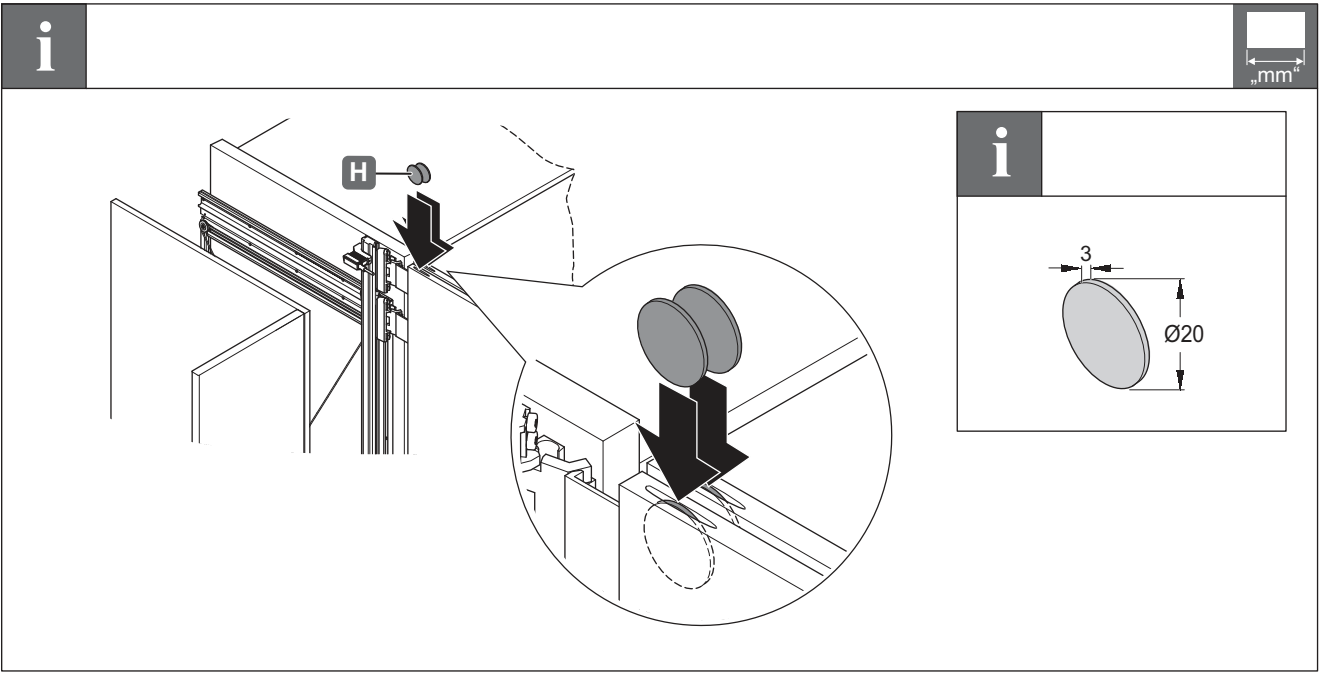
9



732.24.441

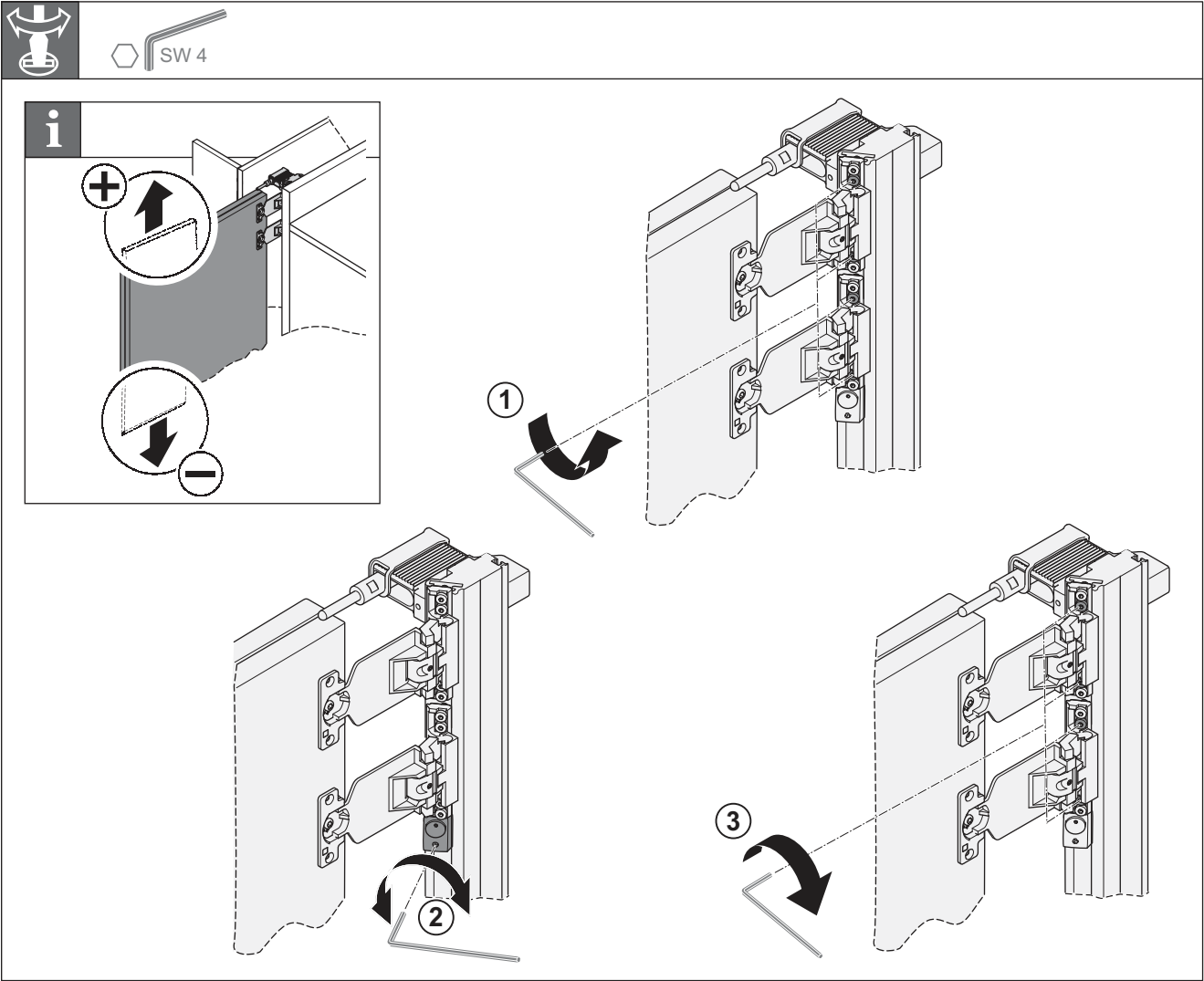
HDE 10/2015



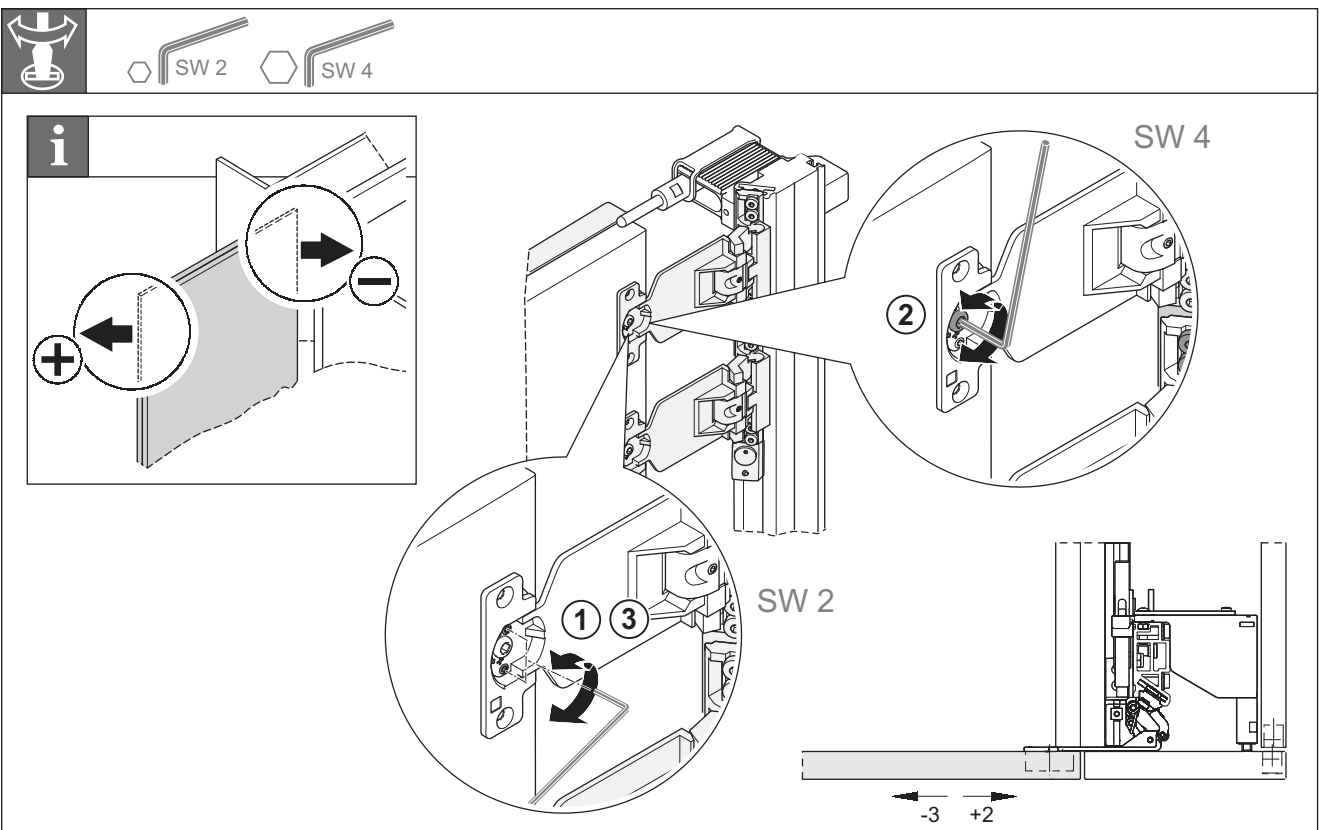


732.24.441

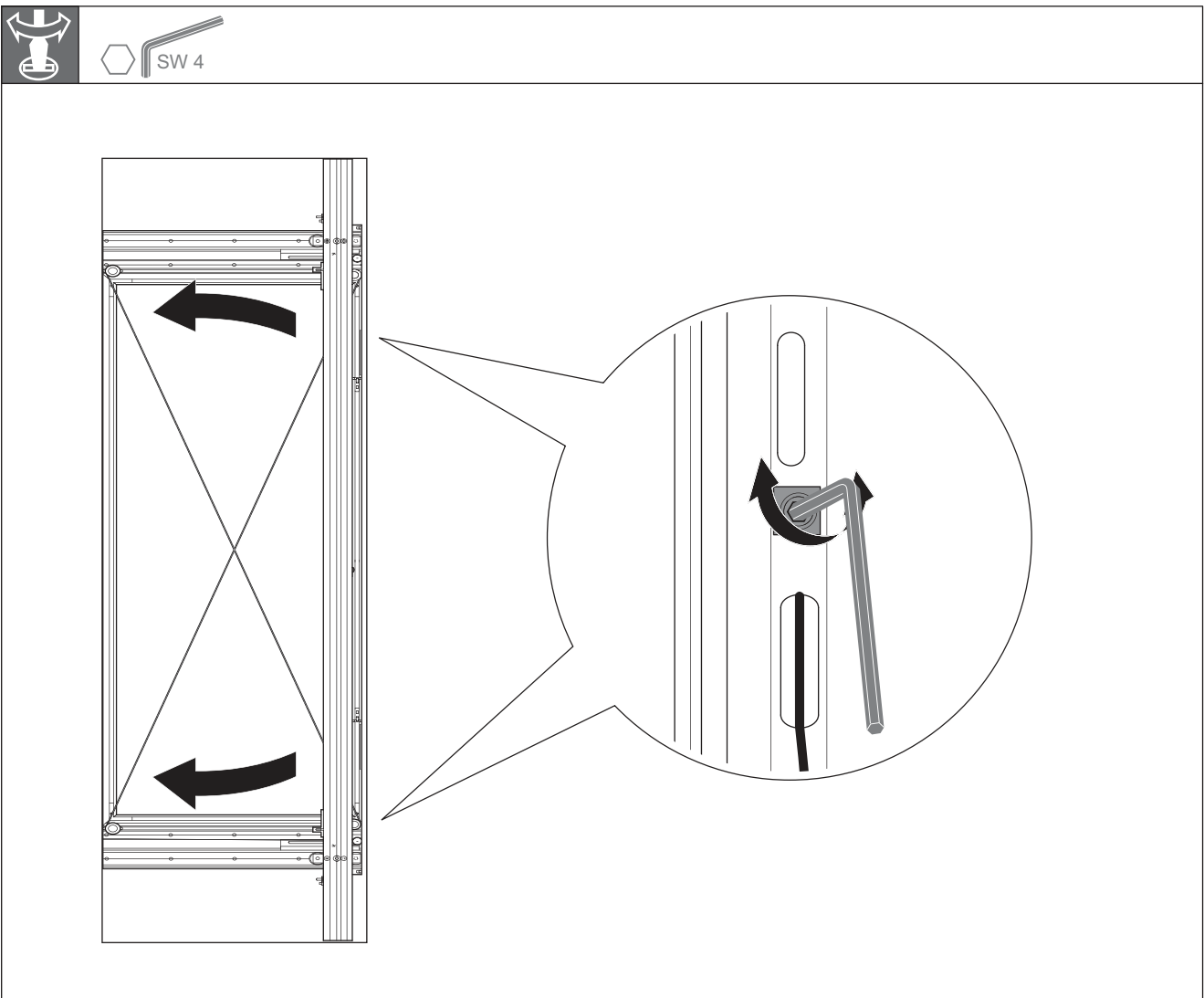
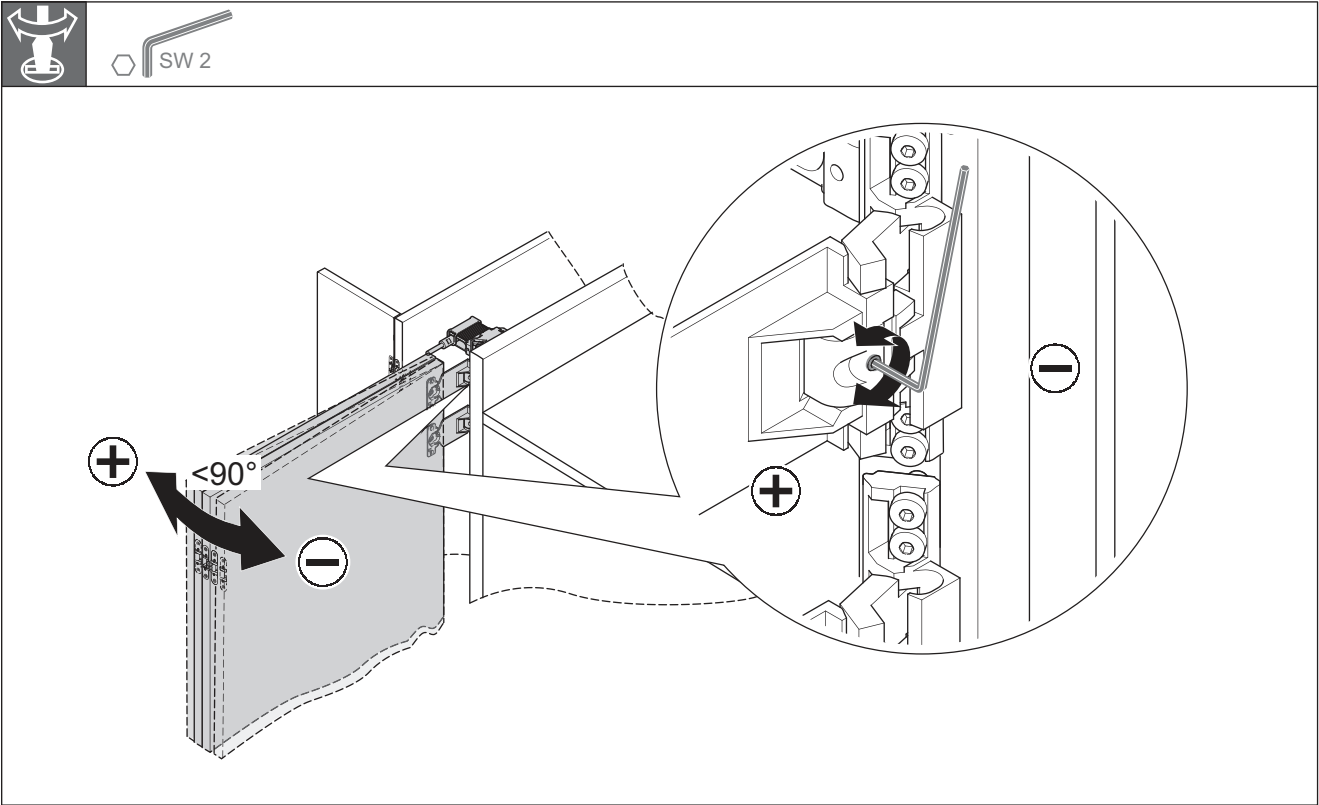
HDE 10/2015



732.24.441

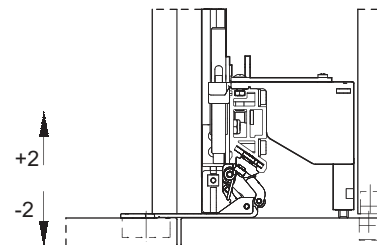
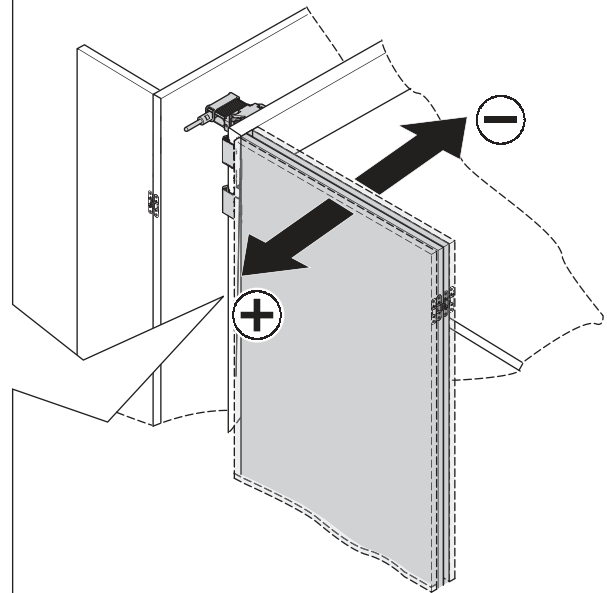
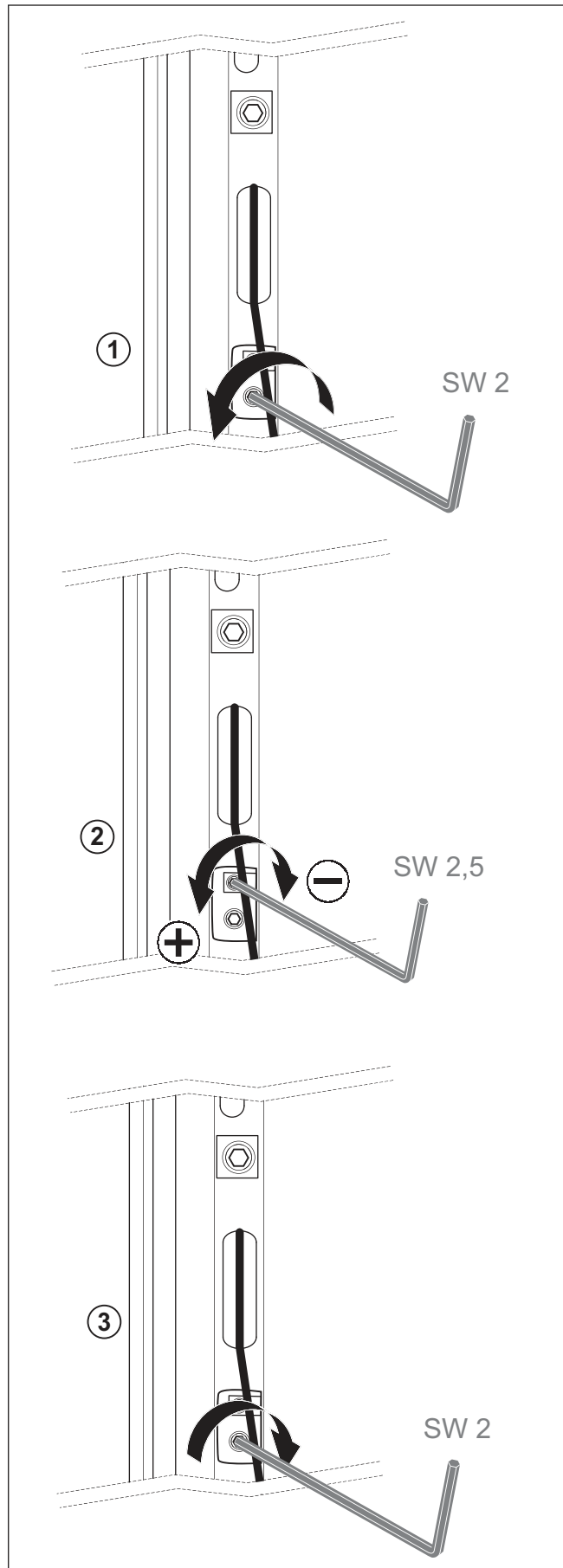


HDE 10/2015



732.24.441

HDE 10/2015

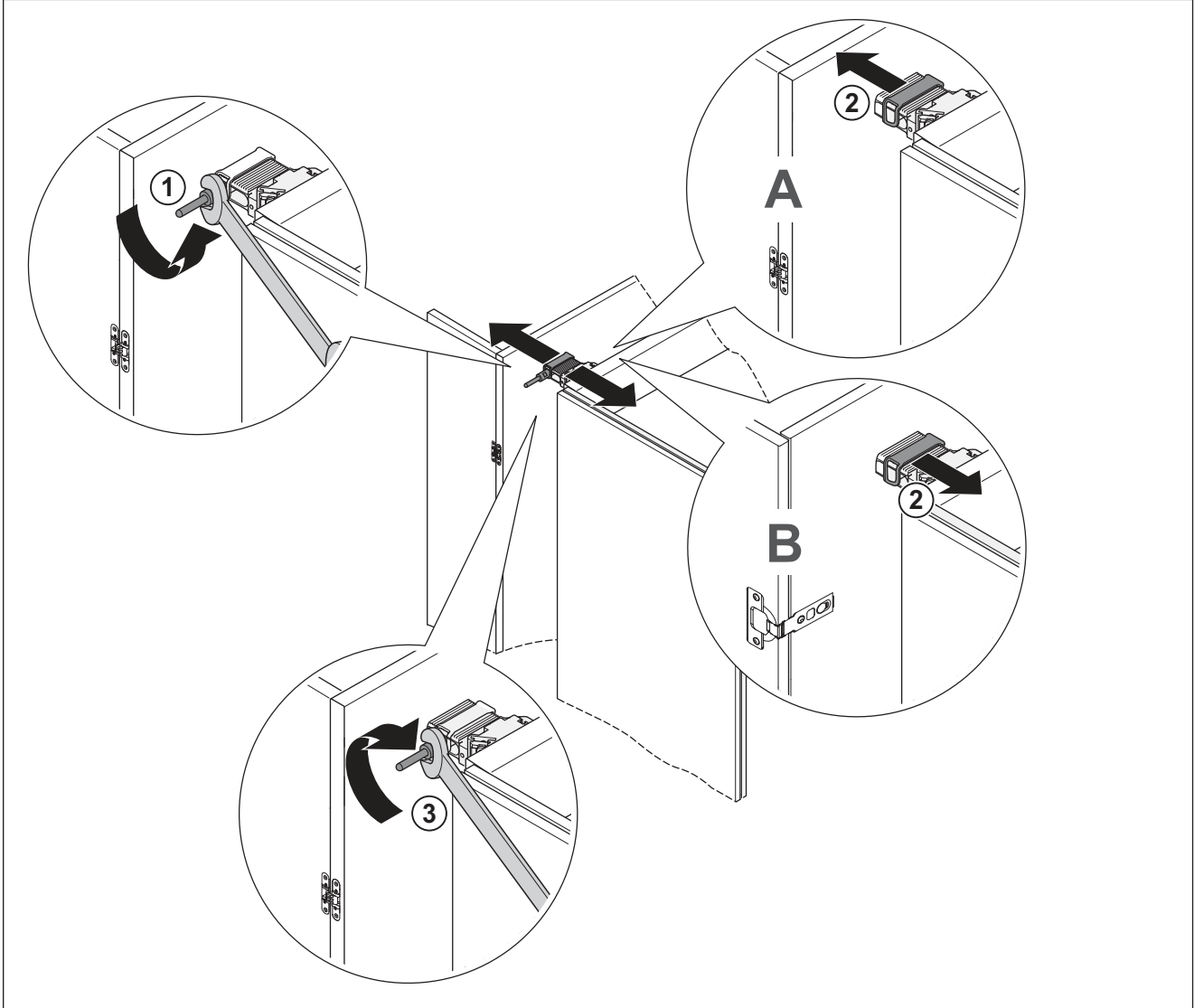


732.24.441

HDE 10/2015



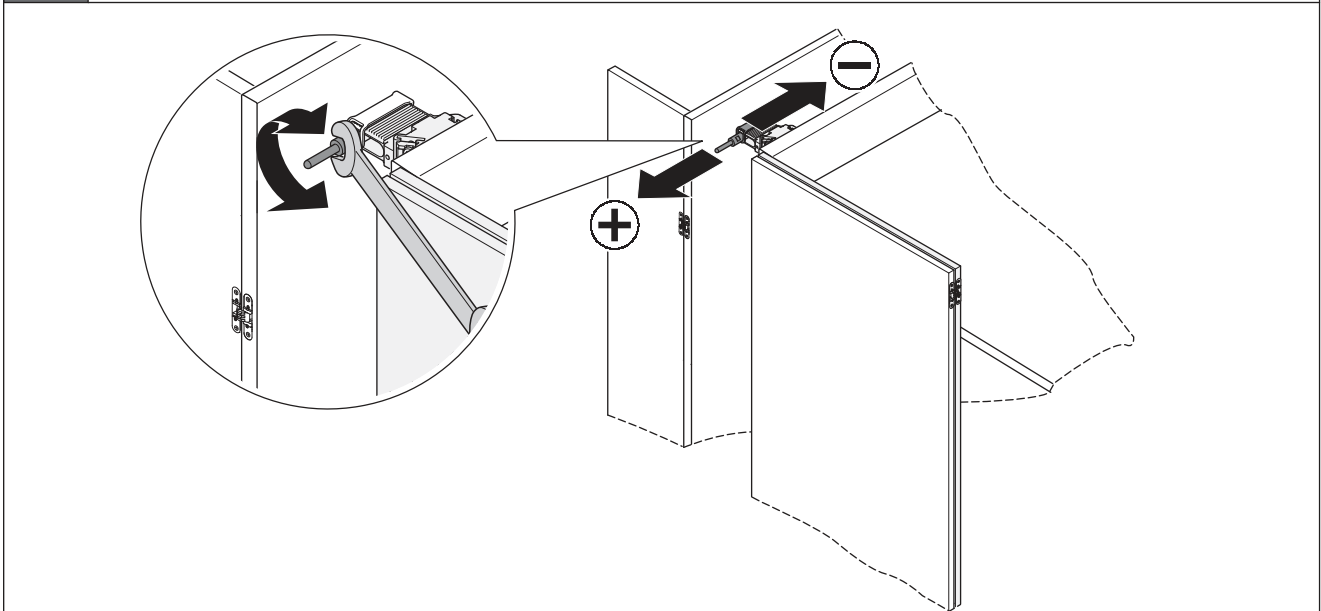
13



732.24.441



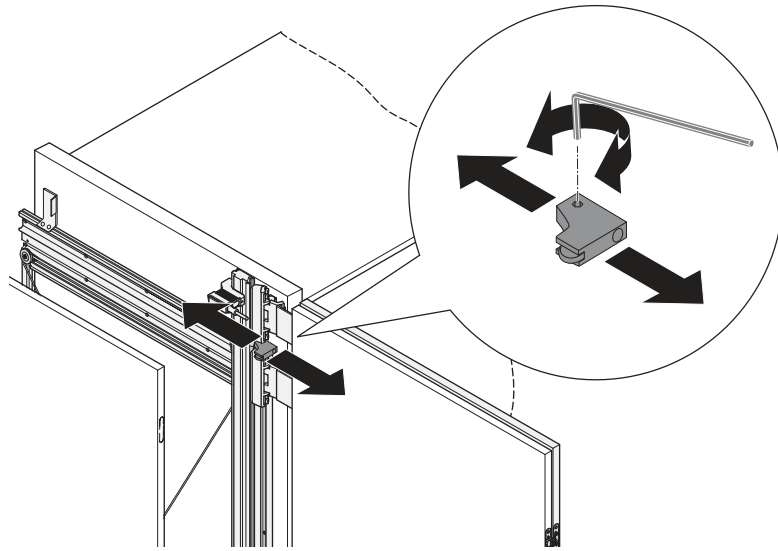
13



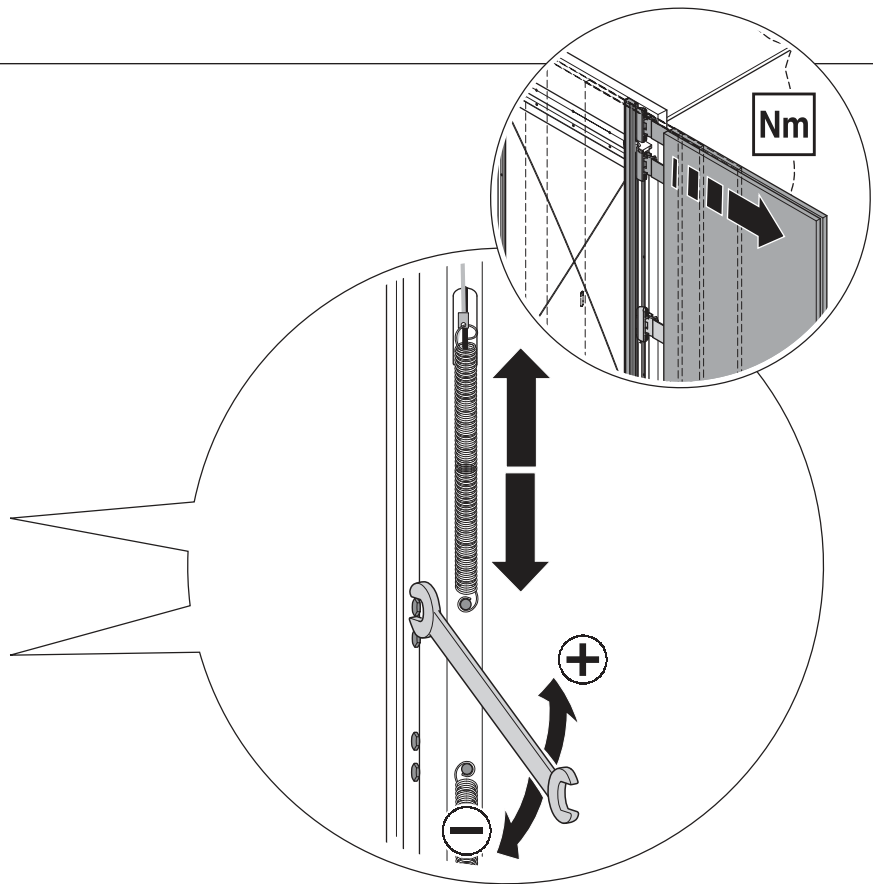
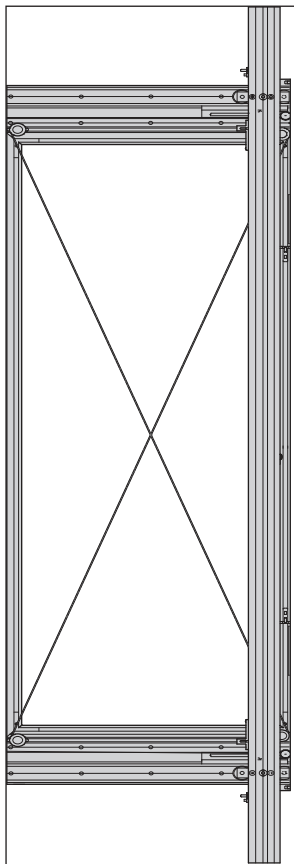
HDE 10/2015



SW 2,5

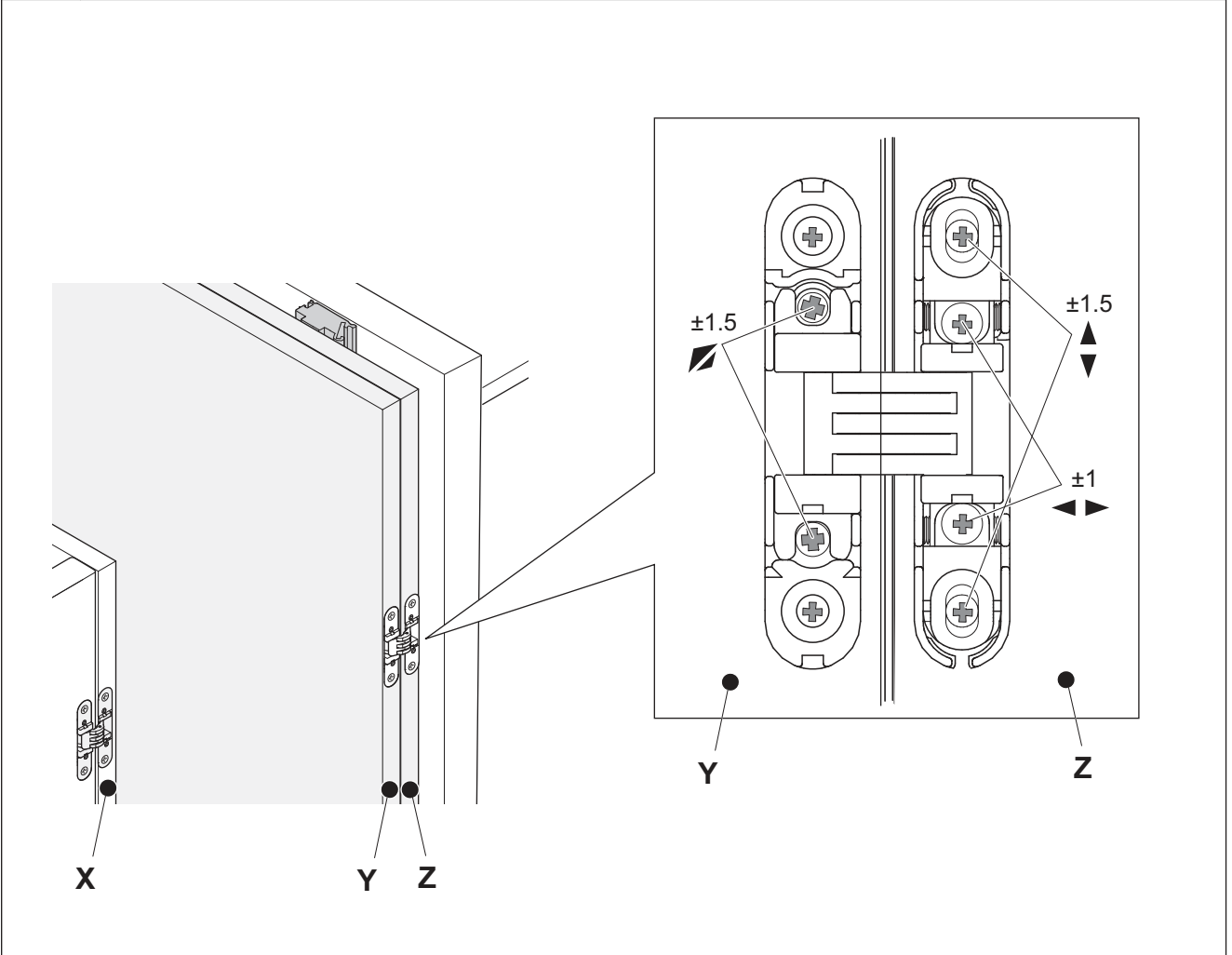


7



732.24.441

HDE 10/2015



732.24.441

HDE 10/2015

