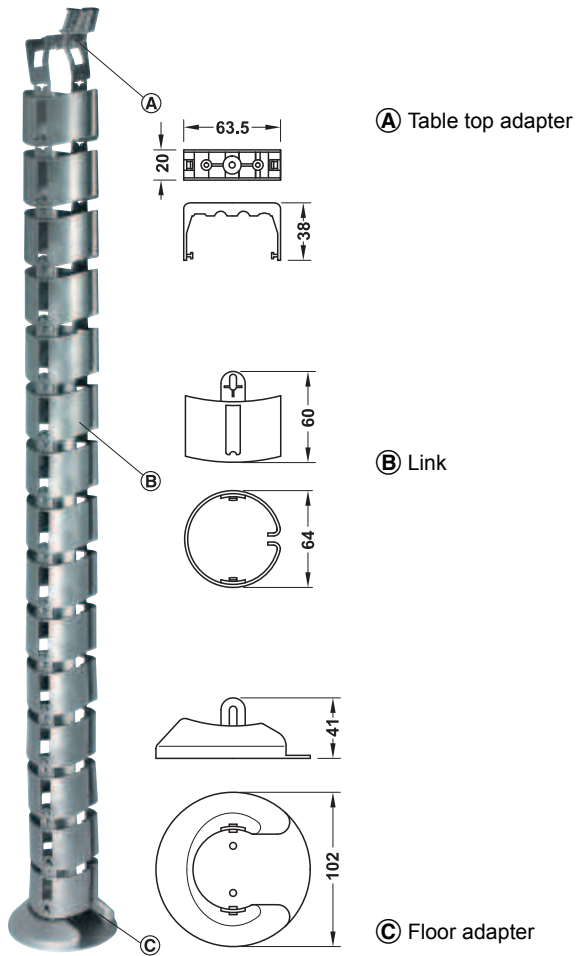


Cable guide, link design



- > Material: Plastic
- > Version: With strain relief, weighted with base
- > Installation: Table top adapter for screw fixing

Changing the cable guide length:

- > Shorten by removing individual links
- > Lengthen by combining two cable guides

Supplied with

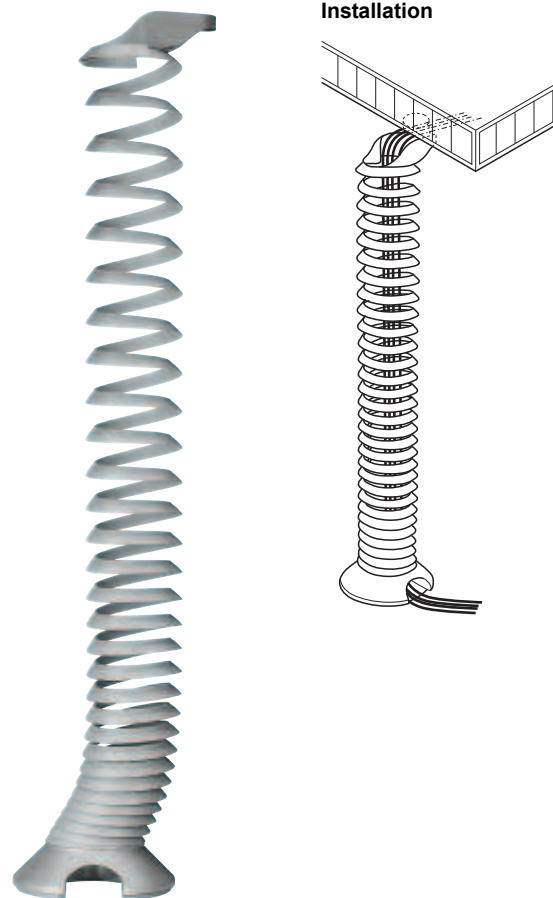
- 1 cable guide
- 1 table top adapter
- 1 floor adapter

Suitable for	Colour	Cat. No.
Max. table height 815 mm	Black	631.01.300
	Silver coloured	631.01.900
	White	631.01.731
Max. table height 1280 mm	Black	631.01.332
	Silver coloured	631.01.910
	White	631.01.732

Packing: 1 set

Cable guide, spiral design

Particularly suitable for height adjustable tables



- > Area of application: Flexible, for use with different table heights
- > Material: Plastic
- > Version: Weighted with base
- > Installation: For screw fixing beneath table top

Colour	Cat. No.
Black	631.20.310
Silver coloured	631.20.910
White	631.20.710

Packing: 1 piece

DGH-M-INT 2020, HDE-en, 05/19; Dimensional data not binding. We reserve the right to alter specifications without notice.

