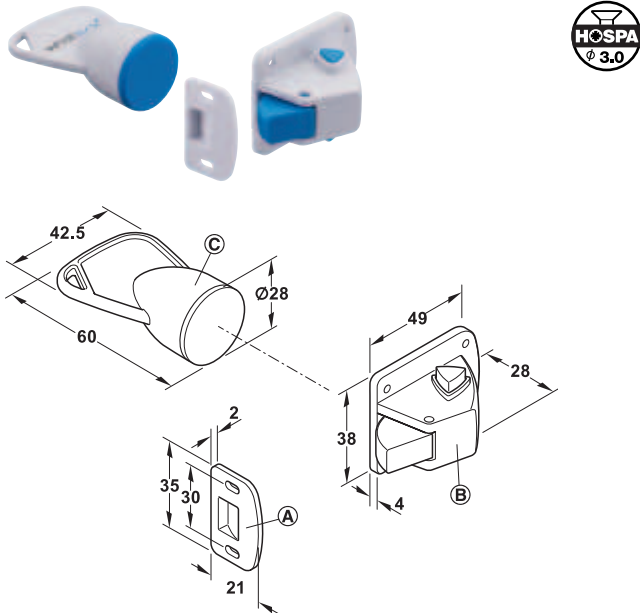


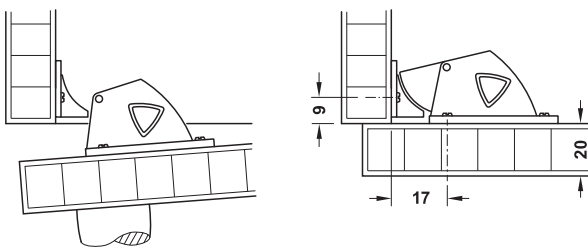
whatlock® Magnetic lock system for doors



- (A) Counterpiece
- (B) whatlock® magnetic lock system for doors
- (C) whatlock® magnet opener

- > Area of application: For doors made from wood, glass, ceramic tiles, laminates and non-ferrous materials with door thickness of ≤25 mm the whatlock® magnetic key unlocks the latchbolt so that the door can be opened, particularly suitable as child protection
- > Material: Plastic
- > Finish/colour: White/blue
- > Version: With adhesive strips
- > Installation: For screw fixing or glue fixing

Functionality



The latchbolt is retracted and the door can be opened when presenting the whatlock® magnetic key (not supplied). The latchbolt engages automatically when the door is being closed. The door is secured.

Supplied with

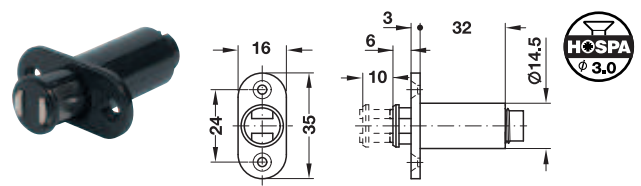
- For magnetic lock system for doors
- 1 latchbolt lock
- 1 counterpiece
- 6 chipboard screws Ø 3 mm

	Cat. No.
whatlock® magnetic lock system for doors	245.41.792
whatlock® magnetic key	245.41.798

Packing: 1 or 100 pieces

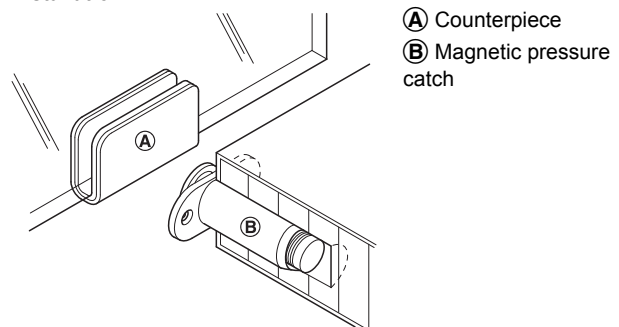
Magnetic pressure catch

→ For glass doors, pull 1.4 kg



- > Material: Plastic
- > Colour: Black
- > Installation: For mounting in drilled hole and for screw fixing

Installation



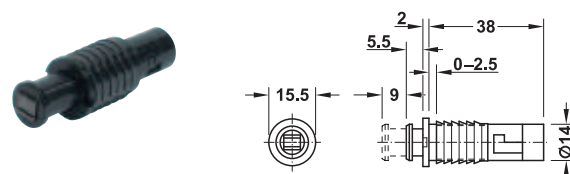
Pull kg	Cat. No.
1.4	245.62.311

Packing: 1 or 100 pieces

Order reference

Please order counterpieces separately.

→ For press fitting, pull 1.2 kg



- > Material: Plastic
- > Colour: Black
- > Adjustment facility: 2.5 mm
- > Installation: For press fitting

Pull kg	Cat. No.
1.2	245.62.338

Packing: 1 or 100 pieces

Order reference

Please order counterpieces separately.

Counterpiece ► MB 6.210

DGH-M 2021, HDE-en, 1/120; Dimensional data not binding. We reserve the right to alter specifications without notice.