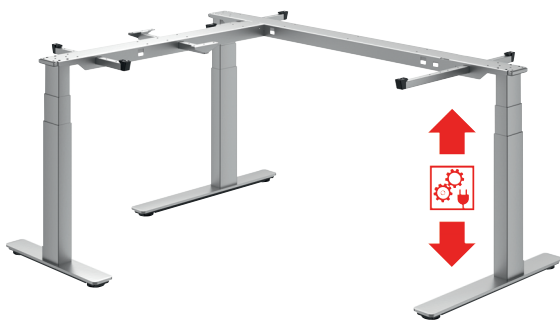


→ Officys TE651 Pro Complete set for corner solution 90°

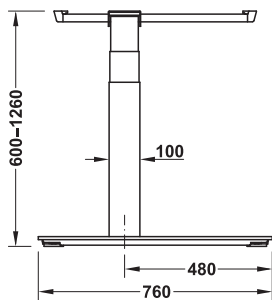
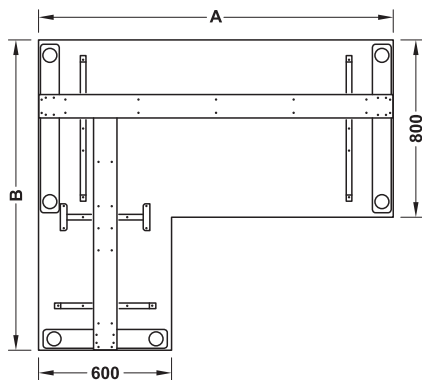
Vitaflex



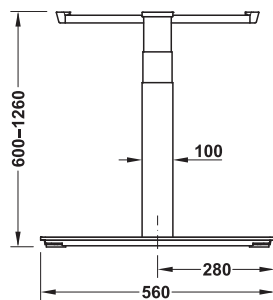
- > Material: Steel
- > Finish: Powder coated
- > Height adjustment: Motorised, continuous, base height 600–1,260 mm
- > Load bearing capacity: 180 kg with even load distribution
- > Version: End frames rectangular, 100 x 60 mm, symmetrical components for left or right hand use

Supplied with

- 2 end frames C
- 1 end frame T
- 1 straight frame
- 1 frame 90°
- 3 support arms
- 1 desktop connector
- 1 control unit
- 1 mains lead
- 3 motor cables
- 1 operating unit for recess mounting, graphite black, RAL 9011
- 1 set of fixing material



End frame C



End frame T

Dim. A mm	Dim. B mm	Colour	Cat. No.
1600	1400	White aluminium, RAL 9006	633.50.231
		Graphite black, RAL 9011	633.50.331
		Signal white, RAL 9003	633.50.731
1800	1400	White aluminium, RAL 9006	633.50.232
		Graphite black, RAL 9011	633.50.332
		Signal white, RAL 9003	633.50.732
	1600	White aluminium, RAL 9006	633.50.233
		Graphite black, RAL 9011	633.50.333
		Signal white, RAL 9003	633.50.733
2000	1400	White aluminium, RAL 9006	633.50.234
		Graphite black, RAL 9011	633.50.334
		Signal white, RAL 9003	633.50.734
	1600	White aluminium, RAL 9006	633.50.235
		Graphite black, RAL 9011	633.50.335
		Signal white, RAL 9003	633.50.735
1800	White aluminium, RAL 9006	633.50.236	
	Graphite black, RAL 9011	633.50.336	
	Signal white, RAL 9003	633.50.736	

Packing: 1 set

DGH-M-INT 2020, HDE-en, 05/19; Dimensional data not binding. We reserve the right to alter specifications without notice.

Table Bases

10



Individual components	► FF 10.116
Control and operating unit	► FF 10.118
Desk Control™	► FF 10.120
Accessories	► FF 10.125