

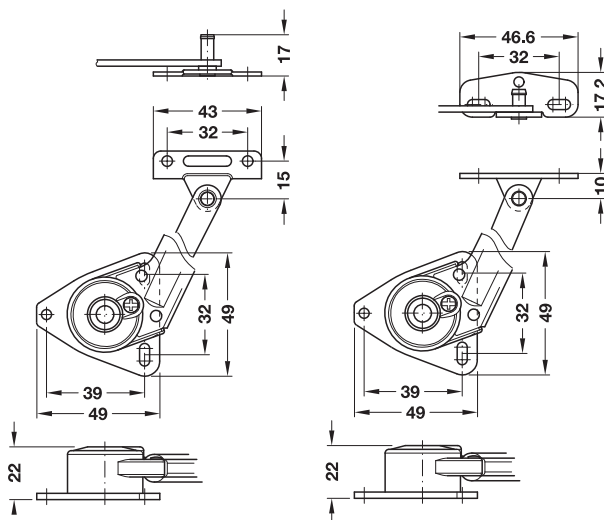
Lid stay with joint

For wooden lids or lids with aluminium frame, with adjustable braking effect



For wooden lids

For lids with aluminium frame



Lid dim. (height H x width B) mm

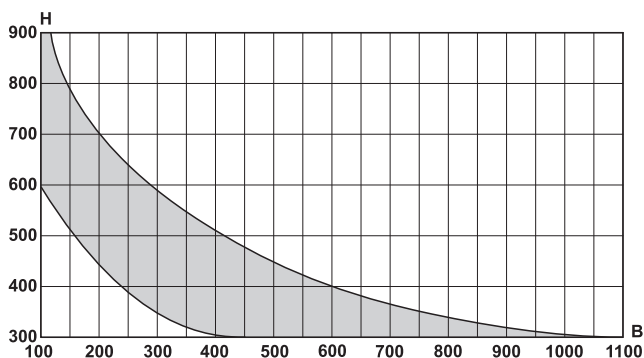
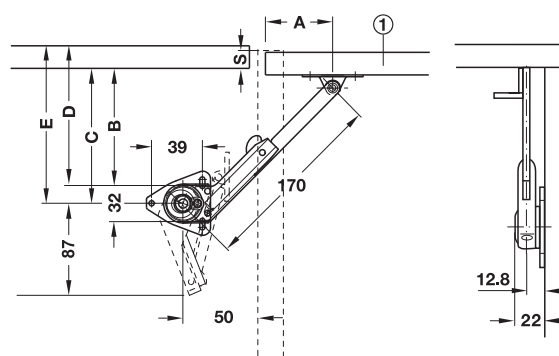


Diagram shows application area using one fitting (lid made from 20 mm thick chipboard with density 500 kg/m³). The lid may be double the width with the same height using two fittings.

Lid height mm	Load bearing capacity of lid	
	kg/piece	kg/pair
300	1.14–2.85	2.29–5.71
350	1–2.50	2–5
400	0.89–2.22	1.78–4.44
450	0.80–2	1.60–4

- > Opening angle: 80°, 90°, 100°
- > Material: Steel
- > Finish: Nickel plated
- > Version: With angular bracket, for wooden lids, with screw-on plate for lids with aluminium frame
- > Mounting: For left or right hand use
- > Installation: For screw fixing, to front fixing bracket for plug fitting (quick fixing system)

Installation



S = lid overlay dimension on cabinet

① Lid

Opening angle	Dim. A mm	Dim. B mm	Dim. C mm	Dim. D mm	Dim. E mm
---------------	-----------	-----------	-----------	-----------	-----------

Concealed hinges

80°	106	105-S	121-S	-	-
90°	98	97-S	113-S	-	-
100°	92.5	91.5-S	107.5-S	-	-

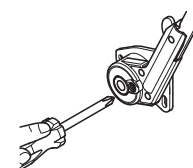
Piano hinges or hinges with exposed axle

80°	100	-	-	99	115
90°	91.5	-	-	90.5	106.5
100°	85	-	-	84	100

Braking effect

Adjusting the braking effect with the screw.

- > Unscrew to decrease braking effect
- > Tighten screw to increase braking effect



Supplied with

- 1 lid stay
- 1 front fixing bracket for wooden lids

Mounting	Cat. No.
For wooden lids	
Left	365.31.611
Right	365.31.610
For lids with aluminium frame	
Left	365.31.621
Right	365.31.620

Packing: 1 piece

Mounting bracket for wooden lids or aluminium frame ► MB 5.299

Flap stay version ► MB 5.332