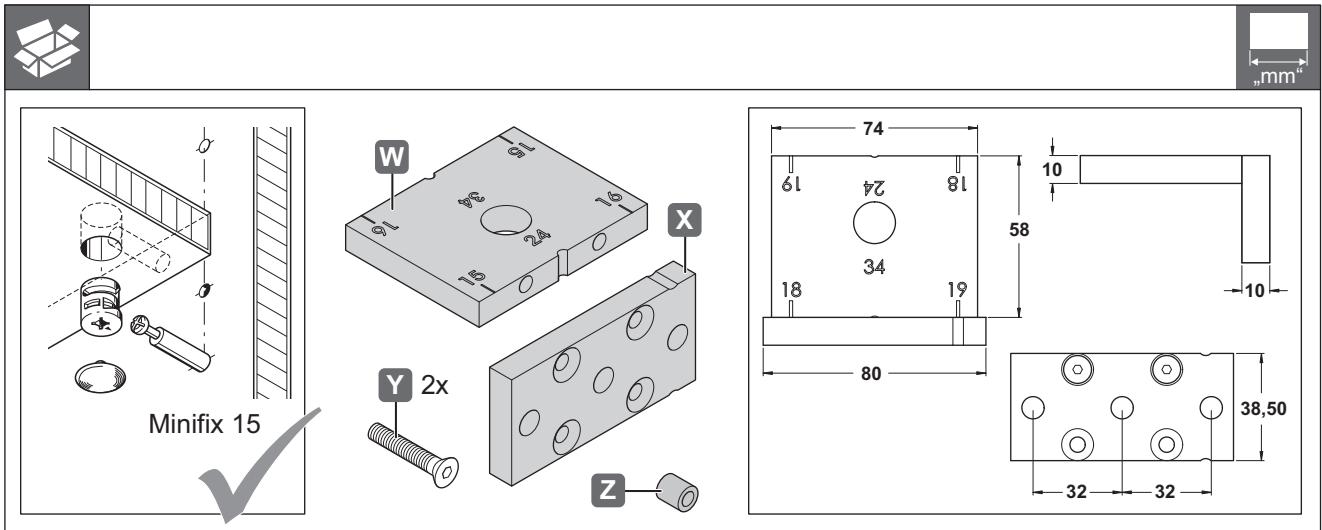




RJ easy Minifix 24/34

001.25.010



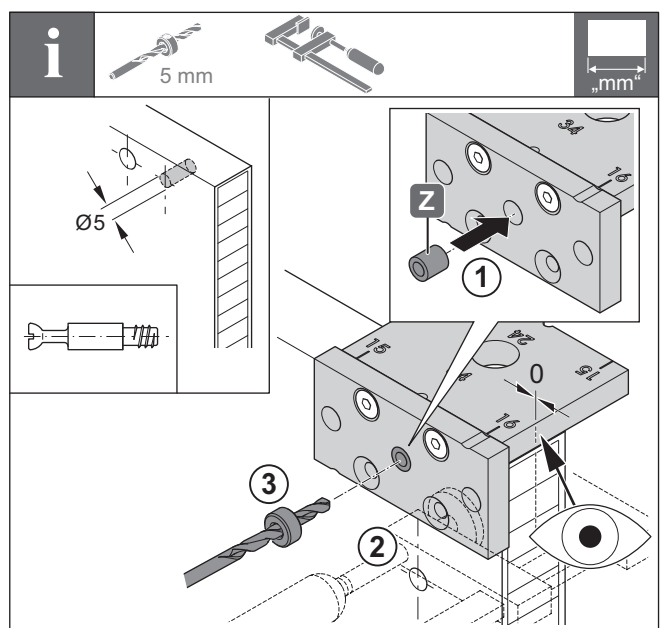
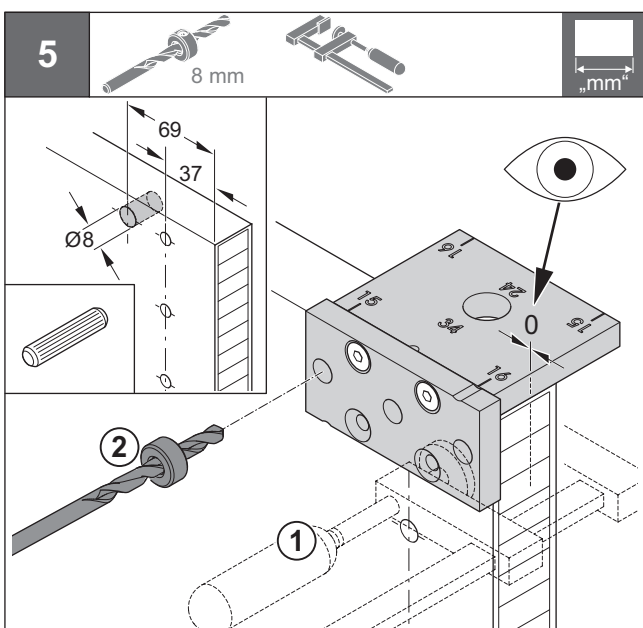
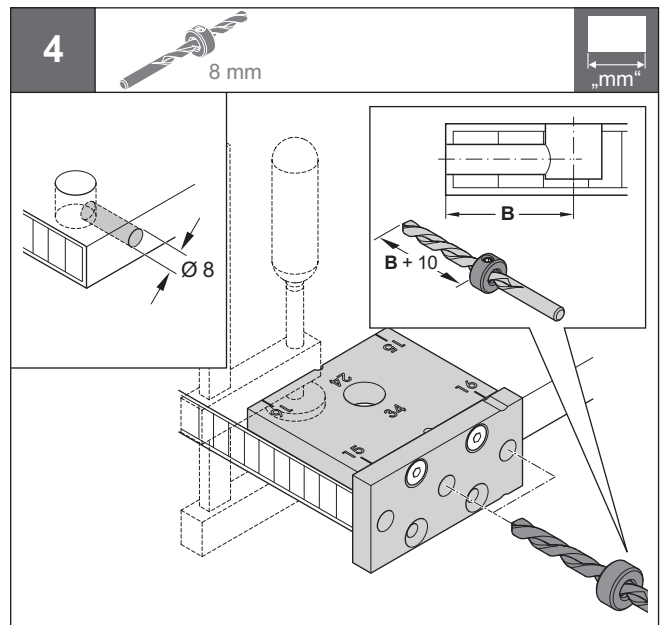
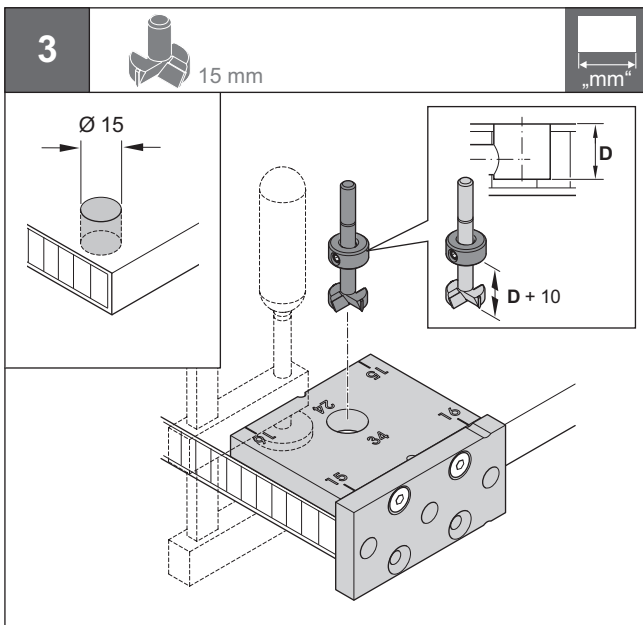
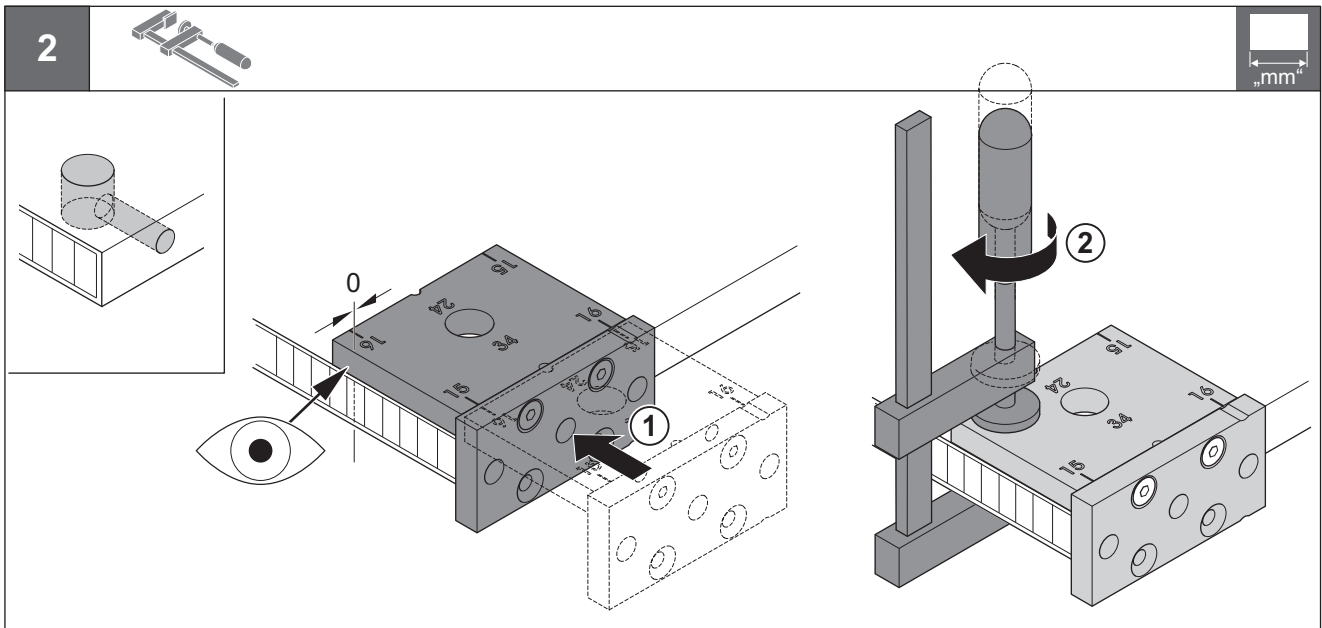
1

732.20.008

i

C	D	A
15	12,0 ^{+0,5}	7,5
16	12,5 ^{+0,5}	8,0
18	13,5 ^{+0,5}	9,0
19	14,5 ^{+0,5}	9,5

B = 24 C = 15	B = 24 C = 16	B = 24 C = 18	B = 24 C = 19
B = 34 C = 15	B = 34 C = 16	B = 34 C = 18	B = 34 C = 19



732.20.008

HDE 12.07.2013