

Accuride 2002, single extension, two-way travel

Load bearing capacity up to 35 kg

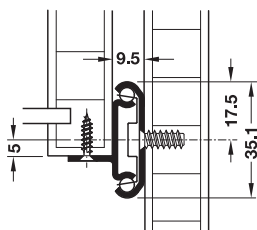


- > Area of application: For two-way travel drawers, for continuous front panels
- > Version: Hold-in device for holding in central position
- > Material: Steel
- > Finish: Galvanized
- > Dim.: Max. drawer width = internal cabinet width – 19 mm
- > Installation: At drawer, surface mounted

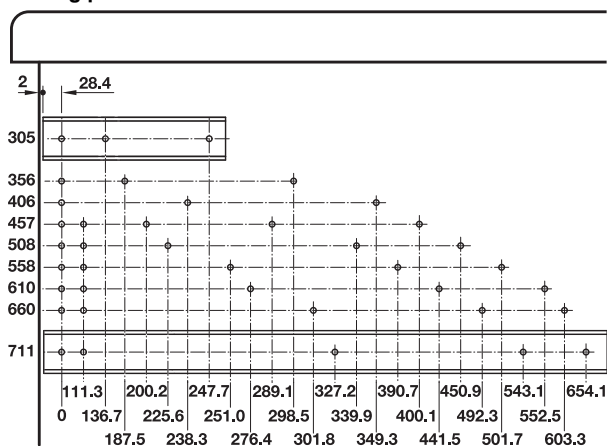
Note

Front panels must be notched for two-way travel drawers with continuous front panels.

Installation



Drilling pattern



Supplied with

- 1 Set of fixing material
- 1 Set of installation instructions

Nom. length mm	Installation length L mm	Extension length AL mm	Load bearing capacity kg	Cat. No.
300	305	221.5	35	422.15.310
350	356	272.3	35	422.15.360
400	406	297.7	35	422.15.410
450	457	323.1	35	422.15.458
500	508	373.9	32	422.15.501
550	558	399.3	31	422.15.556
600	610	424.7	29	422.15.609
700	711	500.9	24	422.15.711

Packing: 1 pair

Accuride 2026, single extension, two-way travel

Load bearing capacity up to 50 kg

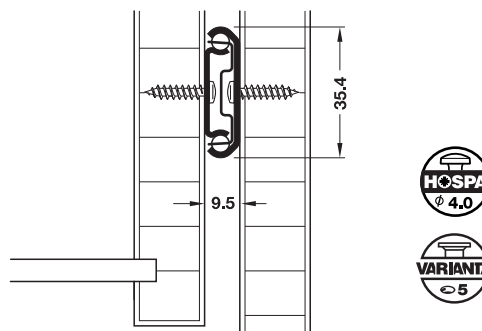


- > Area of application: For two-way travel drawers, for continuous front panels
- > Version: 2-way travel, hold-out device on both sides
- > Material: Steel
- > Finish: Galvanized
- > Dim.: Max. drawer width = internal cabinet width – 19 mm
- > Installation: At drawer, side mounted

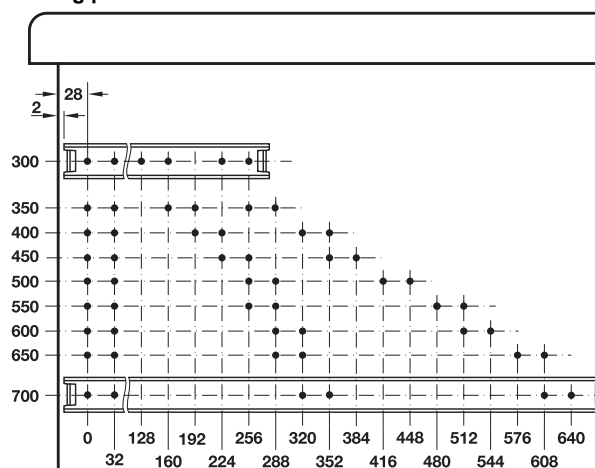
Note

Front panels must be notched for two-way travel drawers with continuous front panels.

Installation



Drilling pattern



Installation length L mm	Extension length AL mm	Load bearing capacity kg	Cat. No.
300	212	50	420.45.930
350	249	50	420.45.935
400	286	45	420.45.940
450	324	40	420.45.945
500	361	40	420.45.950
550	398	35	420.45.955
600	435	35	420.45.960
700	510	30	420.45.970

Packing: 1 pair

Information

► MB 9.265

DGH-M 2021, HDE-en, 11/20; Dimensional data not binding. We reserve the right to alter specifications without notice.



9

Ball Bearing Runners