

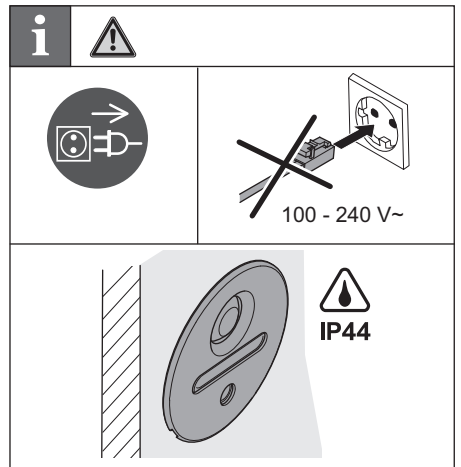
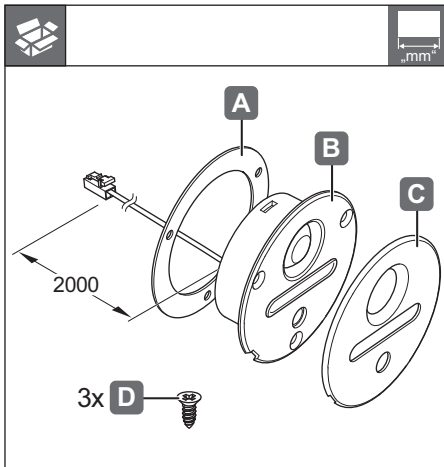


LED 2028

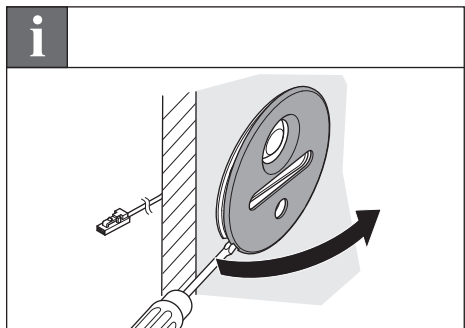
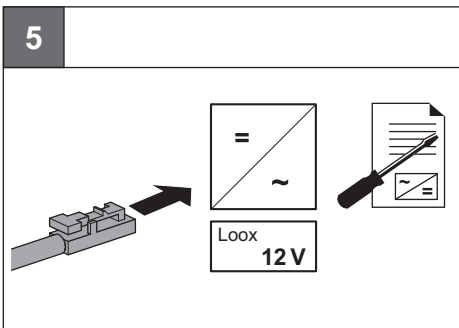
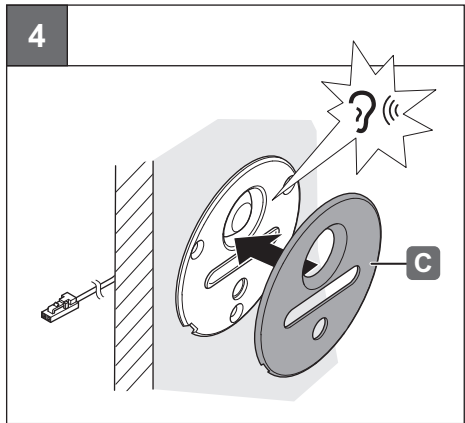
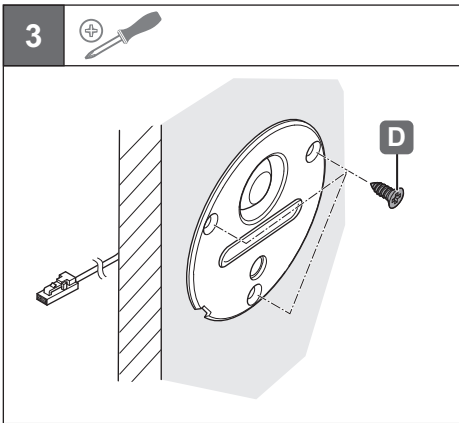
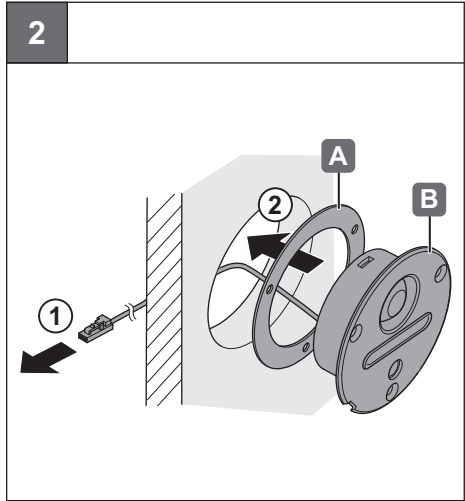
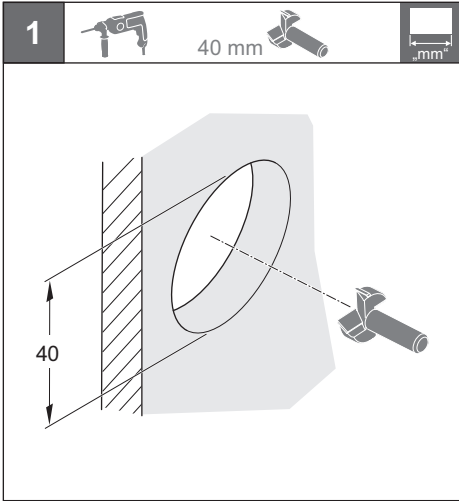
833.73.110
833.73.111

732.28.387

| | K | W | T_A | | | |
|------------|----------|----------|-----------------------------------|-------------|-------------|--|
| 833.73.110 | 2700 K | 0.34 W | -20 °C – +35 °C -4 °F – +95 °F | Ø 54 x 17.3 | Ø 64 x 27.3 | |
| 833.73.111 | | | | | | |



HDE 06/2015



732.28.387

HDE 06/2015