



## Häfele Teleletto Foldaway bed fitting

### Häfele's extensive range of high-quality foldaway bed fittings has something for everyone.

In micro-apartments, youth hostels, hotels/beds, guest rooms etc., the bed waits invisibly in the cabinet wall with the usual comfort and high design demands.

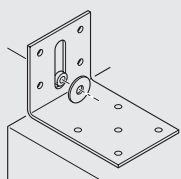
The bed, which is no longer needed, "disappears" into a cabinet in a space-saving way in an instant. In this way living rooms can be put to variable use.

Complete sets are available for standard dimensions and weights. If the weight of the bed or the dimensions differ, a customised configuration can be put together by Service+.

Single, double and queen-size beds are optionally available at [www.hafele.com.de](http://www.hafele.com.de).



The cabinet and the inset front panel with handle must be manufactured on site. Front mounting for screw fixing to the basic frame. The maximum possible mattress height is 23cm.



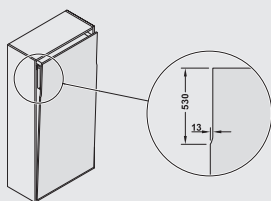
Built-in foldaway beds must always be secured to prevent tipping over in accordance with EN 1129. Ensure that the surface is suitable for attaching the securing brackets.

**Service+**  
Customised

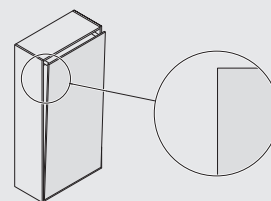
- > Compact delivery package: The longitudinal and cross profiles, which are packed in a compact way, are not screwed together into a frame until these are in the required mounting location
- > Optimised space requirement for storage and transport: the packaging provides protection against damage (e.g. in narrow stairwells)
- > Space-saving in residential areas: if the bed is not needed, it "disappears" into a cabinet  
Flexible use can therefore be made of living areas
- > Practical detail: the mattress is supported by the frame
- > An adjustable foot is not required for the 900 mm wide side-mounted bed
- > The bed/sofa combination allows the room to be used in multiple ways, with a comfortable lying area or a cosy seating area depending on requirements
- > The bed can be adapted to customer requirements in terms of functionality and design due to having a well thought-out modular system
- > Other RAL colours and dimensions are possible from quantities of a single item



## Design options for the feet



Front panel, when using the **angular foot**: with notch in the front panel or straight shadow gap. The angular foot extends automatically due to gravity.



Front panel, when using the **stirrup foot**: without notch in front panel. The stirrup foot is extended manually.

## Häfele Teleletto foldaway bed fitting complete sets

The Teleletto foldaway bed fitting is available as a complete set in the variants Style, Comfort and Exclusive and adapted to the wide range of customer requirements. The difference between the equipment lines lies in the design with either resilient wooden slats (Style), a rigid slatted frame including mattress (Comfort) or a slatted frame with adjustable head and foot section including mattress (Exclusive)."

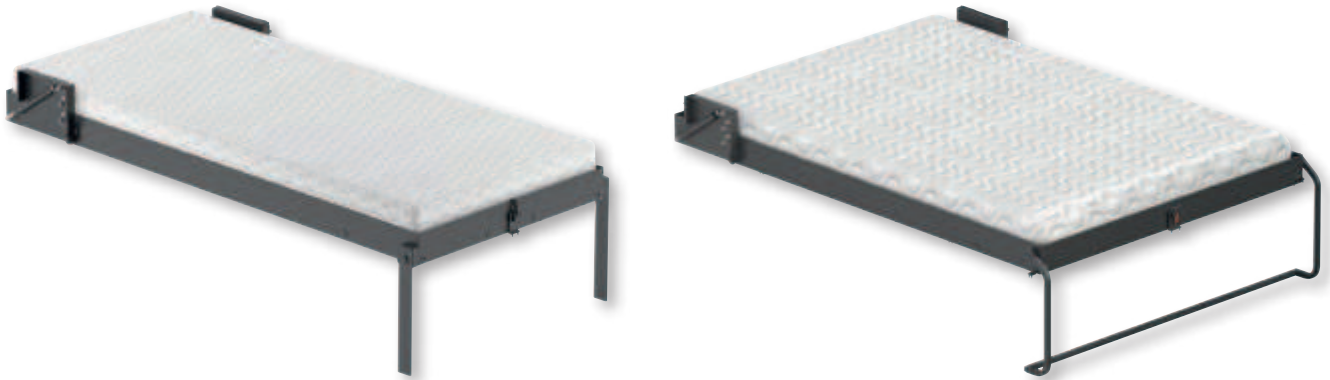
### Häfele Teleletto Style

► MB 8.110



### Häfele Teleletto Comfort/Exclusive

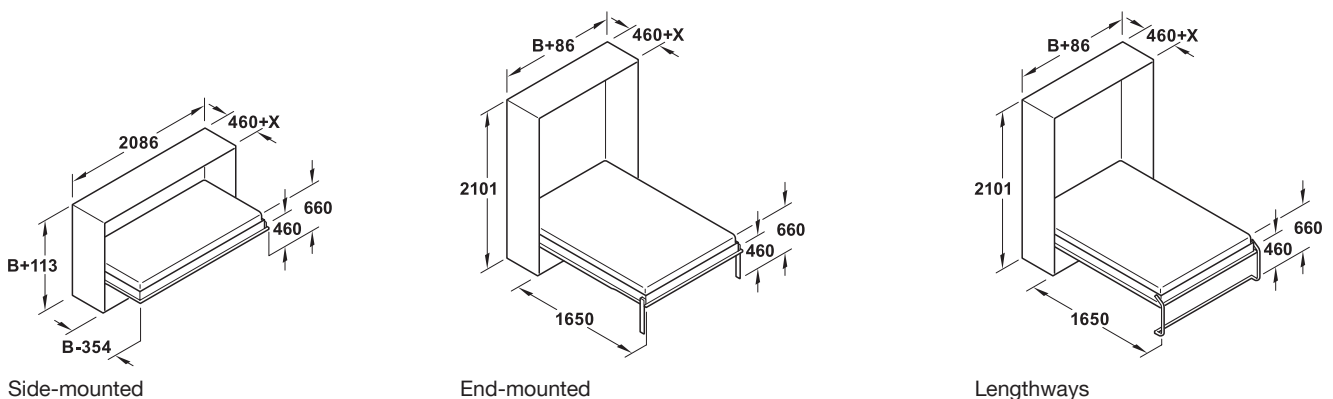
► MB 8.111



With self-adjusting folding foot and notch in front panel

With stirrup foot without notch in front panel

## → Installation dimensions



B = mattress width

X = optional cabinet depth increase for additional space requirements, e.g. for head parts, upholstery, shelves and higher mattresses

The specified cabinet dimensions are internal cabinet dimensions.

The specified internal cabinet depth provides room for a maximum mattress height of 23 cm and 17 cm of bedding.

DGH-M 2021, HDE-en, 11/20; Dimensional data not binding. We reserve the right to alter specifications without notice.

### Häfele Teleletto Foldaway bed fitting complete set

- > Area of application: For inset front panel
- > Version: Mechanical opening using gas-filled struts
- > Material: Basic frame and angular feet: Steel, slatted frame: Laminated wood
- > Finish/colour: Resilient wooden slats: Untreated, basic frame: Graphite black, RAL 9011
- > Installation: Foldaway fitting for screw fixing inside the cabinet and to basic frame, basic frame, angular feet and bedding strap for screw fixing
- > Load bearing capacity: Fitting: 300 kg

#### Note

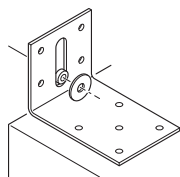
The gas-filled struts of the complete set are designed in accordance with the weight of the Häfele items and the construction recommendation, as per the installation instructions.

The 2,000 x 900 mm side-mounted bed version does not require adjustable feet, and they are therefore excluded from the scope of delivery. Adjustable feet or stirrup feet are required for all other types of bed.

The maximum possible mattress height is 23 cm.

A centre bar is available from queen size or 1,600 mm.

Photos for side mounted beds can be found at [www.hafele.com](http://www.hafele.com)



Built-in foldaway beds must always be secured to prevent tipping over in accordance with EN 1129. Ensure that the surface is suitable for attaching the securing brackets.

#### Note concerning weight of bed

Bed weight = total weight of foldaway bed fitting, slatted frame, front panel, adjustable foot, mattress and bedding

### → Häfele Teleletto Style



#### Supplied with

- 1 basic frame
- 2 gas-filled struts
- 1 set of resilient wooden slats and pockets
- 1 locking mechanism set (side-mounted beds only)
- 2 mechanism covers
- 1 bedding strap
- Securing bracket
- Adjustable foot in accordance with version

For mattress size (W x L) mm	Bed weight kg	Spring force N	With angular foot	With stirrup foot	Floating (without feet)
<b>End mounted beds</b>					
900 x 2000	60–75	800	271.91.500	271.91.530	–
1400 x 2000	85–95	1100	271.91.503	271.91.531	–
1600 x 2000	100–110	1250	271.91.520	271.91.532	–
1800 x 2000	110–125	1400	271.91.521	271.91.533	–
2000 x 2000	125–130	1600	271.91.522	271.91.534	–
<b>Side mounted beds</b>					
2000 x 900	35–90	50	–	–	271.91.550
2000 x 1000	35–90	50	271.91.570	271.91.573	–
2000 x 1400	70–95	550	271.91.551	271.91.574	–
2000 x 1600	80–100	800	271.91.571	271.91.575	–
2000 x 1800	100–115	1200	271.91.572	271.91.576	–

Packing: 1 set

→ Häfele Teleletto Comfort



**Supplied with**

- 1 basic frame
- 2 gas-filled struts
- 1 slatted frame without adjustable head and foot sections - Sanobasic NV  
(2 x slatted frames from 1600 x 2000 mm end-mounted/side-mounted)
- 2 mechanism covers
- 1 bedding strap
- Securing bracket
- 1 mattress for foldaway beds (2 mattresses with 2000 x 2000 mm)
- Adjustable foot depending on version

For mattress size (W x L) mm	Bed weight kg	Spring force N	With angular foot	With stirrup foot	Floating (without feet)
<b>End mounted beds</b>					
900 x 2000	60–75	800	271.91.501	271.91.010	–
1400 x 2000	95–100	1200	271.91.504	271.91.011	–
1600 x 2000	100–110	1250	271.91.000	271.91.012	–
1800 x 2000	110–125	1400	271.91.001	271.91.013	–
2000 x 2000	125–130	1600	271.91.002	271.91.014	–
<b>Side mounted beds</b>					
2000 x 900	35–90	50	–	–	271.91.552
2000 x 1000	35–90	50	271.91.030	271.91.040	–
2000 x 1400	70–95	550	271.91.553	271.91.041	–

Packing: 1 set

→ Häfele Teleletto Exclusive



**Supplied with**

- 1 basic frame
- 2 gas-filled struts
- 1 slatted frame with adjustable head and foot sections - Sanobasic KF  
(2 x slatted frames from 1600 x 2000 mm end-mounted/side-mounted)
- 2 mechanism covers
- 1 bedding strap
- Securing bracket
- 1 mattress for foldaway beds (2 mattresses with 2000 x 2000 mm)
- Adjustable foot depending on version

For mattress size (W x L) mm	Bed weight kg	Spring force N	With angular foot	With stirrup foot	Floating (without feet)
<b>End mounted beds</b>					
900 x 2000	60–75	800	271.91.502	271.91.070	–
1400 x 2000	95–100	1200	271.91.505	271.91.071	–
1600 x 2000	100–110	1250	271.91.060	271.91.072	–
1800 x 2000	110–125	1400	271.91.061	271.91.073	–
2000 x 2000	125–130	1600	271.91.062	271.91.074	–
<b>Side mounted beds</b>					
2000 x 900	35–90	50	–	–	271.91.554
2000 x 1000	35–90	50	271.91.090	271.91.095	–
2000 x 1400	70–95	550	271.91.555	271.91.096	–

Packing: 1 set

DGH-M 2021, HDE-en, 11/20; Dimensional data not binding. We reserve the right to alter specifications without notice.

Häfele Teleletto sofa	► MB 8.112
Häfele Teleletto foldaway bed fitting individual components	► MB 8.113 C
Mattresses	► MB 8.133
Mattress protector	► MB 8.133