

4



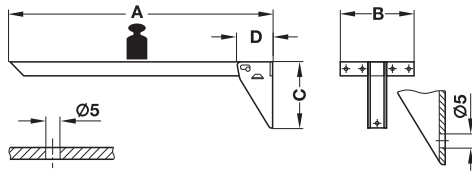
Shelf Supports

Bracket with load bearing capacity of 100 kg per pair

Folding



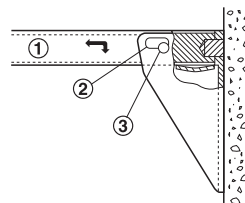
- > Material: Steel
- > Load bearing capacity: 50 kg per piece, tested to DIN EN 16337:2013-08 with 2.5 kg plate for impact test, i.e. 100 kg load bearing capacity with surface load and 2 supports
- > Version: With locking mechanism



Fixing holes for board

Fixing holes for wall mounting

Functionality



- ① Folding support arm
- ② Pivot aperture
- ③ Locking pin

To raise bracket lift support arm and push in.
To fold down bracket lift support arm and pull forward.

Dim. A mm	Dim. B mm	Dim. C mm	Dim. D mm	Brown coated
360	140	120	64	287.48.110
460	140	120	64	287.48.129
560	140	120	64	287.48.138
660	140	120	64	287.48.147

Packing: 2 pieces

Note

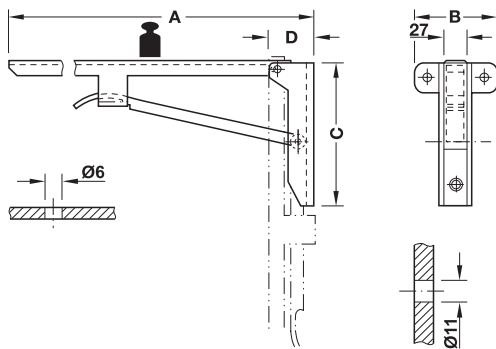
max. distance between two shelf supports: 600 mm.
The specified load bearing capacity applies only with even load distribution (surface load) and proper and reliable attachment to the wall.

Hebgo Bracket with load bearing capacity of 500 kg per pair

Folding



- > Material: Steel
- > Load bearing capacity: 250 kg per piece, tested to DIN EN 16337:2013-08 with 2.5 kg plate for impact test, i.e. 500 kg load bearing capacity with surface load and 2 supports, shelf size must suit the respective bracket
- > Version: With locking mechanism



Fixing holes for board

Fixing holes for wall mounting

Functionality

To raise bracket lift support arm and allow to engage automatically.
To fold down bracket slightly lift support arm and release locking mechanism.

Note

- > Only use in pairs.
- > Tested distance between two brackets: 800–900 mm

Dim. A mm	Dim. B mm	Dim. C mm	Dim. D mm	Grey primed
420	115	180	60	287.43.400
480	115	180	60	287.43.419
580	115	220	60	287.43.428
680	115	220	60	287.43.437
780	115	220	60	287.43.446

Packing: 1 piece

Note

The specified load bearing capacity applies only with even load distribution (surface load) and proper and reliable attachment to the wall.

DGH-M 2021, HDE-en, 11/20; Dimensional data not binding. We reserve the right to alter specifications without notice.