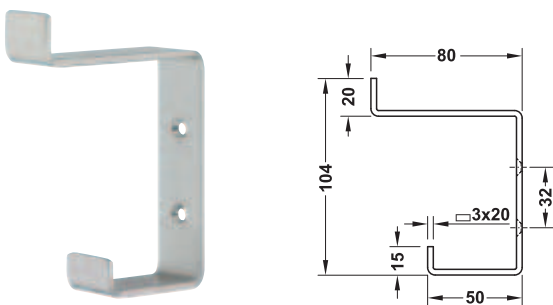


- > Material: Stainless steel, quality 1.4301
- > Finish: Satin brushed
- > Fixing material supplied (chipboard screws Ø 3.5 x 40 mm)

Width A mm	Depth B mm	Height C mm	Cat. No.
Coat hook			
20	44	60	842.34.050
Hat and coat hook			
20	72	140	842.34.000

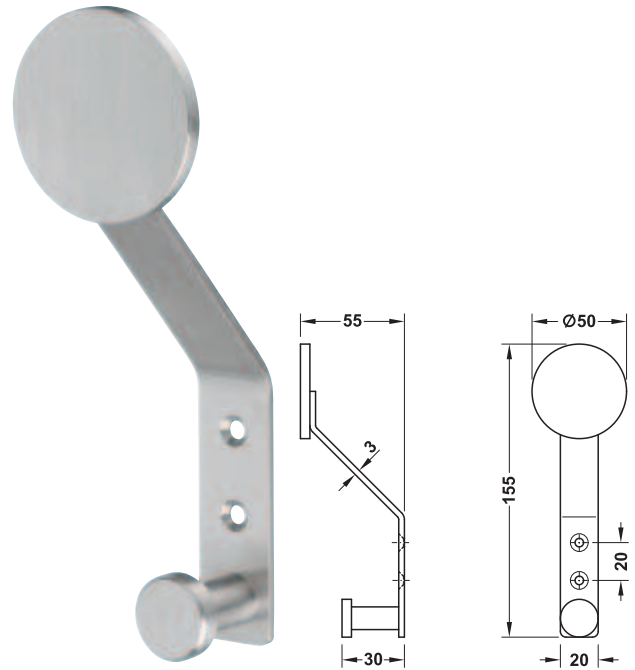
Packing: 1 piece



- > Material: Stainless steel, quality 1.4301
- > Finish: Satin brushed
- > Fixing material supplied (chipboard screws Ø 3.5 x 40 mm)

Width A mm	Depth B mm	Height C mm	Cat. No.
20	80	104	842.34.020

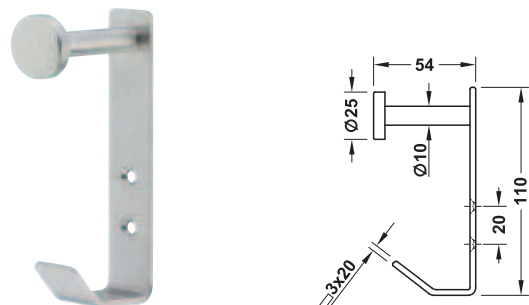
Packing: 1 piece



- > Material: Stainless steel, quality 1.4305
- > Finish: Satin brushed
- > Fixing material supplied (chipboard screws Ø 3.5 x 40 mm)

Width A mm	Depth B mm	Height C mm	Cat. No.
20	55	155	844.70.000

Packing: 1 piece



- > Material: Stainless steel, quality 1.4305
- > Finish: Satin brushed
- > Fixing material supplied (chipboard screws Ø 3.5 x 40 mm)

Width A mm	Depth B mm	Height C mm	Cat. No.
20	54	110	842.34.010

Packing: 1 piece