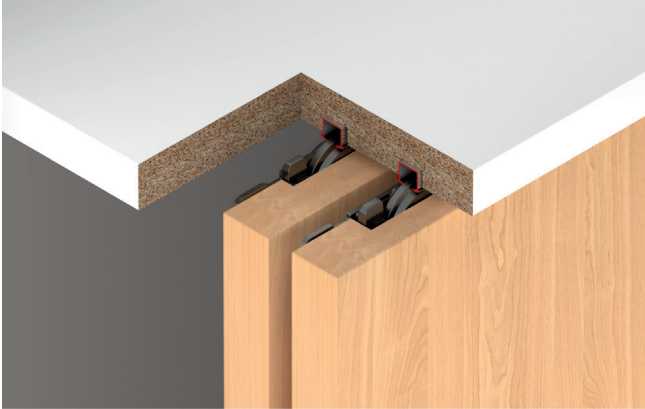


Häfele Slido F-Line18 50A



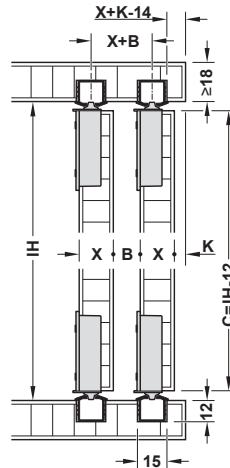
- > Soft closing mechanism integrated in the running track
- > Surface-mounted or recess-mounted installation of the running gears and running and guide tracks



- > For door thickness: ≥ 16 mm for recess-mounted installation
- > For door width: ≥ 380 mm with soft and self closing mechanism on both sides
- > For door weight: ≤ 50 kg
- > Running position: Bottom
- > Number of rollers: 1
- > Running gear bearing: Ball bearing
- > Height adjustment: ≥ 4 mm
- > Material: Rollers: Plastic, Axle: Steel
- > Mounting: For surface-mounted or recess-mounted installation of the running gears and the running and guide tracks, for aluminium frames from 42 mm in width

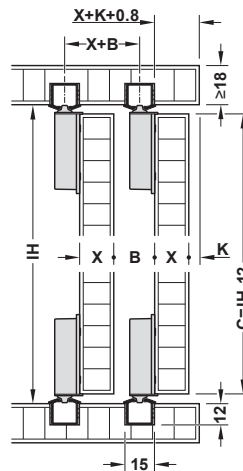
Installation dimensions

Recess mounted



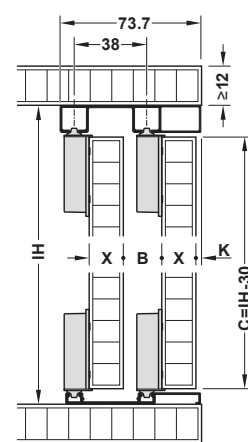
- $B \geq 6$ mm
- C = Door height
- IH = Internal cabinet height
- K = Door recess

Surface mounted



Running track for grooving, press fitting and glue fixing

- $B \geq 18$ mm
- C = Door height
- IH = Internal cabinet height
- K = Door recess

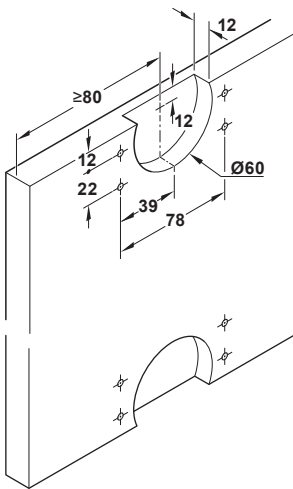


Running track for screw fixing

- $X \leq 20$ mm
- K = 20 mm - X
- C = Door height
- IH = Internal cabinet height

Note
The minimum door thickness differs for the different installation variants. Please note the installation drawings and the installation instructions!

Drilling pattern



→ Set without tracks

Number of door leaves per set	Version	Supplied with	For door width mm	Cat. No.
1	With soft and self closing mechanism on both sides	4 Running gears (2 top and 2 bottom) 4 End caps for recessed track 2 Soft and self closing mechanism 20 Fixing screws 2 Hex key	≥380 mm	401.30.017
2	With soft and self closing mechanism on both sides	8 Running gears (4 top and 4 bottom) 8 End caps for recessed track 4 Soft and self closing mechanism 40 Fixing screws 2 Hex key	≥380 mm	401.30.016

Packing: 1 set

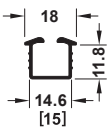
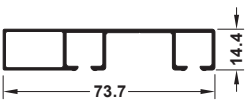
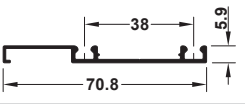

Order reference

The running and guide tracks are not included in the set. Please order separately.

For 3 door leaves, please order one set for 1 door leaf and one set for 2 door leaves.

With 3-door cabinets, the two rear door leaves can only be equipped with soft and self closing mechanisms on one side.

→ Tracks and accessories for retrofitting

		Material	Colour/finish	Length m	Cat. No.
Running and guide track, single running, for groove mounting, press fitting and glue fixing		Aluminium	Silver coloured anodized	2.5 3.5	401.30.609 401.30.610
Double guide track, non-perforated for screw fixing for sliding into soft and self closing mechanism		Aluminium	Silver coloured anodized	2.5 3.5	401.30.611 401.30.613
Double running track, non-perforated for screw fixing		Aluminium	Silver coloured anodized	2.5 3.5	401.30.614 401.30.615
Soft and self closing mechanism for clamp fixing in running track		Plastic, Steel	Grey	–	401.30.341

Packing: 1 piece