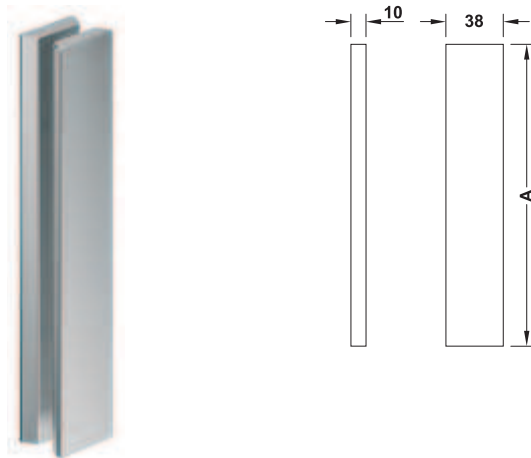


Versions with satin frosted glass (e.g. laser engraved, etched, sandblasted) in combination with sealed surfaces may reduce the adhesion strength. In this case we recommend our glass gluing technique.



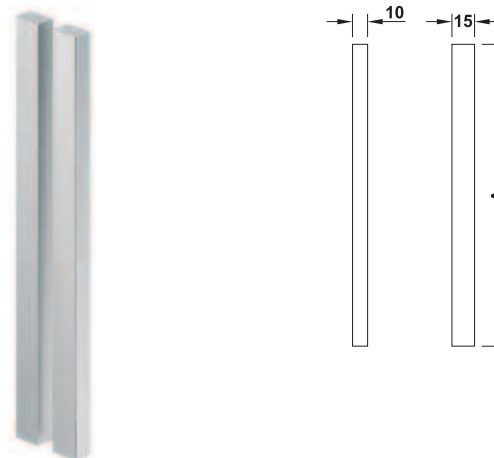
Handle, two-sided installation



- > Area of application: For glass doors
- > Material: Aluminium
- > Installation: For sticking on, double-sided adhesive tape is pre-fixed

Dim. A mm	Width mm	Thickness mm	Finish	Cat. No.
200	38	10	Silver coloured anodized	905.01.141
			Stainless steel coloured anodized	905.01.140
			Black anodized	905.01.144
400	38	10	Silver coloured anodized	905.01.151
			Stainless steel coloured anodized	905.01.150
			Black anodized	905.01.154

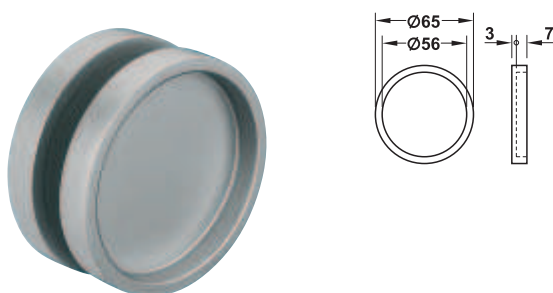
Handle, two-sided installation



- > Area of application: For glass doors (only suitable for clear glass, not suitable for satin frosted glass)
- > Material: Aluminium
- > Installation: For sticking on, double-sided adhesive tape is pre-fixed

Dim. A mm	Width mm	Thickness mm	Finish	Cat. No.
200	10	15	Silver coloured anodized	905.01.161
			Stainless steel coloured anodized	905.01.160
			Black anodized	905.01.164
400	10	15	Silver coloured anodized	905.01.171
			Stainless steel coloured anodized	905.01.170
			Black anodized	905.01.174

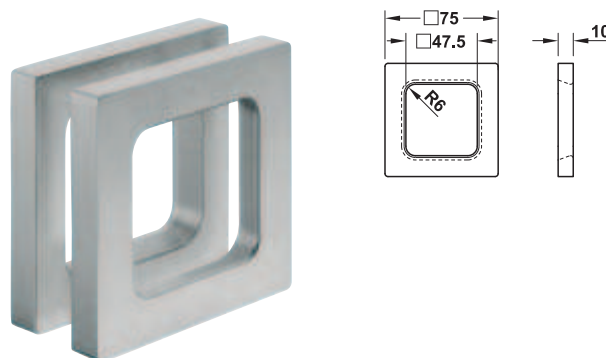
Flush pull handle, two-sided installation, round



- > Area of application: For glass doors
- > Material: Aluminium
- > Installation: For sticking on, double-sided adhesive tape is pre-fixed

Thickness mm	Diameter mm	Finish	Cat. No.
10	65	Silver coloured anodized	904.00.011
		Stainless steel coloured anodized	904.00.010
		Black anodized	904.00.123

Flush pull handle, two-sided installation, square



- > Area of application: For glass doors
- > Material: Aluminium
- > Installation: For sticking on, double-sided adhesive tape is pre-fixed

Width mm	Height mm	Thickness mm	Finish	Cat. No.
75	75	10	Silver coloured anodized	904.00.021
			Stainless steel coloured anodized	904.00.020
			Black anodized	904.00.023

DGH-B-INT 2019, HDE-en, 12/18; Dimensional data not binding. We reserve the right to alter specifications without notice.